



CARE INSTRUCTIONS

Some advice on cleaning your lamp:
Wipe the parts with a damp cloth soaked in warm water and a bit of mild detergent. Use only soft cloth for wiping and polishing, never sponges or steel wool. Do not use abrasive household cleaners. Do not use acidic or alkaline cleaning materials, glass cleaner or household ammonia.

TROUBLESHOOTING

If lamp does not light, turn off the power. Check the bulb for a broken filament. Replace bulb if necessary, then turn it on.
If the lamp still does not light, please contact customer service at the local dealer.
If the external flexible cable or cord of this lamp is damaged, it must be replaced by a qualified electrician in order to avoid a hazard.

TECHNICAL INFORMATION

Light sources: E26, max. 1x57W halogen bulb. Turn power off when changing light bulb. Isolation class II. The lamp is not approved for outdoor use or use in damp/wet rooms (IP20).

SAFETY INSTRUCTIONS

SAFETY INSTRUCTIONS PERTAINING TO RISK OF FIRE, ELECTRIC SHOCK, OR PERSONAL INJURY!

WARNING: Lighted bulb gets HOT! Do not touch while on.

CAUTION: Keep lamp away from curtains, bedding linens, and any other flammable materials. Do not look directly at lighted bulb. Turn off / unplug and allow lamp to cool before replacing bulb, cleaning or other maintenance. Do not use in the bathroom or damp places.

CAUTION: TO REDUCE THE RISK OF FIRE, USE ONLY TYPE A BULB, MAX. 75 WATT, E26, 120V 60Hz AC ONLY.

Do not exceed recommended wattage.

CAUTION! IMPORTANT: LAMP MUST BE INSTALLED BY A QUALIFIED ELECTRICIAN!



GUBI A/S

FOR MORE INFORMATION

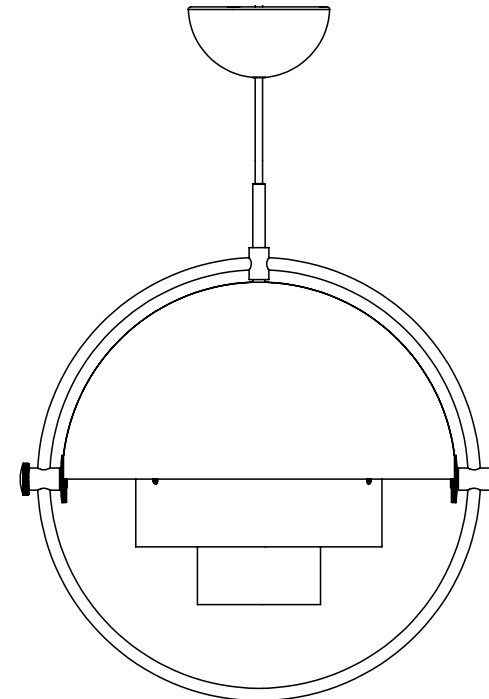
GUBI.COM

GUBI

ASSEMBLY INSTRUCTIONS

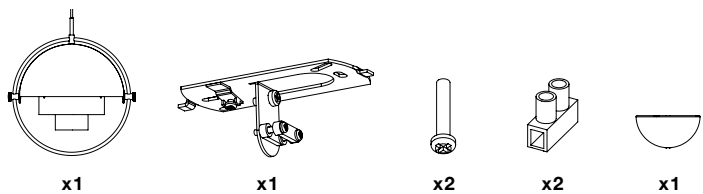
for

MULTI-LITE PENDANT



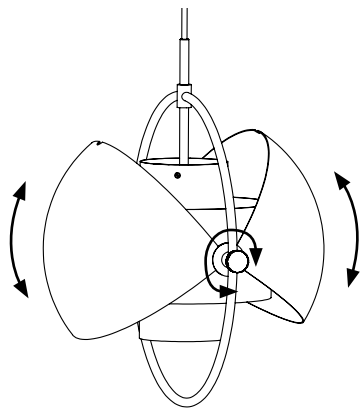
CONTENTS.

MULTI-LITE PENDANT



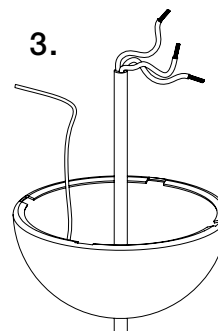
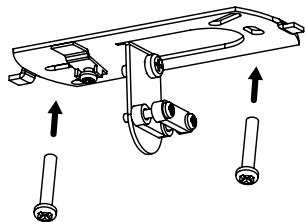
1.

The half-shades can be moved, and tightened by turning the fixing screw.



2.

Attach the ceiling bracket to the ceiling where the mains voltage exits.

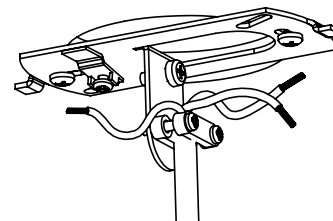


3.

4.

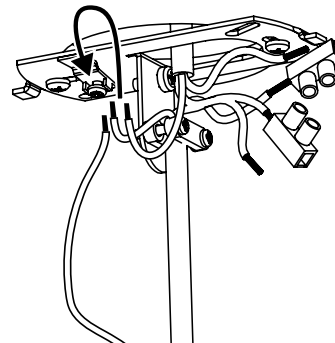
Find the desired length of cable and cut off the outer isolation.

Mount the cable in the cable clamp.



5.

Connect lamp wires to the supply wires. Be sure to connect all grounding wires (green) to the same wirenut.



6.

Place canopy on ceiling bracket and twist approx. 5 - 20 degrees.

