



CARE INSTRUCTIONS

Daily cleaning can be done by wiping the frame with a clean dry cloth. Should the surface need more attention this can be cleaned with water and a light detergent or soap applied with a damp cloth. Wipe after with a clean dry cloth. Avoid any abrasive materials.

TROUBLESHOOTING

If lamp does not light, turn off the power. Check the bulb for a broken filament. Replace bulb if necessary, then turn it on. If the lamp still does not light, please contact customer service at the local dealer. If the external flexible cable or cord of this lamp is damaged, it must be replaced by a qualified electrician in order to avoid a hazard.

TECHNICAL INFORMATION

Light sources: E26, 810 Lumen
(≤ 40W Incandescent, ≤30W Halogen, ~8-10W LED Dimmable).
Turn power off when changing light bulb. Isolation class II. The lamp is not approved for outdoor use or use in damp/wet rooms (IP20).

SAFETY INSTRUCTIONS

SAFETY INSTRUCTIONS PERTAINING TO RISK OF FIRE,
ELECTRIC SHOCK, OR PERSONAL INJURY!

WARNING: Lighted bulb gets HOT! Do not touch while on.

CAUTION: Keep lamp away from curtains, bedding linens, and any other flammable materials. Do not look directly at lighted bulb. Turn off / unplug and allow lamp to cool before replacing bulb, cleaning or other maintenance. Do not use in the bathroom or damp places.

CAUTION: TO REDUCE THE RISK OF FIRE, USE ONLY TYPE A BULB,
MAX. 40 WATT, E26, 120V 60Hz AC ONLY.

Do not exceed recommended wattage.

CAUTION! IMPORTANT: LAMP MUST BE INSTALLED
BY A QUALIFIED ELECTRICIAN!



For enquiries contact GUBI A/S - CVR: 17940384
Klubiensvej 7-9. 2150 Nordhavn. Copenhagen, Denmark

T +45 69 15 60 60 – order@gubi.com

GUBI.COM

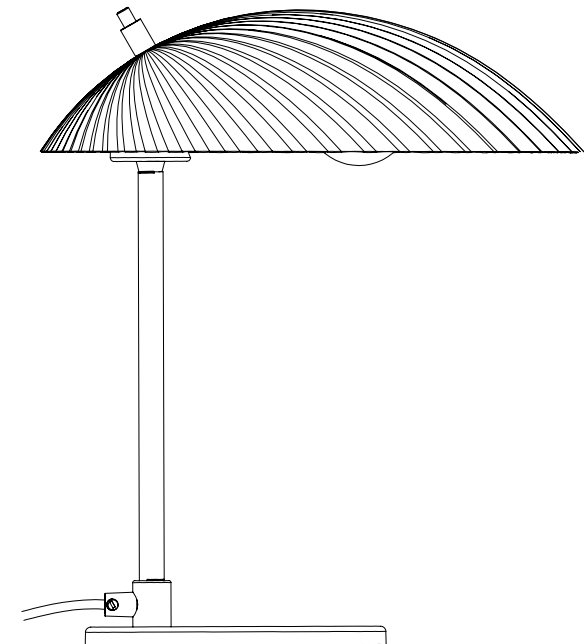
64-20-005-03 5321 Table Lamp Assembly Instructions US.

GUBI

ASSEMBLY INSTRUCTIONS

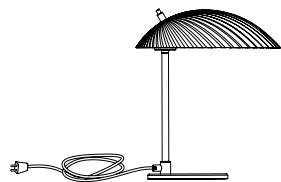
for

5321 Table Lamp



CONTENTS

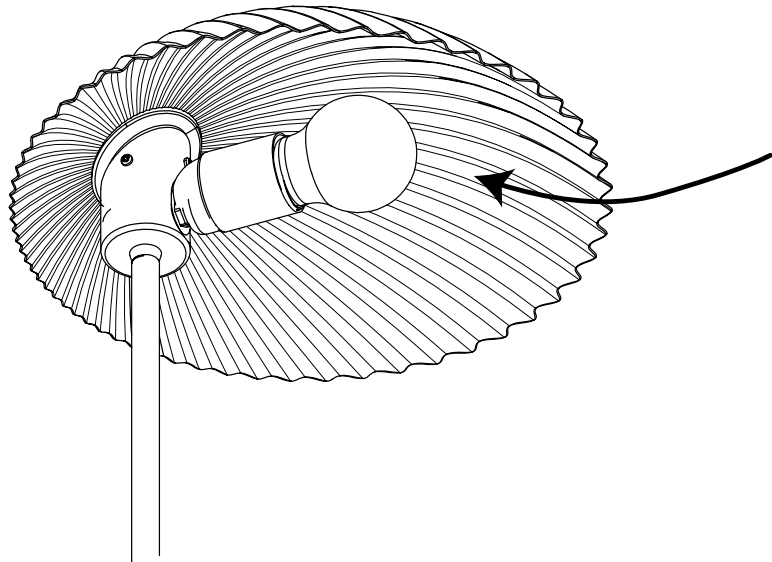
5321 Table Lamp



x1

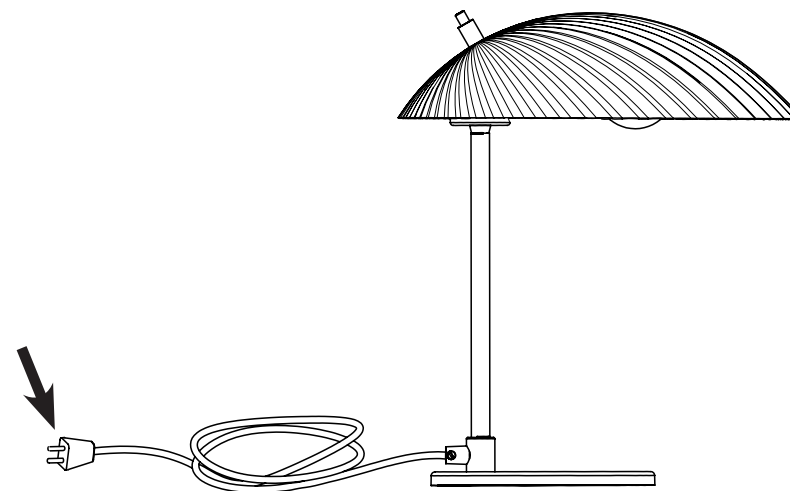
1.

Insert a light bulb from underneath.



2.

Plug the lamp into main voltage.



3.

Use the switch to turn the lamp on and off.

