



CARE INSTRUCTIONS

Daily cleaning can be done by wiping the frame with a clean dry cloth. Should the surface need more attention this can be cleaned with water and a light detergent or soap applied with a damp cloth. Wipe after with a clean dry cloth. Avoid any abrasive materials

保养说明

日常清洁可以用干净的干布擦拭表面。如果表面需要更多的清洁，可以用水和轻洗涤剂或肥皂用湿布清洗。用干净的干布擦拭。避免使用任何粗糙、容易擦伤产品表面的材料

TROUBLESHOOTING

Warning: the installation shall be carried out by an electrician or electrically skilled person such that the basic insulated fixed wiring have to be prepared with supplementary insulation before the luminare can be connected.

故障维修

提醒:安装应由电工或电气技术人员进行，确保产品安装后满足加强绝缘等级。

TECHNICAL INFORMATION

规格资讯

LED 2.5 W Integrated - Input DC 5V - 1.000 MAh
Energy Class F
Suittable for wet location use (IP44)

LED 2.5 W Integrated - Input DC 5V - 1.000 MAh
能源等级 F
适用于潮湿场所(IP44)

IMPORTANT SAFETY INSTRUCTIONS

重要安全事项

ENVIRONMENTAL PROTECTION

Electrical products must be thrown out with domestic waste. They must be taken to a communal collecting point for environmentally friendly disposal in accordance with local regulations. Contact your local authorities or retailer for advice on recycling. The packaging material is recyclable. Dispose of the packaging in an environmentally friendly manner and make it available for recyclable material collection-service. Do not incinerate.

环境保护

电器产品必须和生活垃圾一起扔掉。它们必须被带到一个公共收集点，按照当地法规进行环保处理。向当地政府或零售商咨询有关回收的建议。包装材料可循环使用。以环保的方式处置包装，并使其可回收材料收集服务。不可焚烧。



For enquiries contact GUBI A/S - CVR: 17940384

Klubiensvej 7-9, 2150 Nordhavn, Copenhagen, Denmark

T +45 69 15 60 60 – order@gubi.com

GUBI.COM

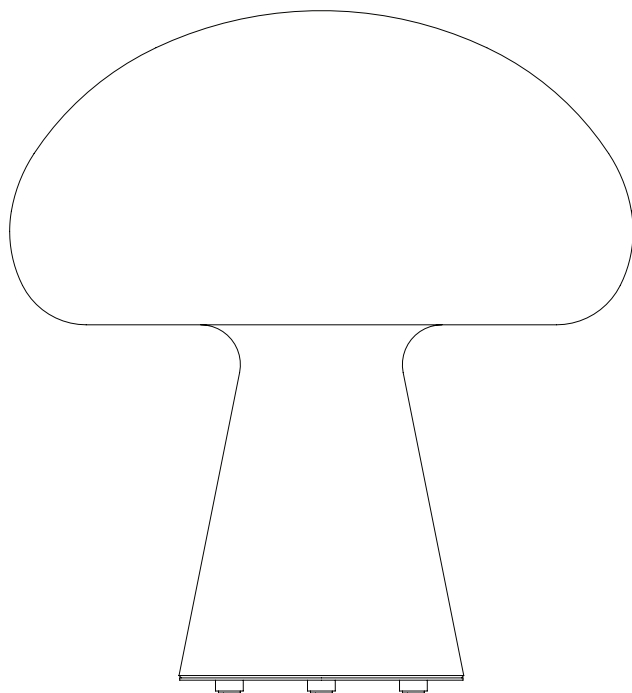
GUBI

ASSEMBLY INSTRUCTIONS 安

装说明

for/pour

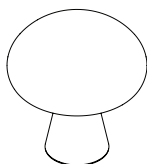
Obello Lamp



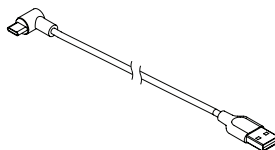
CONTENTS

安装说明

物品



x1

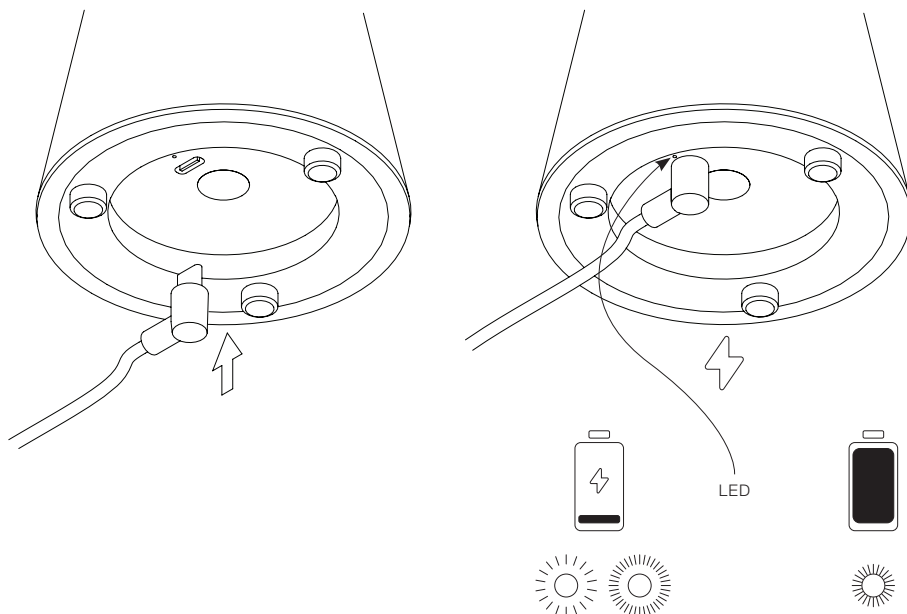


x1

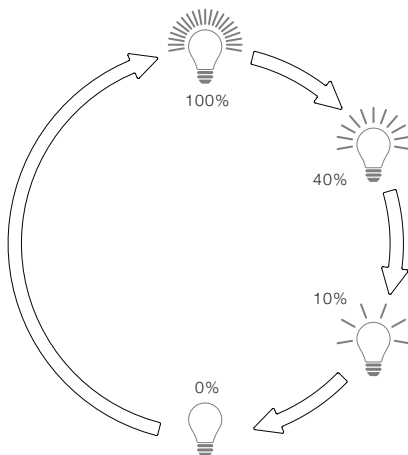
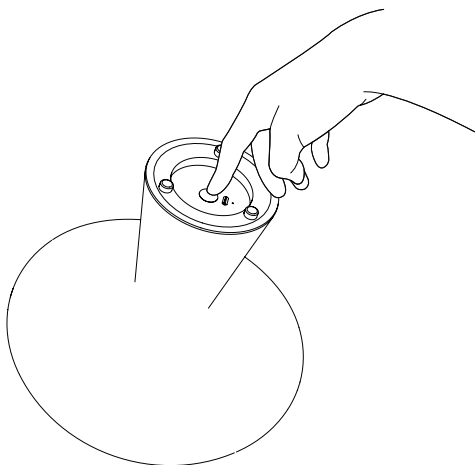
1. Caution: Please plug the USB-C electrical cable using a USB recharger (example: like a Phone charger) (a) with 5V and min 1.000 mAh of power (Charger not included) (b) (c) LED indicator will pulse while charging, when charge is complete the LED indicator will stop pulsing. Please remove charging cable after full charge. Lamp can be activated while USB cable is connected.

注意: 请使用USB充电器(如手机充电器)插入USB-c电缆(a) 5V和最小1.000毫安时(充电器不包括在内)(b) (c)充电时LED指示灯闪烁, 充电完成后LED指示灯停止闪烁。充满电后请拔掉充电线。当连接USB线时, 灯可以激活。

a)



2. First touch ON - light intensity 100%, second touch light intensity 40%, third touch light intensity 10%, fourth touch OFF
 第一次触控，灯亮灯亮度100%；第二次触控，灯亮度40%；第三次触控灯亮度10%；第四次触控，关机。



3. During the use: When the battery reach the 20% the Lights will flash twice and to save energy the intensity will be reduce to 40%, when the battery will reach only 10% of autonomy the light will flash twice again and the light can still dimmable only between 40% and 10%. When the battery power drops under 10% : every 10 minutes continuous flashing 2 times; still maintain dimming function: 40%-10%- Off - On.

当电池电量剩余20%时，灯会闪2次，之后将降低到40%，当电池达到只有10%时，灯将再次闪两次，此时灯光可控制的亮度只能在40%与10%之间。当电池电量下降10%以下时，每10分钟连续闪烁2次；仍保持调光功能：40%-10%-关-开。

