



#### CARE INSTRUCTIONS

Wipe the parts with a damp cloth soaked in warm water and a bit of mild detergent. Use only soft cloth for wiping and polishing, never sponges or steel wool. Do not use abrasive household cleaners. Do not use acidic or alkaline cleaning materials, glass cleaner or household ammonia. For attachment directly on the wall see step 1-2-3.

#### TECHNICAL INFORMATION

Light source: E14, max. 1x40W incandescent or 1x30W halogen bulb or LED max 400 lumens. Turn power off when changing light bulb. Isolation class II. The lamp is not approved for outdoor use or use in damp/wet rooms (IP20).

#### TROUBLESHOOTING

If lamp does not light, turn off the power. Check the bulb for a broken filament. Replace bulb if necessary, then turn it on. If the lamp still does not light, please contact customer service at the local dealer. If the external flexible cable or cord of this lamp is damaged, it must be replaced by a qualified electrician in order to avoid a hazard.

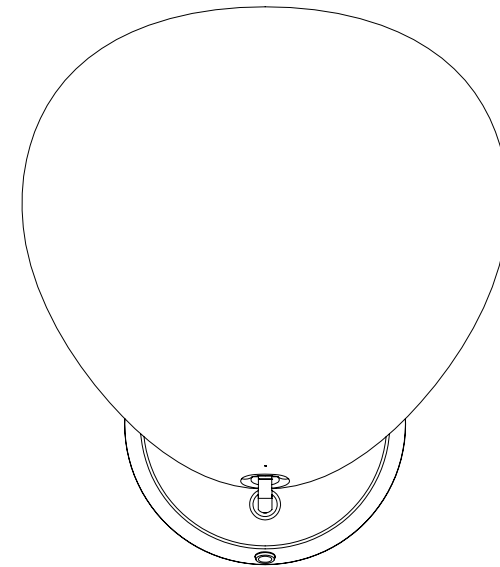


For enquiries contact GUBI A/S - CVR: 17940384  
Klubiensvej 7-9. 2150 Nordhavn. Copenhagen, Denmark  
T +45 69 15 60 60 – [order@gubi.dk](mailto:order@gubi.dk)  
GUBI.COM

52-20-007-03 Assembly Instructions for Cobra Wall Lamp EU.

# GUBI

## ASSEMBLY INSTRUCTIONS *for* COBRA WALL LAMP



### CONTENTS

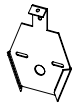
### COBRA WALL LAMP



x1



x1



x1



x2



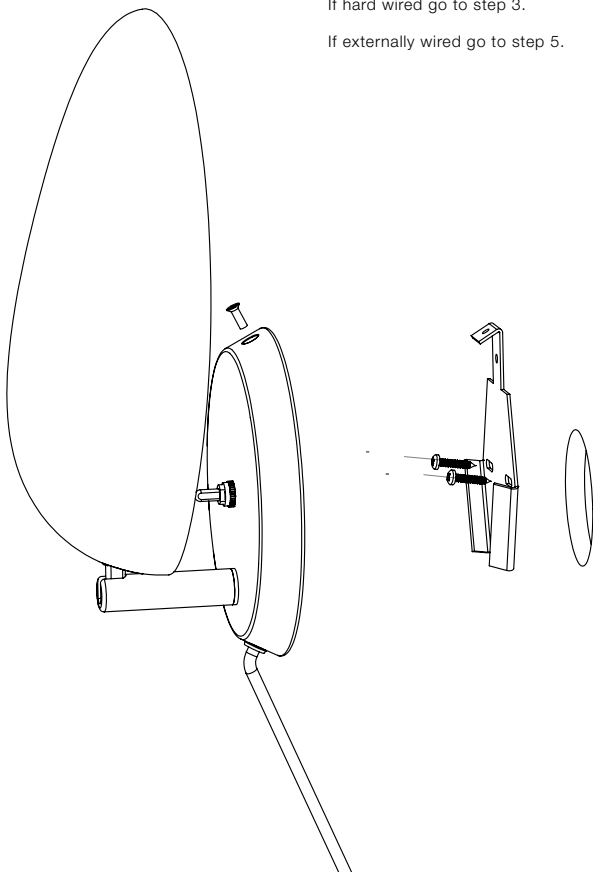
x1



x2

### 1.

Loosen screw to release wall bracket.



### 2.

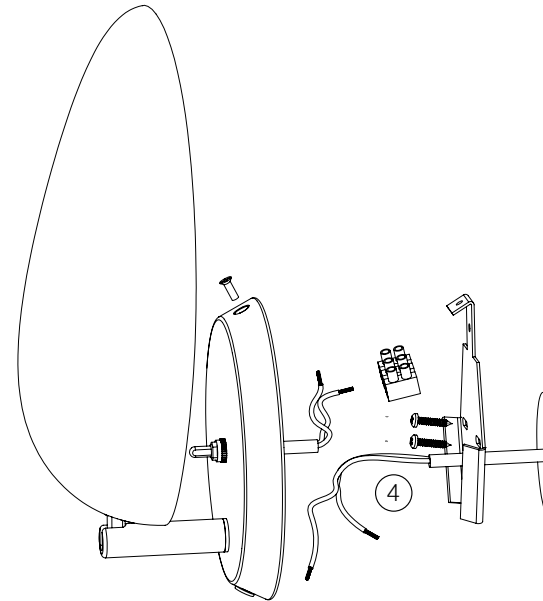
Attach wall bracket with screws on the wall.

If hard wired go to step 3.

If externally wired go to step 5.

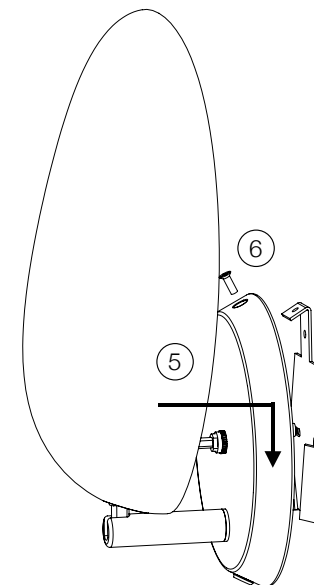
### 3.

Place back plate on top of supply cable exit.



### 4.

Connect lamp wires to the supply wires.



### 5.

Tuck wires carefully inside the base of the lamp and place the lamp on the wall bracket.

### 6.

Fasten screw and lock the lamp to the wall. Be careful not to squeeze any wires between the edge of the lamp and the wall as well as inside the lamp base.

### 7.

Place light bulb in lamp and turn the power on.