

INSTALLATION INSTRUCTIONS

Drift

PD-58738 / PD-58756 / PD-58784 /
PD-58738F / PD-58756F / PD-58784F

MODERN FORMS

CAUTION: TO PREVENT ELECTRICAL SHOCK, ENSURE ELECTRICITY HAS BEEN TURNED OFF AT THE CIRCUIT BREAKER BEFORE BEGINNING.

- Read all instructions before installing.
- System is intended for installation by a licensed electrician in accordance with the National Electrical Code (NEC) and local regulations.
- When handling the fixture, do not apply pressure to the LEDs. Hold the fixture by the base only.
- Retain installation instructions for future maintenance reference.

WARNING: All parts must be used as indicated in these instructions. This product is designed for use only with the supplied parts and/or accessories designated for use by Modern Forms. Substitution of parts or accessories not designated for use with this product by Modern Forms could result in personal injury or property damage, and will void the warranty. Contact an authorized dealer or the manufacturer if any parts are damaged or missing.

MAINTENANCE NOTE: Coastal conditions may cause mineral and residue build-up on the fixture. We recommend that customers in coastal areas clean all external surfaces of the fixture once every two weeks with a wet cloth.

MISE EN GARDE: Pour éviter tout choc électrique, assurez-vous que le disjoncteur soit mis hors tension avant de commencer.

- Lisez toutes les instructions avant l'installation.
- Le système doit être installé par un électricien licencié conformément au code national de l'électricité (NEC), et également aux règlements locaux.
- Lors de la manipulation du luminaire, n'appuyez pas sur les LED. Tenez-le uniquement par la base.

ATTENTION: Toutes les pièces doivent être utilisées comme indiqué dans ces instructions. Ce produit est conçu pour être utilisé seulement avec les pièces et/ou accessoires fournis pour être utilisés avec les produits Modern Forms. Remplacer des pièces ou accessoires non conçus pour ce produit Modern Forms pourrait causer des dommages corporels ou matériels et pourrait également causer l'annulation de la garantie. Veuillez contacter un revendeur autorisé ou le fabricant si des pièces manquent ou sont endommagées.

NOTE D'ENTRETIEN: Les conditions côtières peut causer une accumulation de minéraux et de résidus sur le luminaire. Nous recommandons aux clients qui résident dans les zones côtières de nettoyer toutes les surfaces externes du luminaire une fois toutes les deux semaines avec un chiffon humide.

HARDWARE

A



Mounting Anchor
Qty: 2pcs + 1 Extra
14004511

B



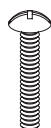
Wood Screw
Qty: 2pcs + 1 Extra
7605050351

C



Wire Connector
Qty: 3pcs + 1 Extra
63000122
P3

D



Junction Box Screw
Qty: 2 pcs + 1 Extra
7606020251
#8-32x1
zinc plating

E



Mounting Screw
Qty: 1 Extra
7601030121
5/32-32x1/2
Nickel plating

Modern Forms

www.modernforms.com
Phone (800) 526.2588 • Fax (800) 526.2585

Headquarters/Eastern Distribution Center

44 Harbor Park Drive • Port Washington, NY 11050
Phone (516) 515.5000 • Fax (516) 515.5050

Western Distribution Center

1750 Archibald Ave • Ontario, CA 91761
Phone (800) 526.2588 • Fax (800) 526.2585



INSTALLATION INSTRUCTIONS

Drift

PD-58738 / PD-58756 / PD-58784 /
PD-58738F / PD-58756F / PD-58784F

MODERN FORMS

PREPARATION

1. Shut off the power at the circuit breaker and remove existing fixture, including the mounting hardware.

2. Carefully unpack your new fixture and lay out all the parts on a clear area. Be careful not to lose any small parts necessary for installation.

MOUNTING THE FIXTURE (FIG.1)

3. Drill holes in the ceiling aligned with the key hole location in the mounting plate.

4. Insert the mounting anchors (A) into holes.

5. Secure the mounting plate to the junction box using junction box screws (D).

NOTE: The side of the mounting plate marked "GND" must face out.

6. Fasten the wood screws (B) into the mounting anchors (A) (installed in the ceiling) and tighten.

7. Slide the glass (RPL-GLA-58756) into the fixture.

8. On each end of fixture, angle-in the end caps and press in to secure.

9. Adjust the fixture wire length by pressing the cable-grippers on canopy and pulling the wire. Make sure both wires are the same length.

10. Re-set the strain relief near the wiring holes.

CONNECTING THE WIRES (FIG.2)

11. Connect the transformer input wires with supply wires as shown (Fig. 2). Make sure that all wire connectors are secure.

12. Cut the fixture wires and leave at least 6". Connect with the transformer output wires (red).

NOTE: The fixture wires have two braided layers. Strip the two layers carefully.

If your outlet box has a ground wire, connect it to the fixture's ground wire. Otherwise, connect the fixture's ground wire directly to the mounting plate (D1) using the green screw provided. Tuck wires carefully inside the junction box.

13. Place the canopy over the mounting plate, secure with mounting screws (E).

14. Check if fixture is level and adjust cables if necessary.

***Continue instructions for changing to decorative wood canopy**

FIG.1

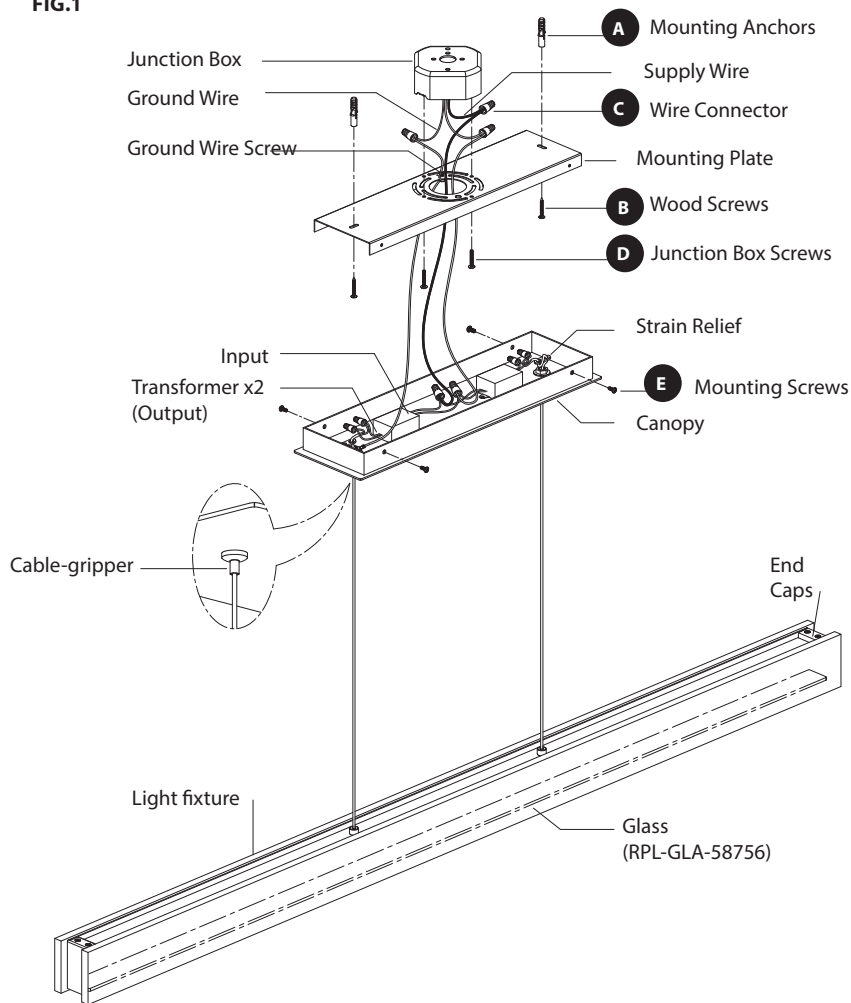


Fig.2 Wiring



Fixture Wires	House Wires
Black or Smooth	Black (Hot)
White or Ribbed	White (Neutral)
Bare wire (Ground)	Green or Bare Copper (Ground)

Modern Forms
www.modernforms.com
Phone (800) 526.2588 • Fax (800) 526.2585

Headquarters/Eastern Distribution Center
44 Harbor Park Drive • Port Washington, NY 11050
Phone (516) 515.5000 • Fax (516) 515.5050

Western Distribution Center
1750 Archibald Ave • Ontario, CA 91761
Phone (800) 526.2588 • Fax (800) 526.2585



INSTALLATION INSTRUCTIONS

Drift

PD-58738 / PD-58756 / PD-58784 /
PD-58738F / PD-58756F / PD-58784F

MODERN FORMS

CHANGING TO DECORATIVE WOOD CANOPY

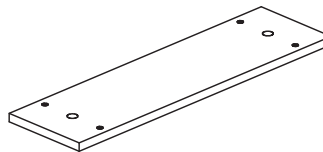
ACCESSORIES



Mounting Screw
Qty: 4pcs + 1 Extra
7601010101
5/32-32x1/2
zinc plating



Washer
Qty: 4pcs + 1 Extra
13005011
zinc plating

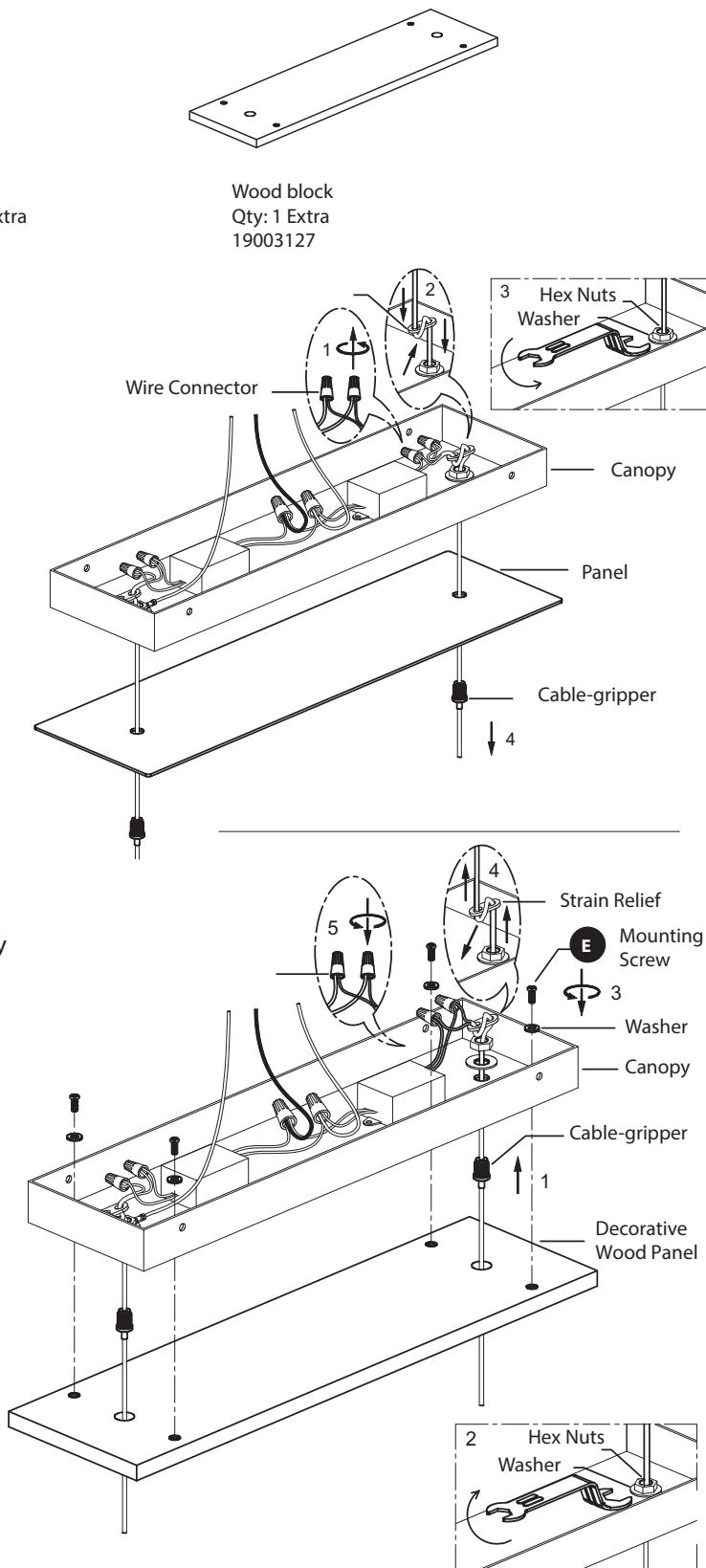


Wood block
Qty: 1 Extra
19003127

REMOVING THE FIXTURE AND METAL CANOPY

PREPARATION

1. Shut off the power at the circuit breaker and remove existing fixture, including the mounting hardware.
2. Remove the wire nut and separate the wire (shown #1).
3. Remove the Strain Relief (shown #2) and use washer to unscrew hex nuts (shown #3).
4. Remove the cable and panel from the canopy assembly.
5. Install the wire with the cable-gripper through the decorative wood panel.
6. Secure the cable-gripper from the decorative wood panel onto the canopy with washer and nut.
7. Install the mounting screw and washer to secure the canopy with the decorative wood panel.
8. Wire the cable through the strain relief (shown #4).
9. Connect the transformer input wires with supply wires as shown (Fig. 2). Make sure that all wire connectors are secure.
10. Place the canopy over the mounting plate, secure with mounting screws (E).



Modern Forms
www.modernforms.com
Phone (800) 526.2588 • Fax (800) 526.2585

Headquarters/Eastern Distribution Center
44 Harbor Park Drive • Port Washington, NY 11050
Phone (516) 515.5000 • Fax (516) 515.5050

Western Distribution Center
1750 Archibald Ave • Ontario, CA 91761
Phone (800) 526.2588 • Fax (800) 526.2585



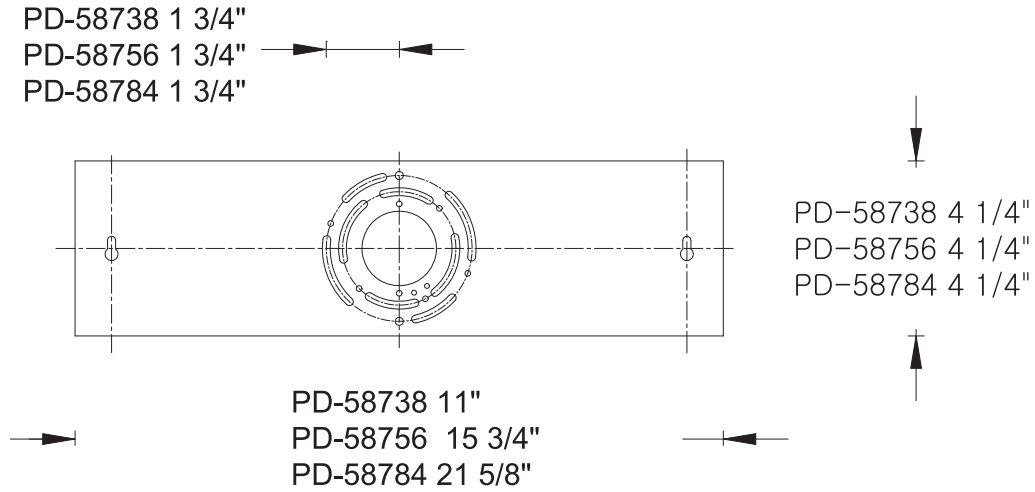
INSTALLATION INSTRUCTIONS

Drift

PD-58738 / PD-58756 / PD-58784 /
PD-58738F / PD-58756F / PD-58784F

MODERN FORMS

BACKPLATE DIMENSIONS



Modern Forms

www.modernforms.com

Phone (800) 526.2588 • Fax (800) 526.2585

Headquarters/Eastern Distribution Center

44 Harbor Park Drive • Port Washington, NY 11050

Phone (516) 515.5000 • Fax (516) 515.5050

Western Distribution Center

1750 Archibald Ave • Ontario, CA 91761

Phone (800) 526.2588 • Fax (800) 526.2585

