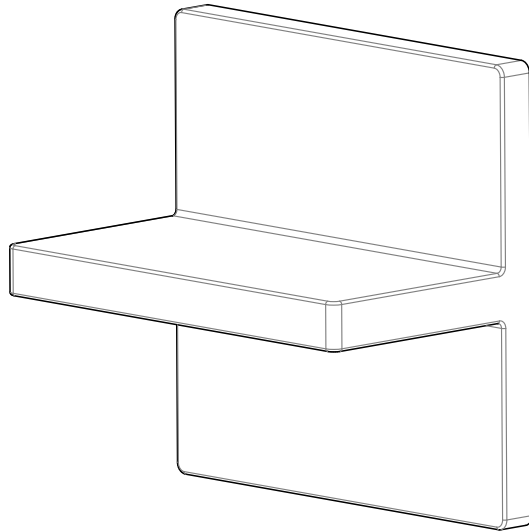




Ledge

12526 rA

AC Input



CAUTION:

Before starting, turn off power at main circuit panel.

ADVERTENCIA:

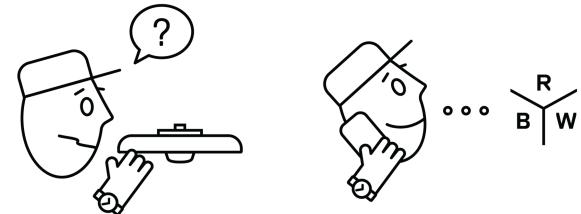
Antes de comenzar la instalación, apague la corriente en el tablero principal.

ATTENTION:

Coupez l'alimentation avant de proceder à l'installation.



Calling for backup? Scan above to contact our team.

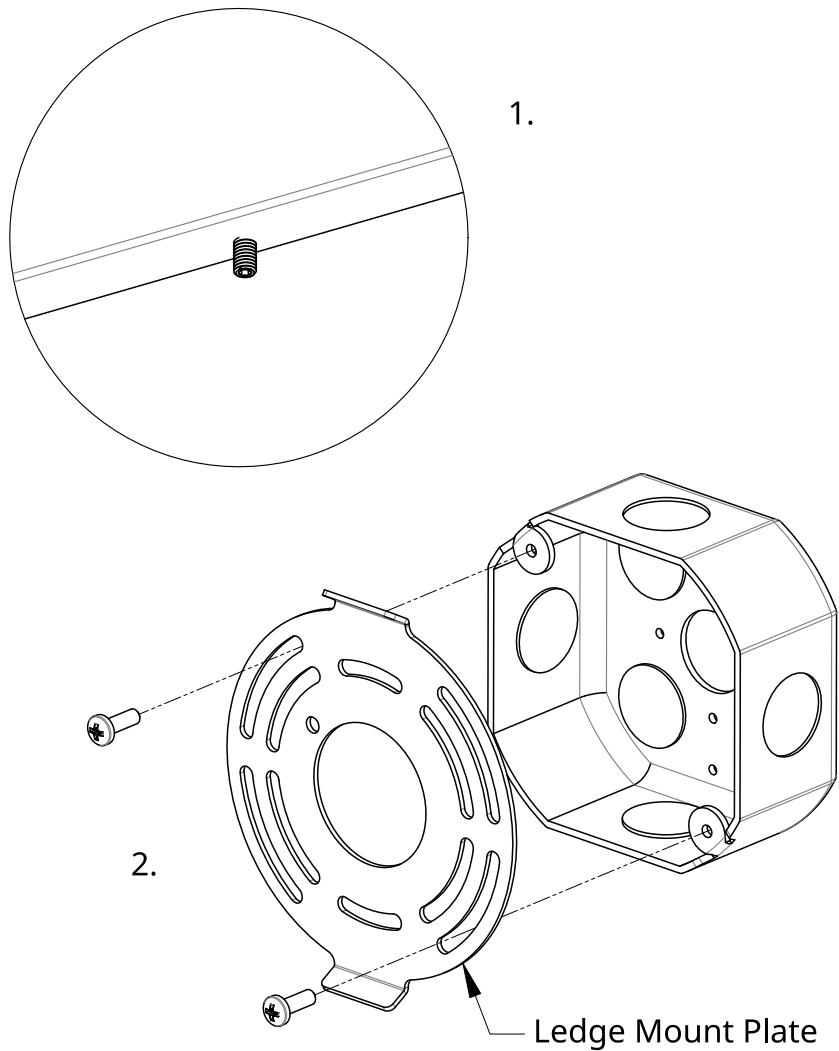


www.RBW.com

+1 212 388 1621

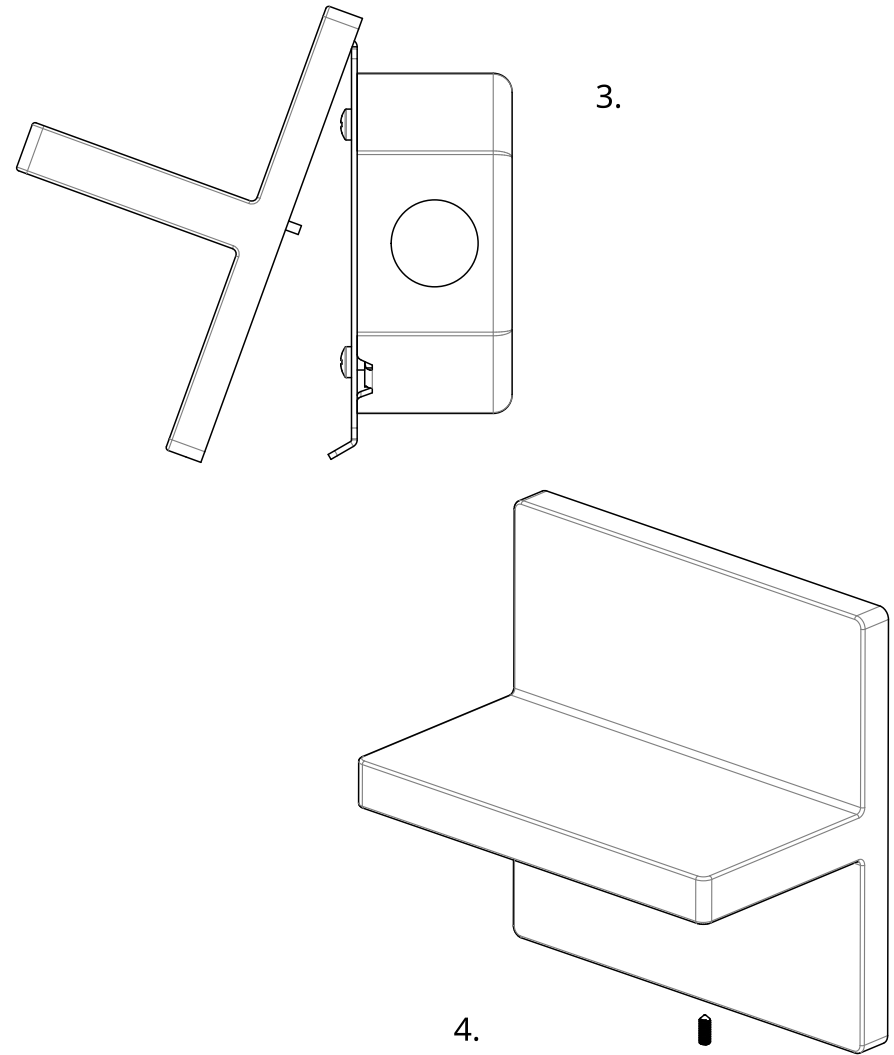
support@RBW.com

© RBW Studio LLC, 2013, 2020



Installation - Mount Plate

1. Remove the set screw in order to remove the Ledge Mount Plate from the Sconce.
2. Fasten the Ledge Mount Plate to the desired junction box with appropriate fasteners.
3. Connect Ledge Sconce leads to the power feed



Installation - Sconce

3. Hinge the Sconce onto the Ledge Mount Plate opposite the side of the Set Screw.
4. Once the Sconce is attached to the Mount Plate on both sides hold the Sconce flush against the wall and fasten the set screw to tightly secure the Sconce.
5. Congratulations! End of guide.