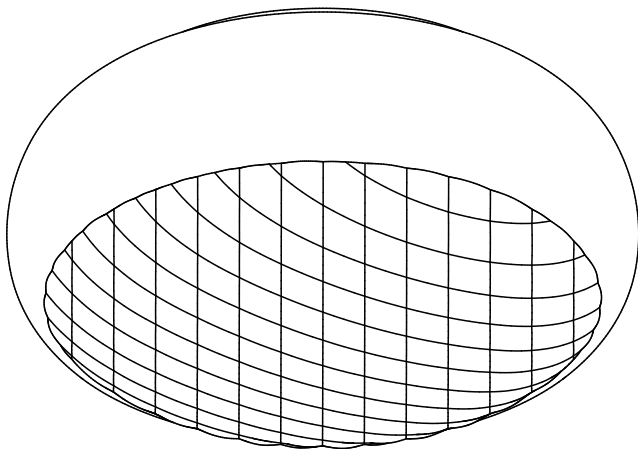


Print Flush Mount

12729 rA

Low Voltage Input

Note: External power supply may be required.



CAUTION:

Before starting, turn off power at main circuit panel.

ADVERTENCIA:

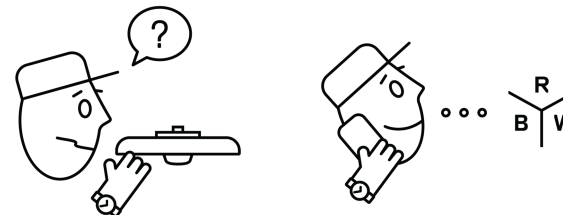
Antes de comenzar la instalación, apague la corriente en el tablero principal.

ATTENTION:

Coupez l'alimentation avant de proceder à l'installation.



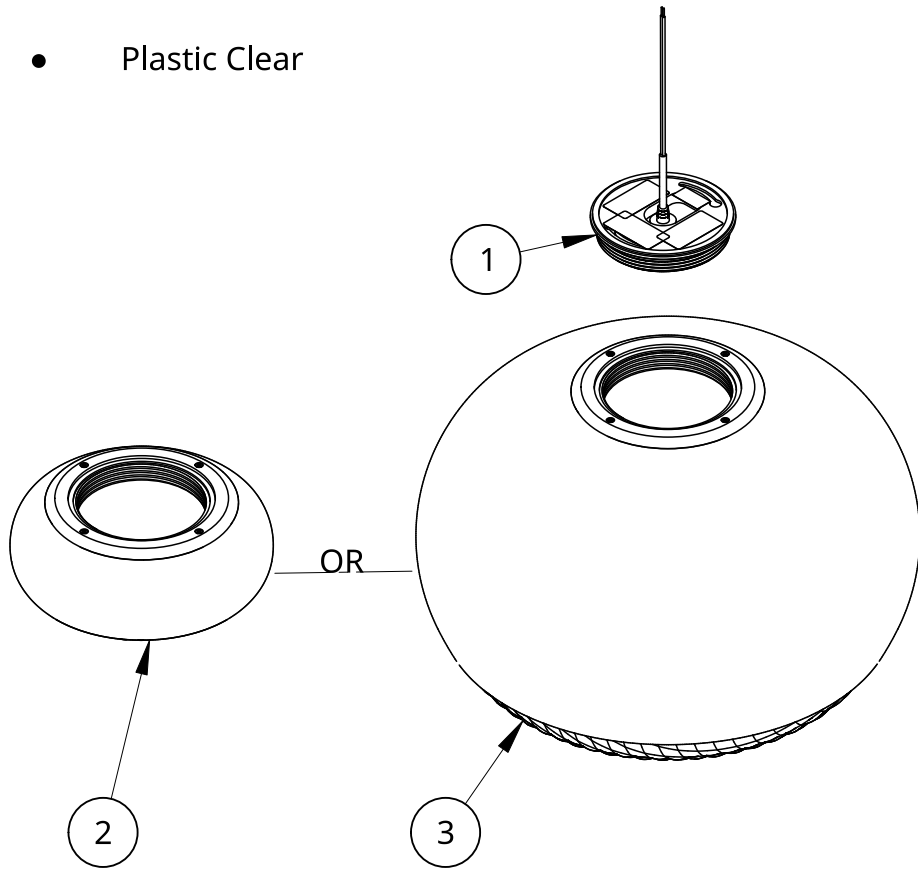
Calling for backup? Scan above to contact our team.



www.RBW.com
+1 212 388 0399
support@RBW.com
© RBW Studio LLC, 2013, 2020

Globe Finish

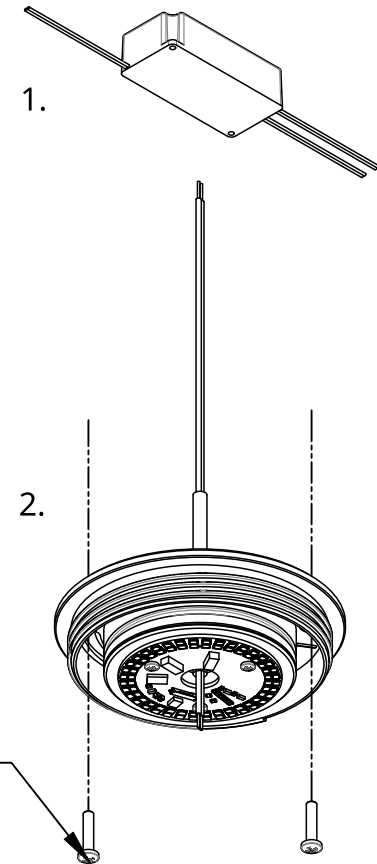
- Glass Clear/Frosted
- Plastic Clear



Item	Qty	Part number	Description
1	1	10644-27	Assembly: Print Sconce Module. 200mA. RBW LED 65mm DC. 2700K CCT.
2	1	12563	Assembly: Print Small Globe Clear & Frosted Glass
3	1	12558	Assembly: Print Large Globe Clear & Frosted Glass

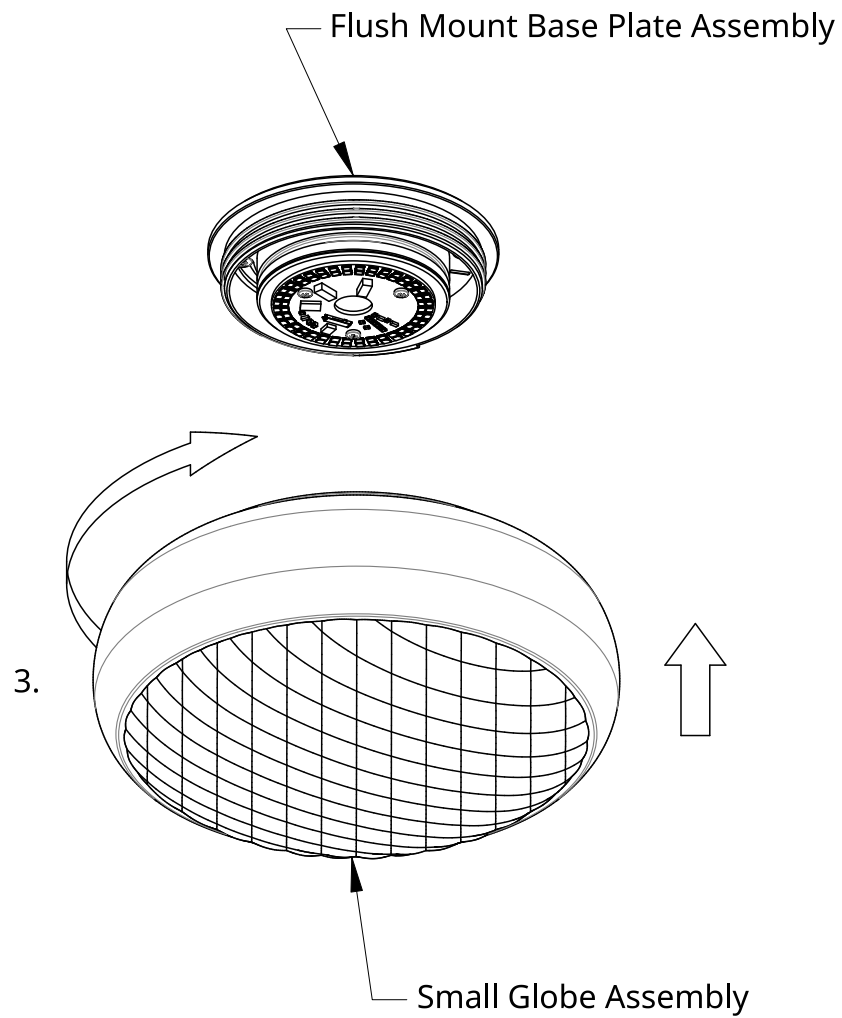


Driver dimensions and location may vary, consult your order confirmation for details.



Installation - Base Plate Assembly

1. Connect Red(+) and Black(-) Sconce wires to low voltage leads from externally located driver.
2. Fix the Module to desired mounting surface with appropriate fasteners.



Installation - Globe Assembly

3. Thread Globe Assembly clockwise onto Flush Mount Base Plate Assembly.
4. Congratulations! End of guide.

Page intentionally left blank