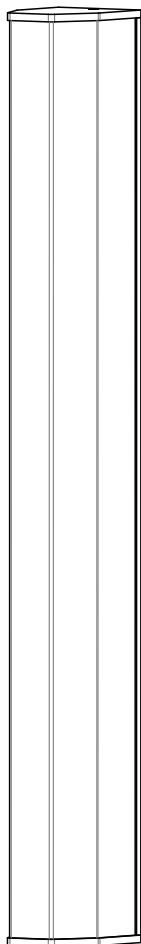


# Branch

13365 rA

Sconce  
AC Input



## CAUTION:

Before starting, turn off power at main circuit panel.

## ADVERTENCIA:

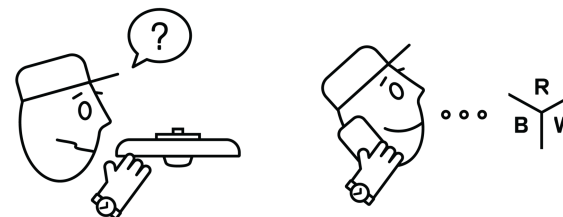
Antes de comenzar la instalación, apague la corriente en el tablero principal.

## ATTENTION:

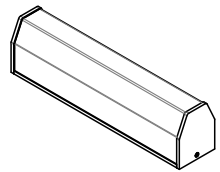
Coupez l'alimentation avant de proceder à l'installation.



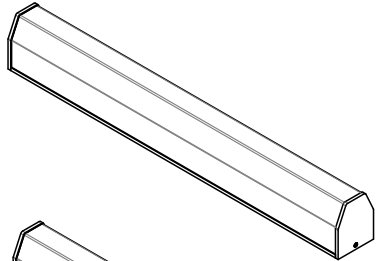
Calling for backup? Scan above to contact our team.



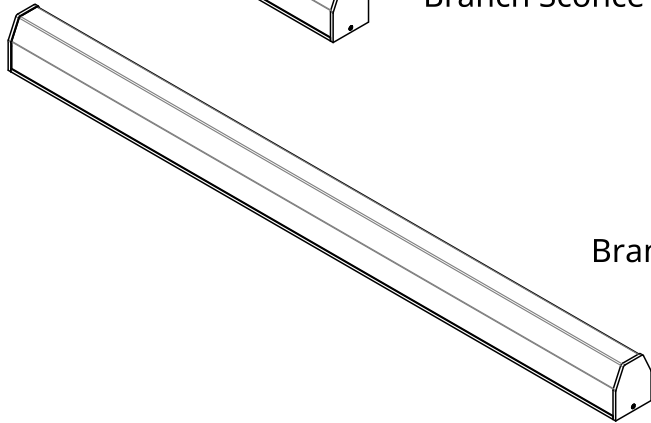
www.RBW.com  
+1 212 388 1621  
support@RBW.com  
© RBW Studio LLC, 2013, 2020



Branch Sconce Small

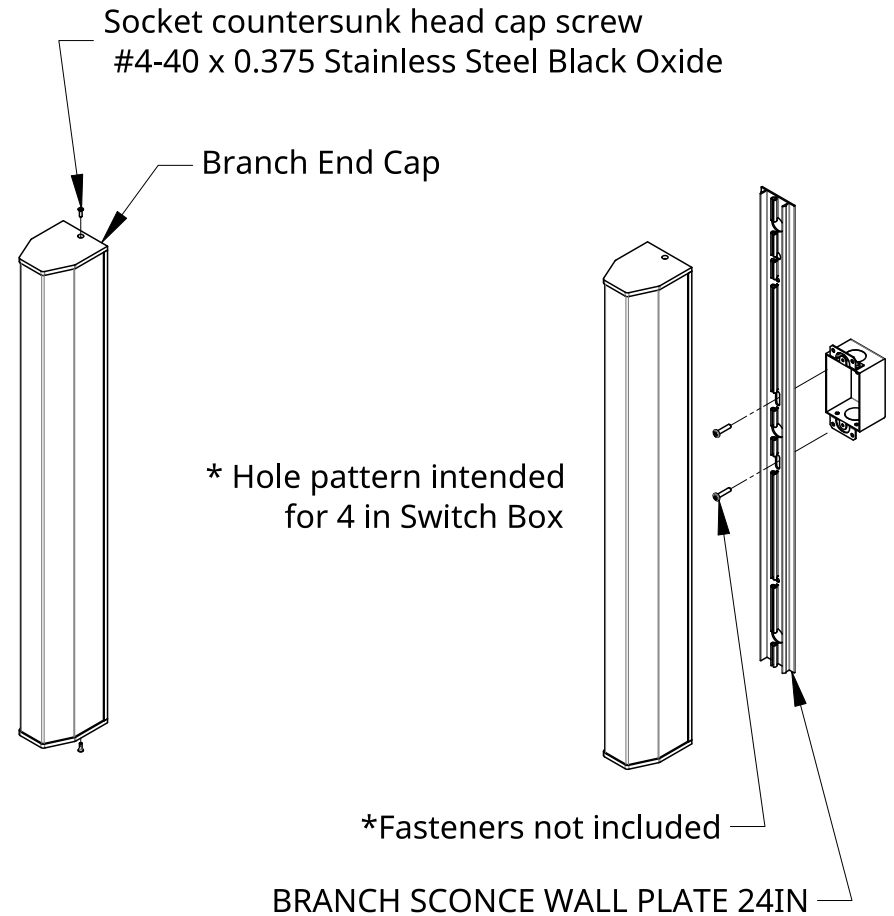


Branch Sconce Medium



Branch Sconce Large

Item	Qty	Part number	Description
1	1	13367-AA01-27	Branch Sconce Small. Clear Anodized.
Item	Qty	Part number	Description
1	1	13368-AA01-27	Branch Sconce Medium. Clear Anodized.
Item	Qty	Part number	Description
1	1	13369-AA01-27	Branch Sconce Large. Clear Anodized.



### Installation - Sconce Wall Plate

1. Back out included #4-40 screws from End Caps.
2. Remove Sconce Wall Plate from Branch Sconce.
3. Fasten Sconce Wall Plate to desired mounting location with appropriate fasteners.
4. Connect leads from Branch Sconce to power feed through center hole in Sconce Wall Plate.
5. Snap Branch Sconce onto Wall Plate.
6. Re-insert #4-40 Screws into End Caps to secure Wall Plate.
7. Congratulations! End of guide.