

## Hemisphere

### 7500, 7502

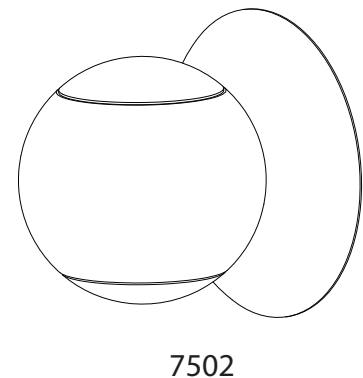
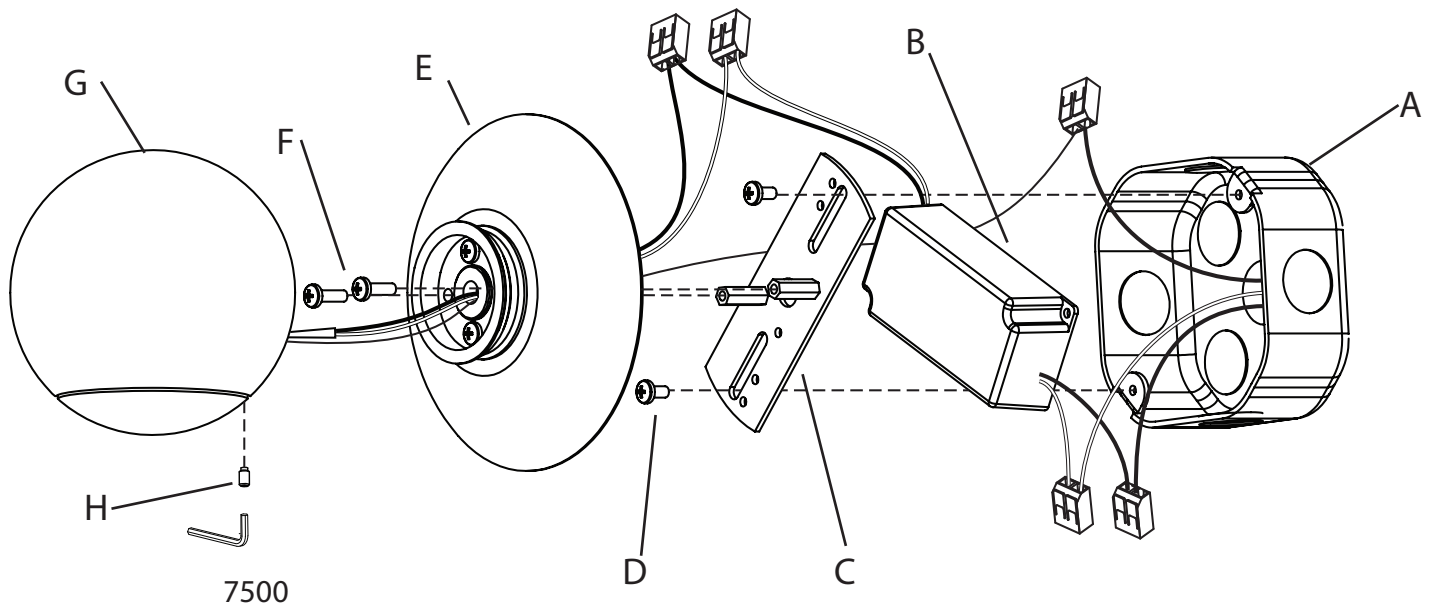
Sconce, Up/Down  
Sconce

## Product Information and Warnings

### IMPORTANT

- **Always disconnect the power before installing or replacing Luminaires and before cleaning or other maintenance.**
- **Consult a qualified, licensed electrician to ensure correct branch circuit conductor.**
- ***Consulter un électricien qualifié pour vous assurer que les conducteurs de la dérivation sont adéquats.***
- Please read all included assembly instructions and warnings carefully before installation. Contact Customer Service if you have any questions or concerns. Before installation, please confirm that the fixture is compatible with your supply voltage and dimming system, if present.
- LEDs are highly sensitive electronic devices, and must be treated with care. Do not open any factory sealed compartments, and avoid touching the LEDs with your hands or any object.
- Although all our fixtures are equipped with protective devices, LED electronic systems are vulnerable to power surges and supply variations. Do not install LED fixtures on the same circuit as any motors, appliances, or HVAC systems.
- Do not remove or bypass any LED Driver or Transformer that is provided with the fixture, and do not replace or substitute with another power supply.
- Fixtures must be wired in parallel on independent leads; do not "daisy chain" multiple fixtures together or wire them in series.
- All factory-made splices and connections must remain intact. LED circuits are carefully designed and built, and improper connections may damage the fixture.
- The ends of coaxial pendant cords have been precisely stripped and split at the factory and must not be field cut. Excess cord or cable should be neatly coiled and reserved in the fixture canopy.
- Any mounting hardware is provided for your convenience and should be used with discretion. Always use the appropriate hardware for the mounting surface.

This fixture can be mounted with its canopy over an outlet box, or without the canopy using a remote driver. For mounting to outlet box:



1. Shut off power to the outlet box (A).
2. Loosen the set screw (H) with included Allen key and remove the fixture (G) from the canopy assembly (E). Remove the crossbar (C) by removing fixture screws (F).
3. Make appropriate electrical connections using wire nuts:
  - a. Connect the power supply's live wire to the live supply wire.
  - b. Connect the power supply's neutral wire to the neutral supply wire.
  - c. Connect the fixture's ground wire (green or uncoated) to the ground supply wire. If no ground wire is present in the outlet box, connect ground wire to the crossbar (C) using the green screw (included).
  - d. Carefully place power supply and electrical connections in outlet box (A).
4. Attach the crossbar (C) to the outlet box (A) using the provided outlet box screws (D).
5. Fit the canopy assembly (E) over the crossbar (C) so that the screw bosses on the crossbar are aligned with the clearance holes in the canopy. Use the fixture screws (F) to attach the canopy to the crossbar.
6. Fit the fixture (G) over the protruding collar of the canopy assembly (E), then tighten the set screw (H) with included Allen key to secure the fixture in place.
7. If using in a wet or damp environment, seal around the edge of the canopy using weather-resistant caulking or another appropriate sealant.
8. Restore power to the outlet box (A).

**Note:**

- Requires standard 4" octagon box or 4" tall 1-gang box, minimum 1.5" deep, to fit the power supply.
- This fixture is dimmable with Electronic Low Voltage (Trailing-Edge), Incandescent (Leading-Edge), and 0-10V type dimmers only.

**Care Instructions:**

Use a clean, dry cloth when dusting.  
To protect the finish, avoid any harsh abrasives or chemicals.

This fixture can be mounted with its canopy over an outlet box, or without the canopy using a remote driver. For ADA-compliant mounting with remote driver:

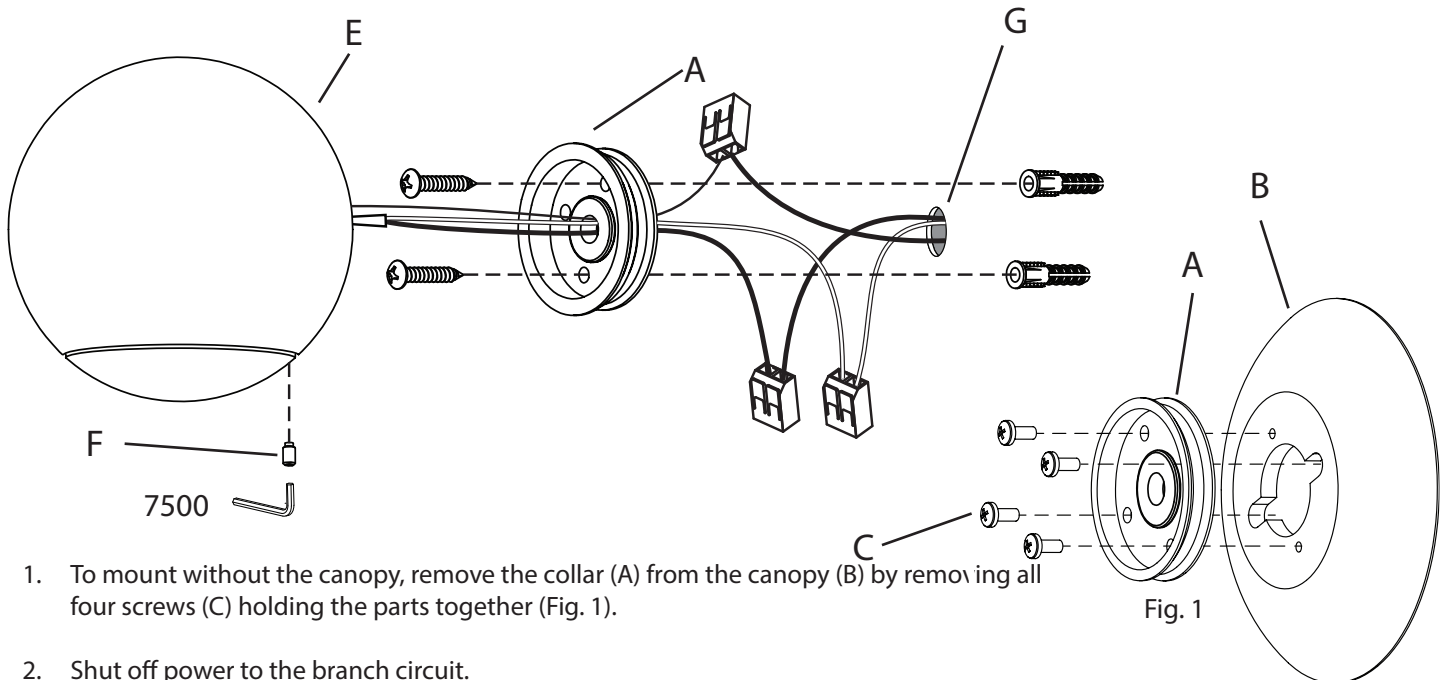


Fig. 1

1. To mount without the canopy, remove the collar (A) from the canopy (B) by removing all four screws (C) holding the parts together (Fig. 1).
2. Shut off power to the branch circuit.
3. The power supply (D) must be installed in a remote and accessible location near the fixture (E) in accordance with local electrical code (Fig. 2). Make appropriate connections:
  - a. Connect the power supply's live wire to the live supply wire.
  - b. Connect the power supply's neutral wire to the neutral supply wire.
  - c. Connect the power supply's positive (+) output wire to the necessary length of red wire (not included) to reach the fixture location.
  - d. Connect the power supply's negative (-) output wire to the necessary length of black wire (not included) to reach the fixture location.
  - e. Drill a small hole (G) at the fixture location and pull the low voltage wires through.
4. Pull the fixture's power leads through the gasket in the mounting collar. Using the included connectors, connect the fixture's positive (+) conductor to the positive (red) low voltage wire and connect the fixture's negative (-) conductor to the negative (black) low voltage wire. Carefully feed the connectors through the drilled hole (G).
5. Mount the mounting collar (A) to the wall using drywall screws and anchors (not included), or other hardware as appropriate.
6. Fit the fixture over the mounting collar, then tighten the set screw (F) with included Allen key to secure the fixture in place.
7. If using in a wet or damp environment, seal around the edge of the fixture using weather-resistant caulking or another appropriate sealant.
8. Restore power to the branch circuit.

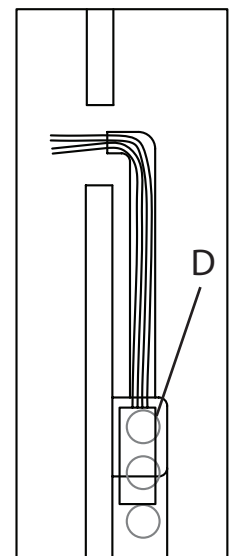
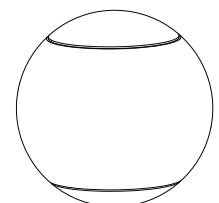


Fig. 2



7502

**Note:**

- This fixture is dimmable with Electronic Low Voltage (Trailing-Edge), Incandescent (Leading-Edge), and 0-10V type dimmers only.

**Care Instructions:**

Use a clean, dry cloth when dusting.  
 To protect the finish, avoid any harsh abrasives or chemicals.