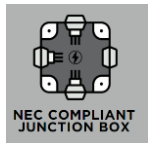
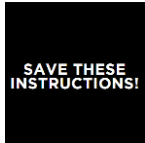


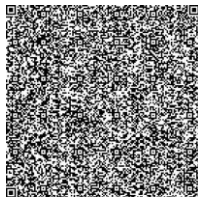
FOSTER SCONCES

DJV1091; DJV1092; DJV1093; DJV1094

General Product Information



WARRANTY



FCC STATEMENT

Safety Information

CAUTION-RISK OF FIRE

This product must be installed in accordance with the applicable installation code by a person familiar with the construction and operation of the product and the hazards involved.

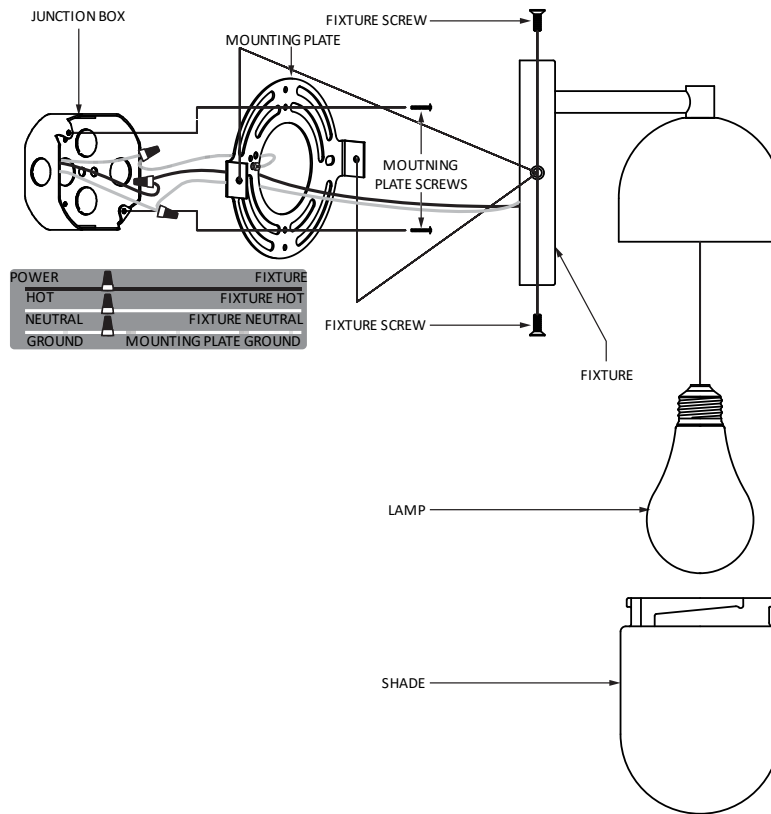
USE MINIMUM 90°C SUPPLY CONDUCTORS.



Turn off electrical current at the source before working with any lighting fixture or portable lamp.

Install and use this product in adherence with local electrical codes and regulations.





INSTRUCTIONS

I. Preparing the Fixture

1. Remove the mounting plate from the fixture body.
2. Install the mounting plate to the junction box.

II. Wiring the Fixture

1. Wrap the fixture ground wire around the green ground screw.
2. Connect the following wires using a wire nut:
 - a) Fixture ground wire to the supply ground wire.
 - b) Fixture neutral wire to the supply neutral wire.
 - c) Fixture hot wire to the supply hot wire.

CAUTION: Do not reverse the hot and neutral connections.

3. Tuck all wires into the junction box.

III. Installing the Fixture

1. Affix the mounting plate to the fixture body, securing with the threaded caps.
2. Insert bulbs into the sockets, and then install the glass frames. Turn on the power.
3. Install lightbulbs/shades onto the fixture.