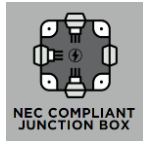


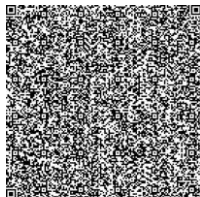
CHEVERNY SMALL, MEDIUM & X-LARGE VANITIES

LXV1001; LXV1002; LXV1004

General Product Information



WARRANTY



FCC STATEMENT

Tools Required



Safety Information

CAUTION-RISK OF FIRE

This product must be installed in accordance with the applicable installation code by a person familiar with the construction and operation of the product and the hazards involved.

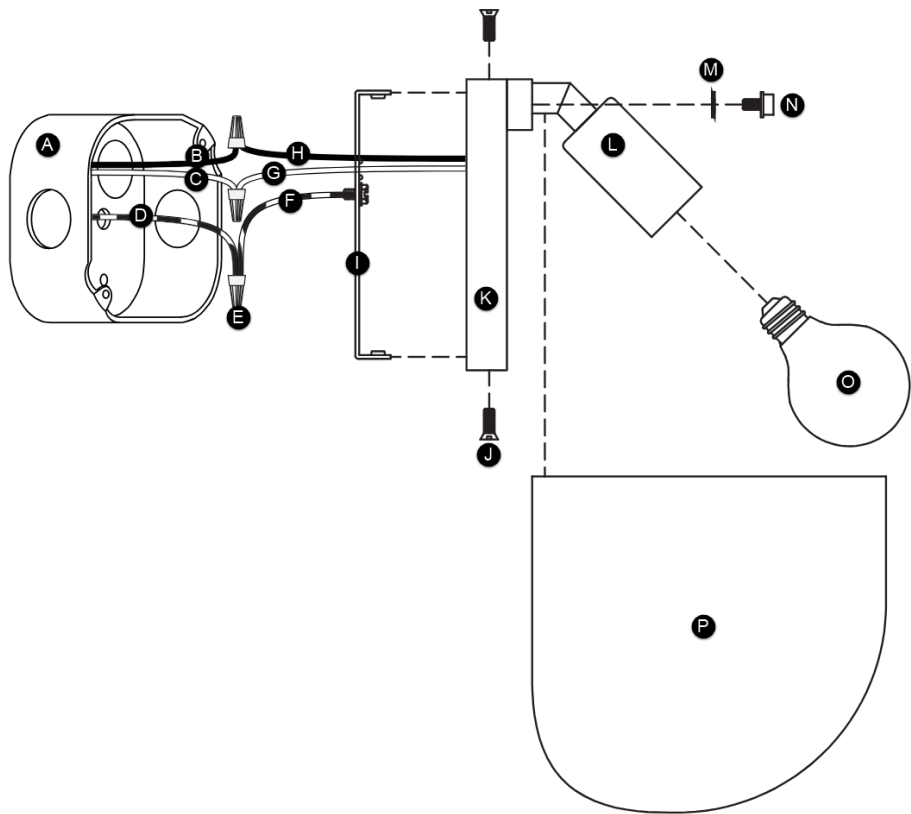
USE MINIMUM 90°C SUPPLY CONDUCTORS.



Turn off electrical current at the source before working with any lighting fixture or portable lamp.

Install and use this product in adherence with local electrical codes and regulations.





| FIXTURE PARTS | |
|---------------|-------------------------|
| A. | Junction Box |
| B. | Hot Power Line Wire |
| C. | Neutral Power Line Wire |
| D. | Ground Wire |
| E. | Wire Nuts |
| F. | Fixture Ground Wire |
| G. | Neutral Fixture Wire |
| H. | Hot Fixture Wire |
| I. | Mounting Plate |
| J. | Fixture Screws |
| K. | Fixture Base |
| L. | Socket |
| M. | Washers |
| N. | Cap Nuts |
| O. | Lamp (Not Included) |
| P. | Shade |

INSTRUCTIONS

I. Preparing the Fixture

1. Separate the mounting plate from the fixture base by removing the fixture screws.
2. Install the mounting plate to the junction box and secure it using mounting screws.

II. Wiring the Fixture

1. Safety first! Locate the circuit breaker and switch it off to cut off the power supply to the relevant circuits to ensure there's no electricity running through the wiring.
2. In accordance with local electrical codes, connect the fixture ground wire (bare copper or silver wire) to suitable ground. This may be a green ground screw on the mounting plate, which the ground wire should be tightly wrapped around or a house wire (green or bare copper wire without insulation).
3. Twist the bare ends of the following pairs of wires together using a wire nut to secure a connection:
 - a) Hot fixture wire (black) and hot power line wire from the junction box (hot to hot)
 - b) Neutral fixture wire (white) and neutral power line wire from the junction box (neutral to neutral)
4. Carefully tuck all the wires behind the mounting plate into the junction box.

III. Installing the Fixture

1. Mount the fixture onto the mounting plate and secure it in place by tightening the fixture screws.
2. Install the lamp into the socket, referring to the label on the socket for Max Wattage information.
3. Using the provided studs, washers and cap nuts, affix the shades to the fixture.