

# Brim Head

700FJBRM\_ 1.1

## VISUAL COMFORT & Co.

MODERN COLLECTION

### GENERAL PRODUCT INFORMATION:



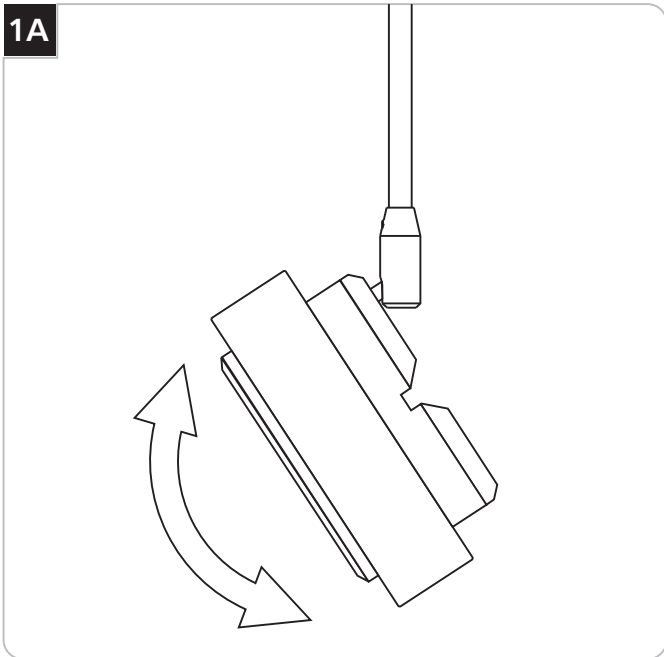
This product is ETL listed and suitable only for indoor dry locations and approved for use at any height above the finished floor.

Only compatible with use of AC transformer.



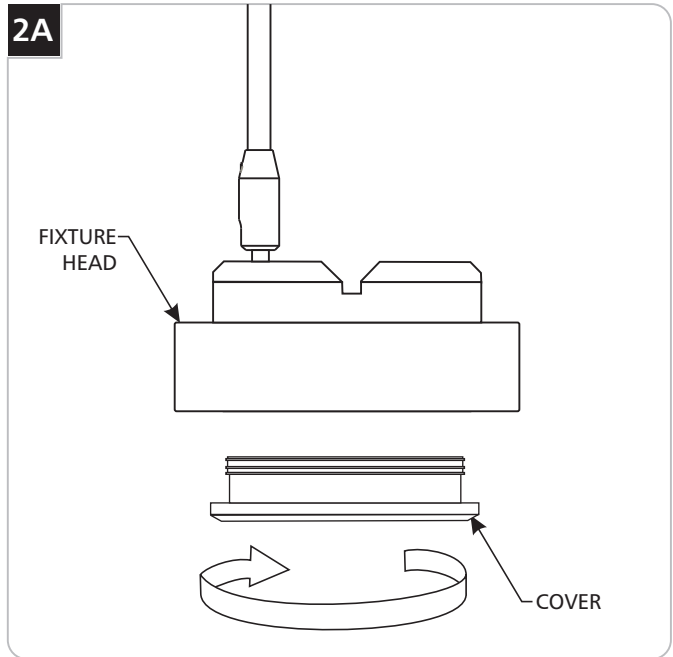
**CAUTION:** To reduce the risk of a burn or electric shock during accessory installation, disconnect the power to the fixture.

### Adjust the Fixture



**1** Tilt the fixture head to the desired position.

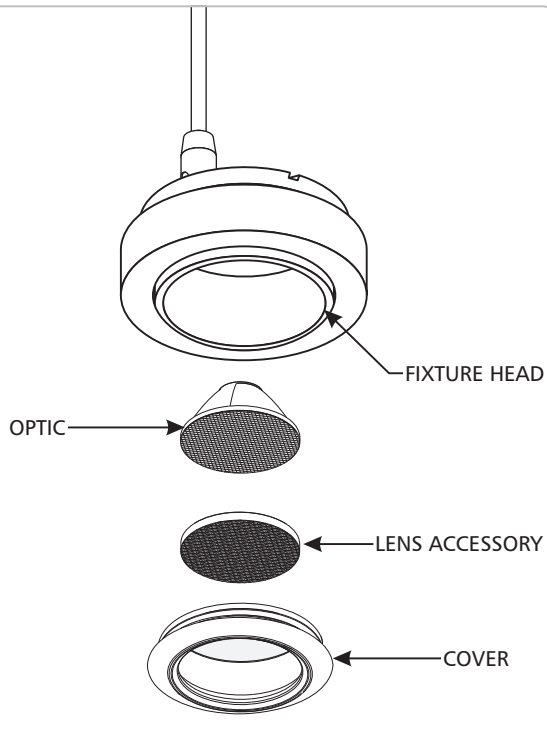
### Lenses and Optics (Optional)



**NOTE:** While installing or replacing lens and/or optics, it is recommended to do so with the fixture head facing downward to hold items in place within the cover during installation.

**1** If installing or replacing lens accessory or replacing the optic, remove the cover by unscrewing it from the fixture.

2B



- 2 Remove the optic.
- 3 If installing an optional lens, rest the lens inside the cover. **NOTE: A maximum of two lenses can be installed.**
- 4 Install the optic (replacement or existing) inside the LED housing cover.
- 5 Reinstall the cover (reversal of step 2A).

VISUAL COMFORT & CO.

7400 Linder Ave., Skokie, IL 60077

T 847.410.4400 | F

847.410.4500

[www.visualcomfort.com](http://www.visualcomfort.com)