

# Revel Pathway

7000ARVL\_

1.1

## VISUAL COMFORT & Co.

MODERN COLLECTION

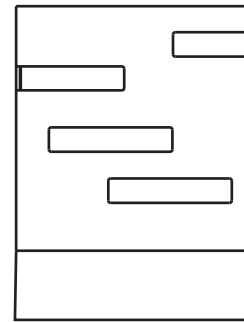
### GENERAL PRODUCT INFORMATION:



This product is suitable for wet locations.

12VAC input only.

If using Tech Lighting magnetic transformers, this product be dimmed with a low-voltage magnetic dimmer. For all other transformers, consult with the manufacturer for compatible dimmers.



#### CAUTION - RISK OF FIRE

This product must be installed in accordance with the applicable installation code by a person familiar with the construction and operation of the product and the hazards involved.

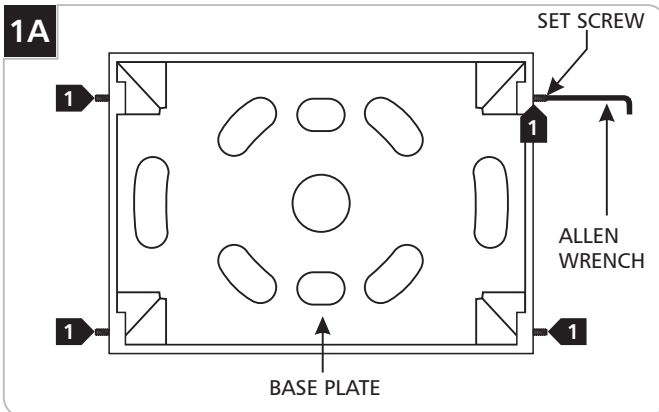
Use minimum 90°C supply conductors.

**WARNING** – Risk of Electric Shock. Install all luminaires 10 feet (3.05 m) or more from a pool, spa, or fountain.

Unit low voltage cable is to:

- a) be protected by routing in close proximity to the luminaire or fitting, or next to a building structure such as a house or deck;
- b) not be buried except for a maximum 6 inches (15.2 cm) in order to connect to the main low voltage cable; and
- c) have the length cut off so that it is connected to a connector within 6 inches (15.2 cm) from a building structure, a luminaire, or fitting.

## Prepare the Fixture



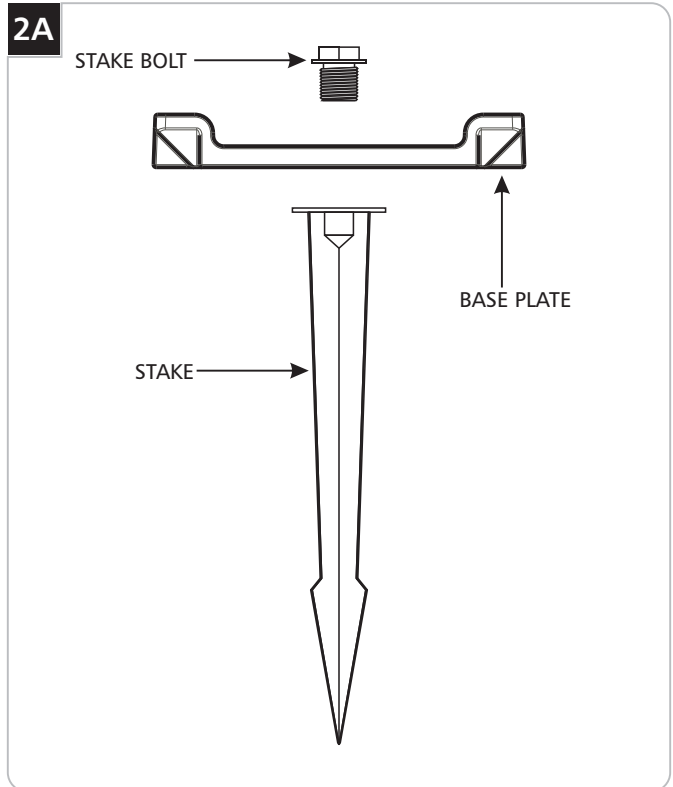
- 1 Loosen (**Do Not Remove**) the four set screws on fixture base with the provided Allen wrench and remove the base plate.

### INSTALLATION OPTIONS:

**For Stake Install - see section 2**

**For Concrete and other Hard Surfaces - see section 3**

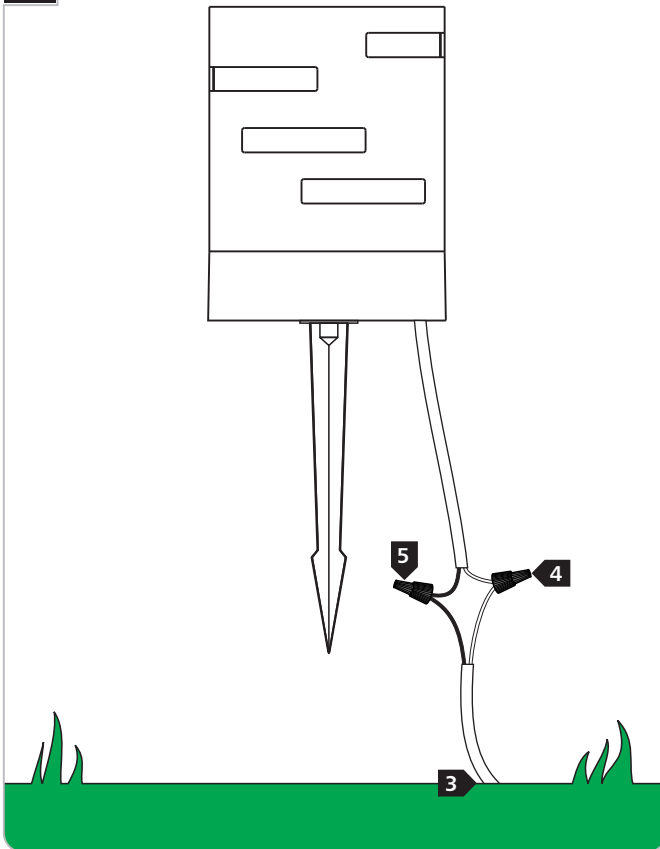
## Install the Fixture using a Stake



- 1 Attach the stake to the base plate by tightly screwing down the provided stake bolt through the center hole of the base plate and the stake.
- 2 Reattach the base plate assembly to fixture and tighten down the set screws (reversal of Section 1A).

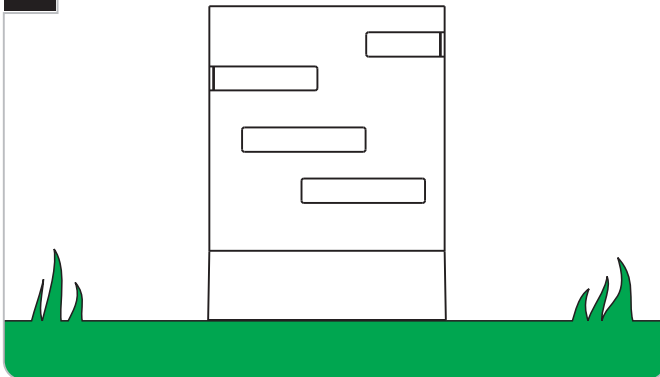
## Install the Fixture to Concrete (or other hard surfaces)

2B



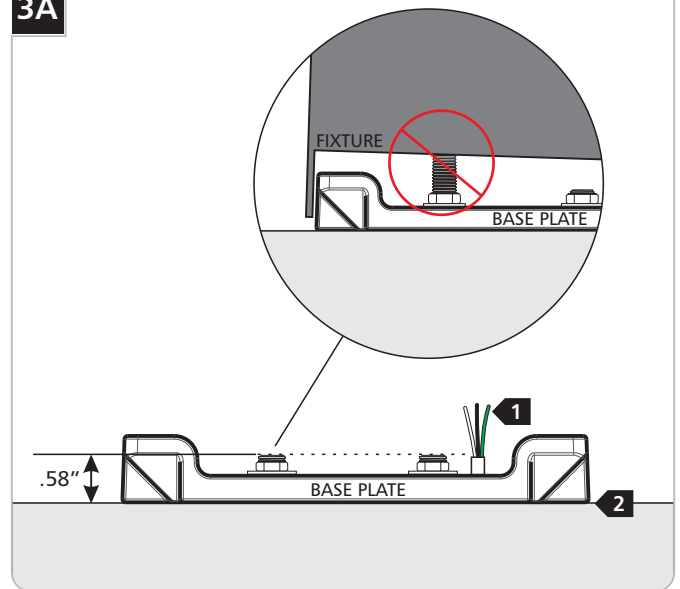
- 3 Bring the power wires to the fixture location in accordance with local electrical codes.
- 4 Connect the white fixture wire to one of the low-voltage power line wires with the provided outdoor waterproof wire nut.
- 5 Connect the black fixture wire to the remaining low-voltage power line with the provided outdoor waterproof wire nut.

2C



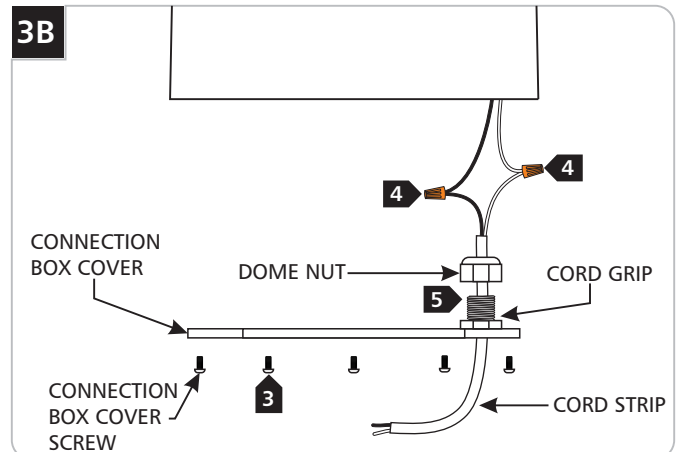
- 6 Stake the fixture to the desired location and properly bury the wire and wire nut connections.

3A

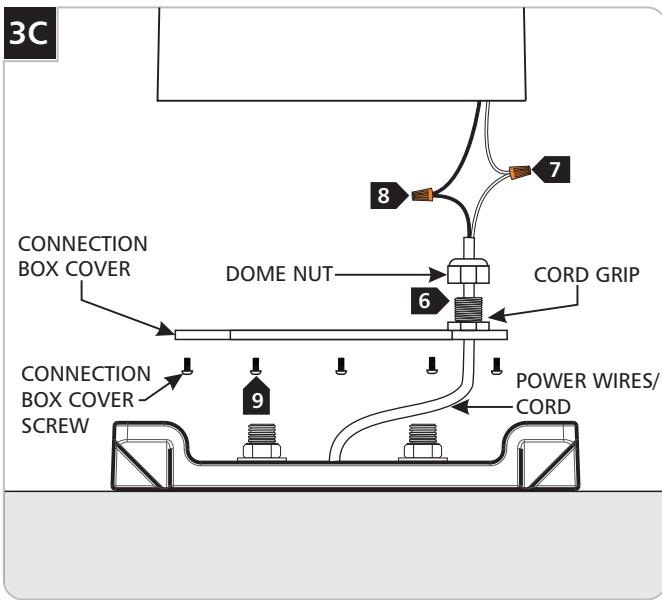


- 1 Bring the power wires to the fixture location in accordance with local electrical codes.
- 2 Mount the base plate to an even and smooth surface using the template provided on last page. Ensure that length of the lag bolts or anchor bolts do not exceed .58" from the mounting surface in order to leave enough clearance for the fixture to fit properly over the base plate.

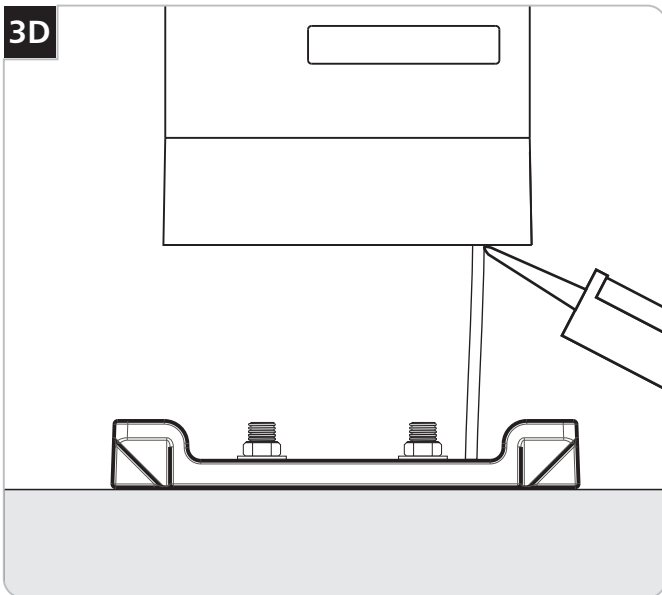
3B



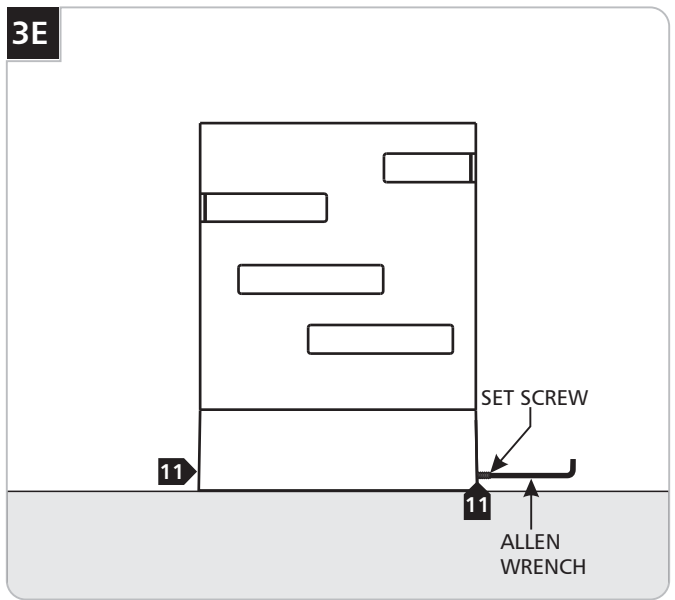
- 3 Unscrew the 10 connection box cover screws under the fixture and remove the connection box cover.
- 4 Remove the provided strip of cord by first disconnecting the 3 wire nut connections; save the wire nuts.  
**Warning:** do not disconnect the output driver connections.
- 5 Unscrew the cord grip's dome nut (save the nut), remove the provided cord strip, and discard of cord properly.

**3C**

- 6** Feed the previously installed power wires / cord through the cord grip and dome nut, then screw the dome nut tightly onto the cord grip.
- 7** Connect the white driver wire to one of the low-voltage power line wire with a wire nut.
- 8** Connect the black fixture wire to the remaining low-voltage power line with a wire nut.
- 9** Carefully place all wires and wire nut connections into the connection box and reinstall the cover (reversal of step 3).

**3D**

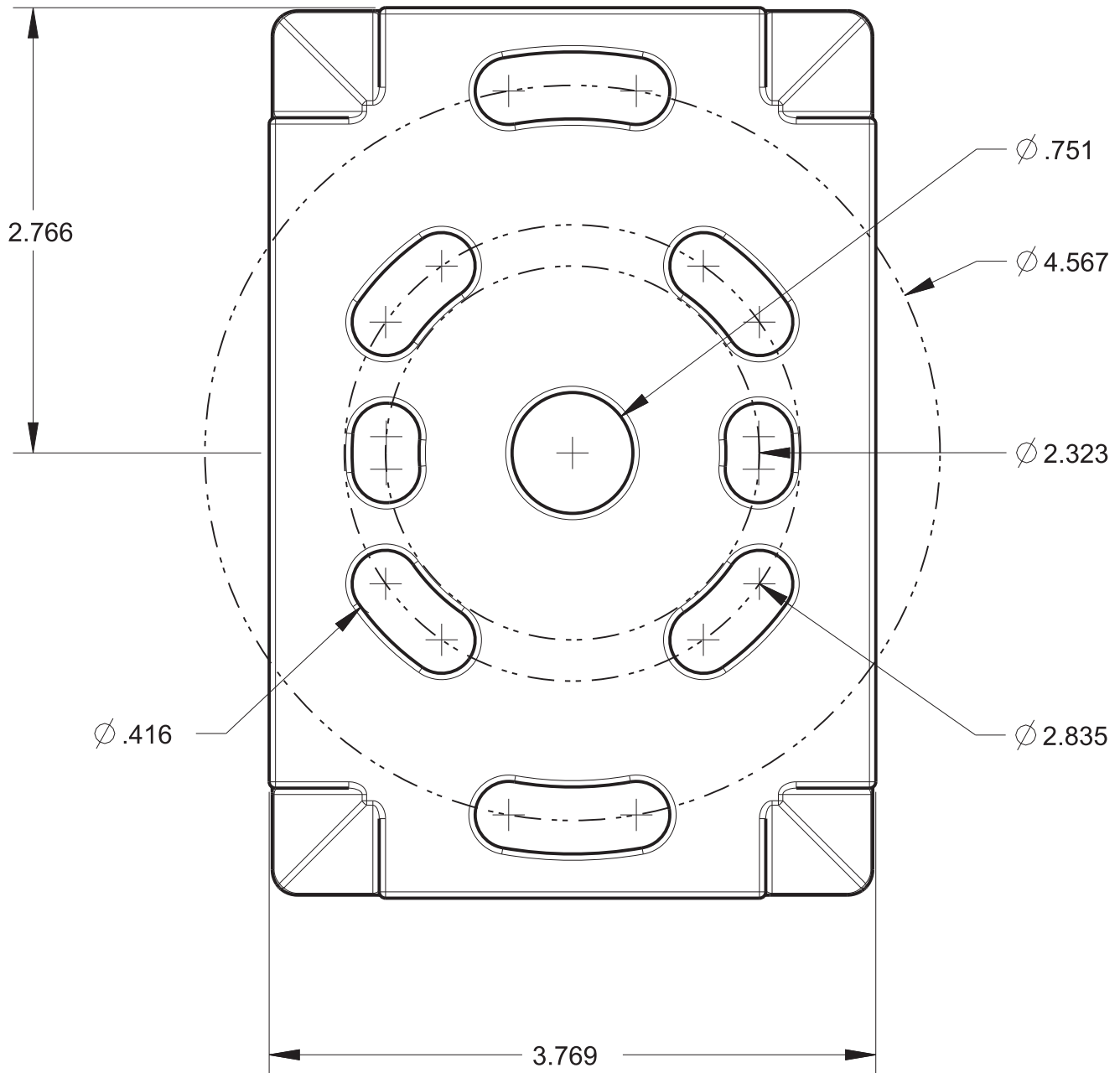
- 10** Caulk around the power line/cord where it enters the cord grip with waterproof construction sealant.

**3E**

- 11** Carefully place the power line/cord inside the fixture, install the fixture onto the base plate, and secure it in place by tightening down the set screws.

# MOUNTING PLATE TEMPLATE

**WARNING:** If printing this template, ensure printer settings are set to actual size.



VISUAL COMFORT & CO.

7400 Linder Ave, Skokie, IL 160077

800.969.3347

[www.visualcomfort.com](http://www.visualcomfort.com)

©2023 Visual Comfort & Co.. All rights reserved. The Visual Comfort & Co. logo is a registered trademark of Visual Comfort & Co. Visual Comfort & Co. reserves the right to change specifications for product improvements without notification

**SAVE THESE INSTRUCTIONS!**