

# Taag 6 Wall

## VISUAL COMFORT & Co.

MODERN COLLECTION

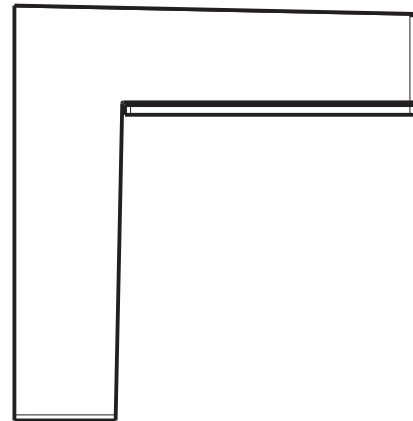
### GENERAL PRODUCT INFORMATION:



These fixtures are intended to be installed utilizing NEC compliant junction boxes.

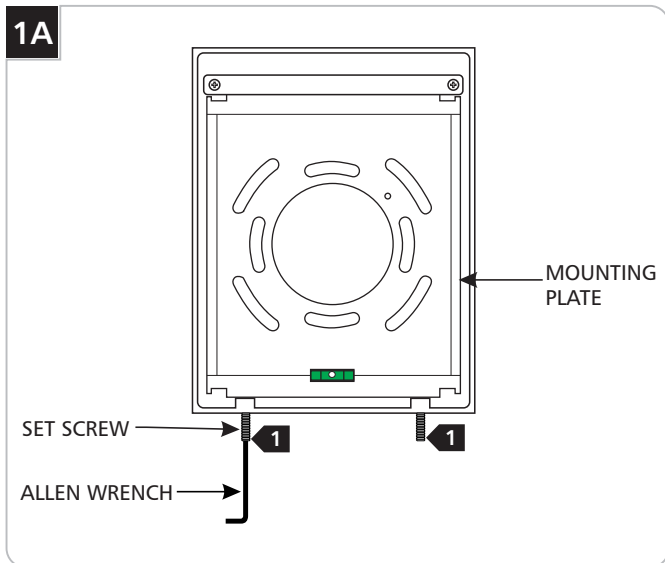
This product may be dimmed with a low-voltage electronic dimmer or a 0-10V dimmer depending on the wiring configuration.

Suitable for wet locations.

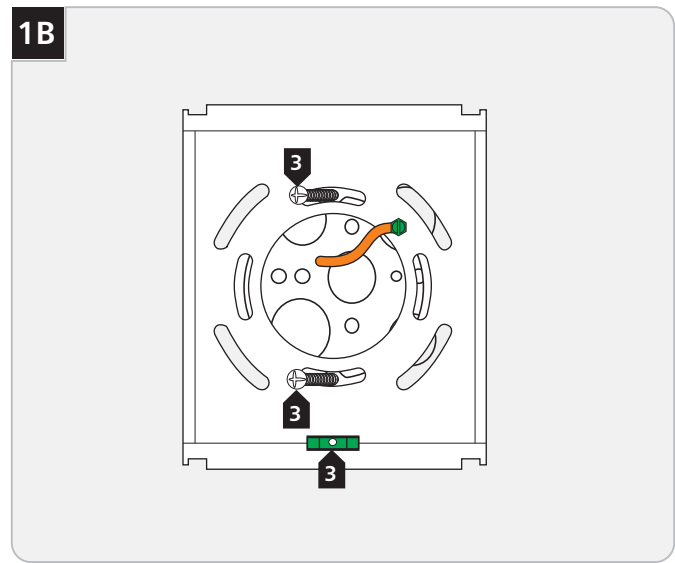


**CAUTION - RISK OF FIRE**  
 This product must be installed in accordance with the applicable installation code by a person familiar with the construction and operation of the product and the hazards involved.  
 Use minimum 90°C supply conductors.

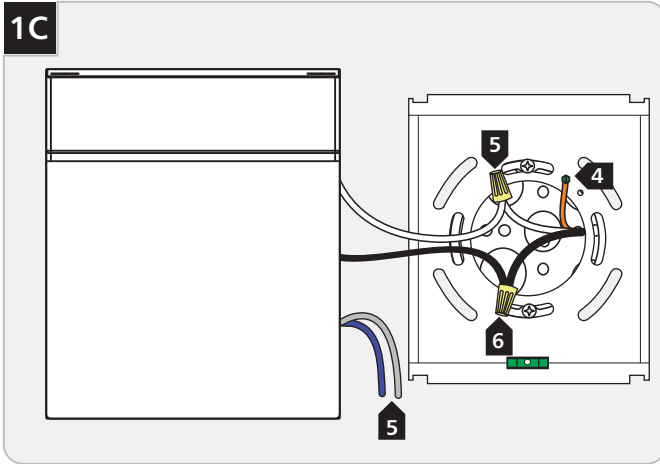
## Install the Fixture



- 1** With the Allen wrench provided, back out (do not fully remove) the set screws at the base of the fixture.
- 2** Remove the mounting plate from the back of the fixture.



- 3** Use the built-in level to ensure the mounting plate is level and secure it to the electrical box using the two provided #8-32 screws.

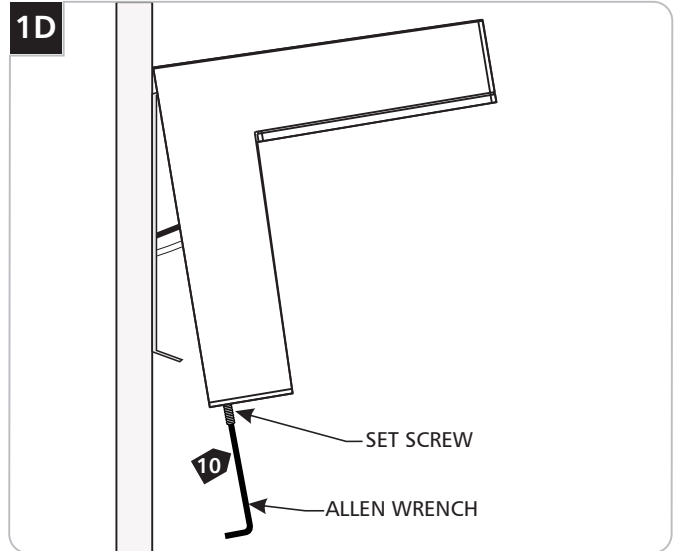


- 4 Connect the backplate wire to a suitable ground in accordance with local electrical codes.
- 5 Connect the white driver wire to the neutral power line.
- 6 Connect the black driver wire to the hot power line.
- 7 Use the gray and purple dimming wires for 0-10v dimming application (if not in use, make sure to cap these wires off).

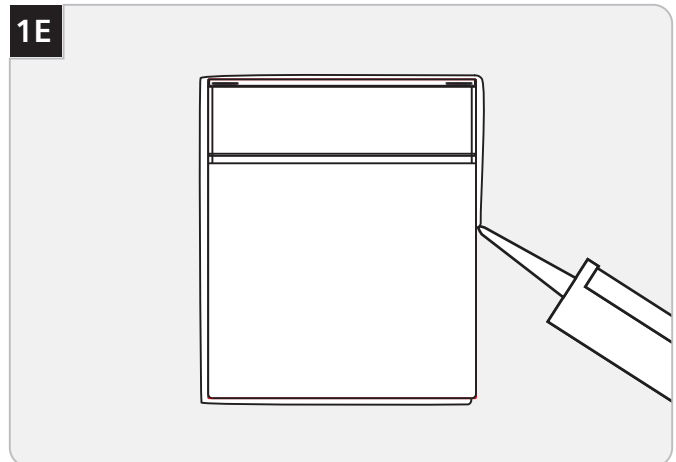
**Warning:** The purple and gray wires are only used for 0-10v dimming. For all other applications, do not connect the gray and purple wires.

**Note for In-Line Fuse equipped fixtures:** in the case that the fixture is not operating correctly, make sure to check the fuse.

**Note for Photocell equipped fixtures:** at initial power up, the photocell must calibrate which will cause the fixture to cycle on/off for a moment.



- 8 Properly place the wires and wire nut connections into the fixture.
- 9 Hook the top of the fixture to the top of the mounting plate and swing the bottom of the fixture toward the plate until it is flush with the wall.
- 10 Tighten the set screws at the bottom of the fixture.



- 11 For wet locations, caulk around the base with waterproof construction sealant.

**SAVE THESE INSTRUCTIONS!**

VISUAL COMFORT & CO.

7400 Linder Ave, Skokie, IL 160077

800.969.3347

[www.visualcomfort.com](http://www.visualcomfort.com)

©2023 Visual Comfort & Co.. All rights reserved. The Visual Comfort & Co. logo is a registered trademark of Visual Comfort & Co. Visual Comfort & Co. reserves the right to change specifications for product improvements without notification