

# Syrma & Syrma Grande Pendant

700TDSYRP\_, 700TDSYRGP\_ 1.4



**GENERAL PRODUCT INFORMATION:** 

This fixture is intended to be installed utilizing NEC compliant junction boxes.

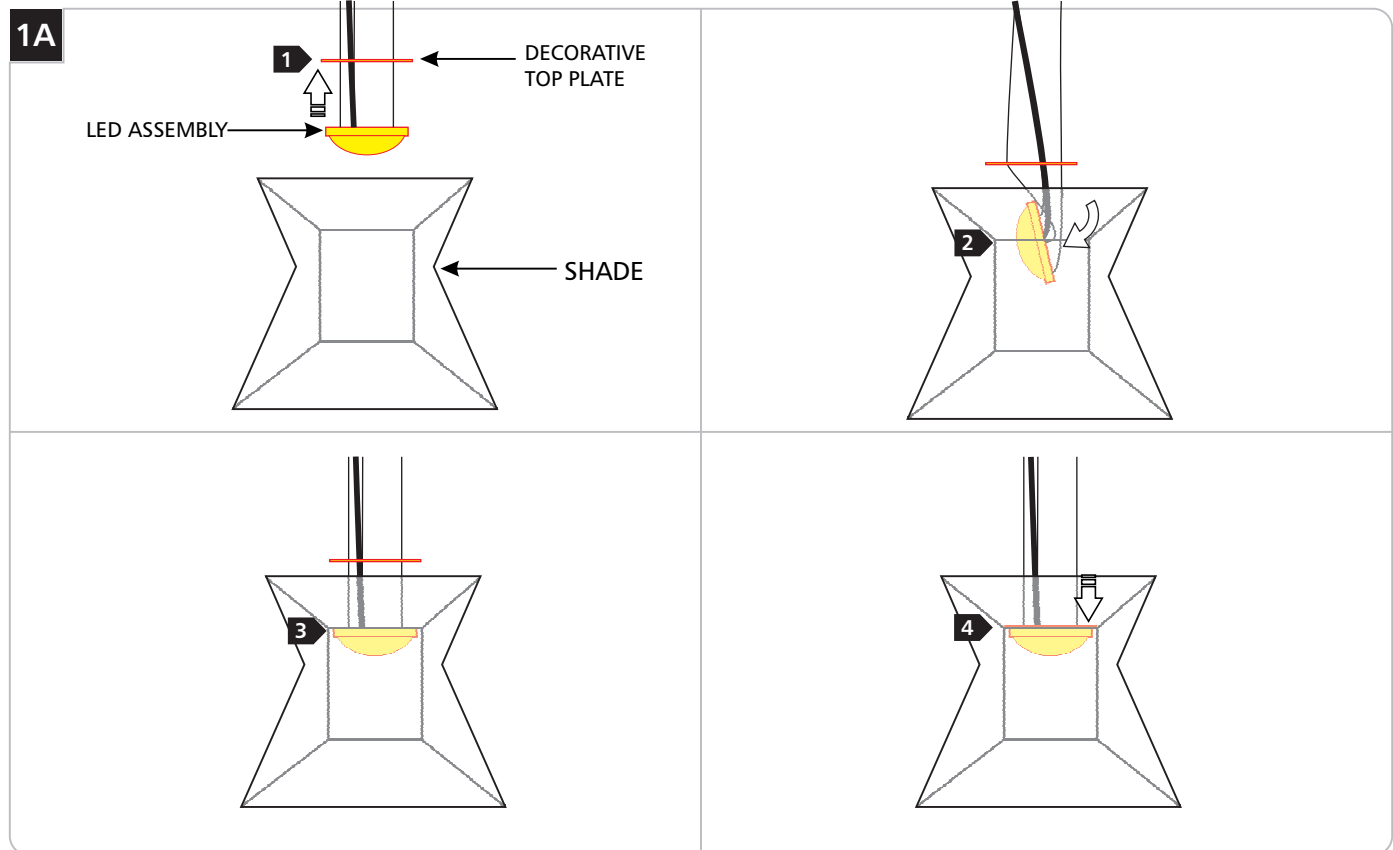
This product is suitable for damp locations.

This product may be dimmed with a low-voltage electronic or 0-10V dimmer.

**CAUTION - RISK OF FIRE**  
 This product must be installed in accordance with the applicable installation code by a person familiar with the construction and operation of the product and the hazards involved.  
**Use minimum 90°C supply conductors.**

**SAVE THESE INSTRUCTIONS!**

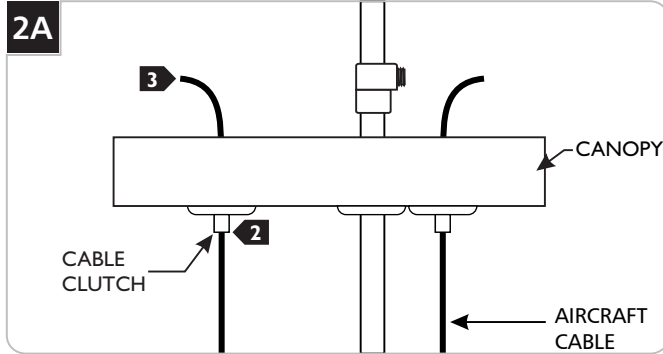
## Assemble the Fixture



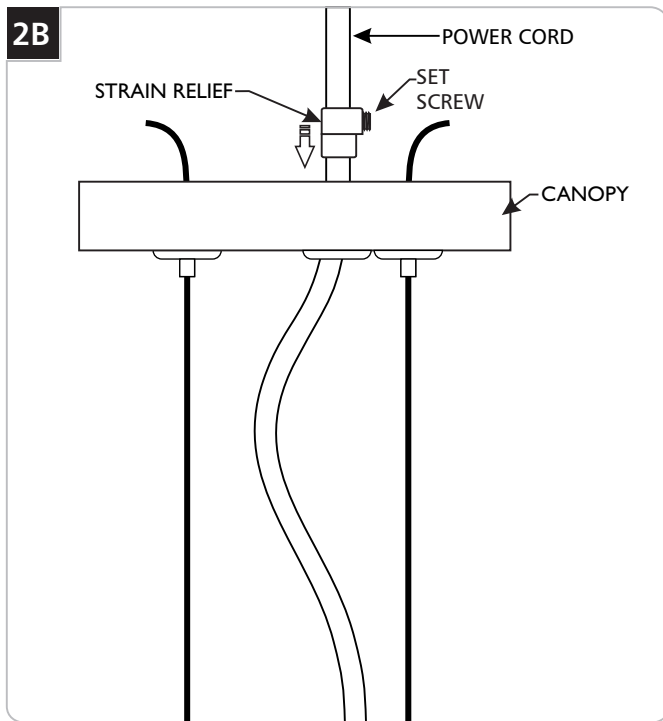
- 1 Slide the decorative top plate away from the LED assembly.
- 2 Rotate the LED assembly and insert it into the shade through the top.
- 3 Rotate the LED assembly back so the shade rests on the LED module when hanging.
- 4 Slide the decorative plate back down so it rests on top of the shade.

## Shorten the Fixture (Optional)

**NOTE:** Make sure to support the fixture while adjusting the aircraft cables. An assistant is recommended to complete the remaining steps.

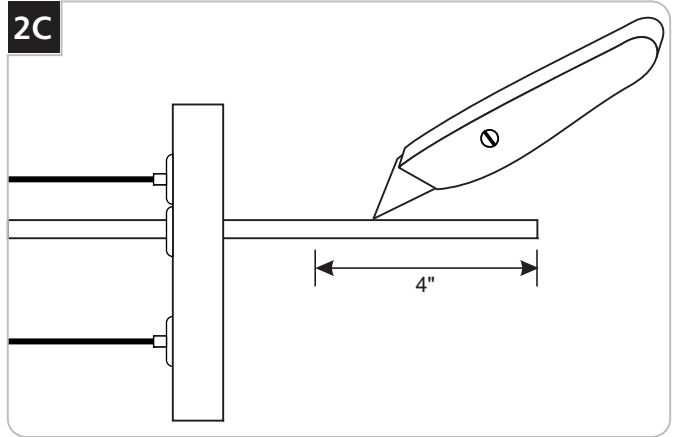


- 1 Refer to step 3A to remove the mounting plate.
- 2 Evenly pull the aircraft cables up through the canopy to raise the fixture to the desired length.
- 3 Cut off the excess aircraft cable leaving enough for fine leveling later.



**NOTE:** The power cord does not support the fixture. For a casual "lazy cord" look, cut the power cord several inches longer than the drop height of the fixture.

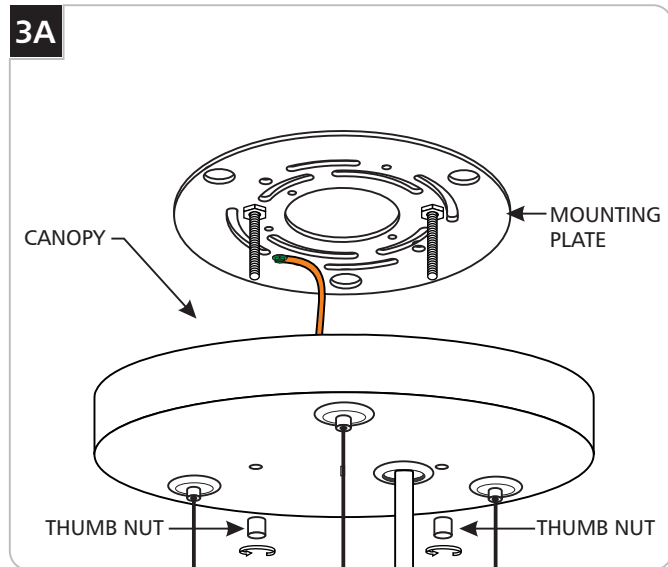
- 4 Pull the cord through the canopy until the desired look is achieved. Loosen the set screw in the strain relief, slide the strain relief down the power cord towards the canopy, then re-tighten the set screw.



- 5 Leave 6" of the cord behind the canopy for power connections. Cut the excess cord.
- 6 From the end of the cord, strip the insulation 4" using a sharp knife. **Make sure not to nick the inner wires.**
- 7 Strip the end of the wires.

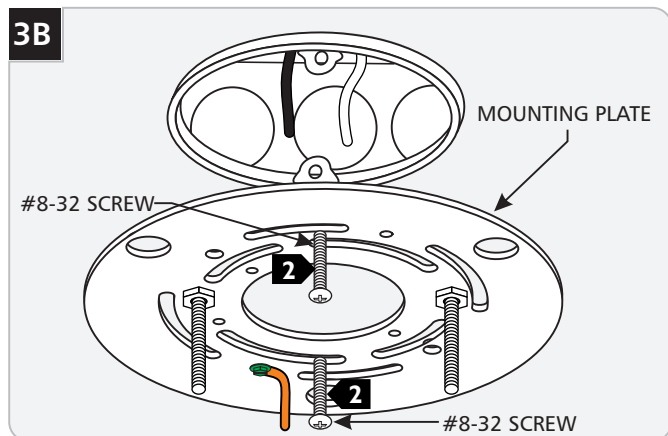
## Install the Fixture

3A



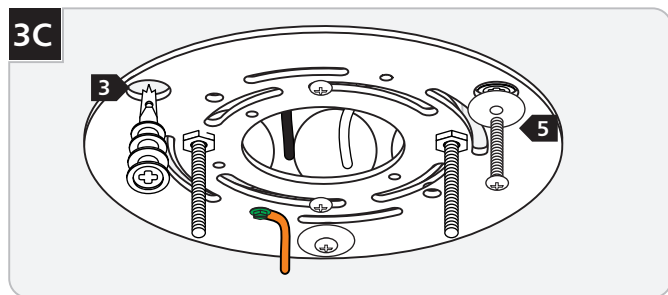
- 1 Remove the mounting plate from the assembly by unscrewing the two thumb nuts.

3B



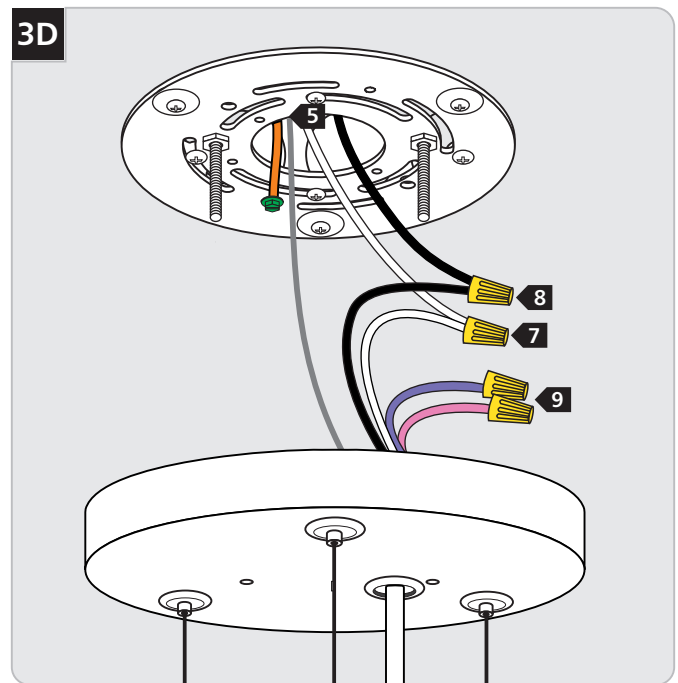
- 2 Secure the mounting plate to the electrical box with 2 #8-32 screws.

3C

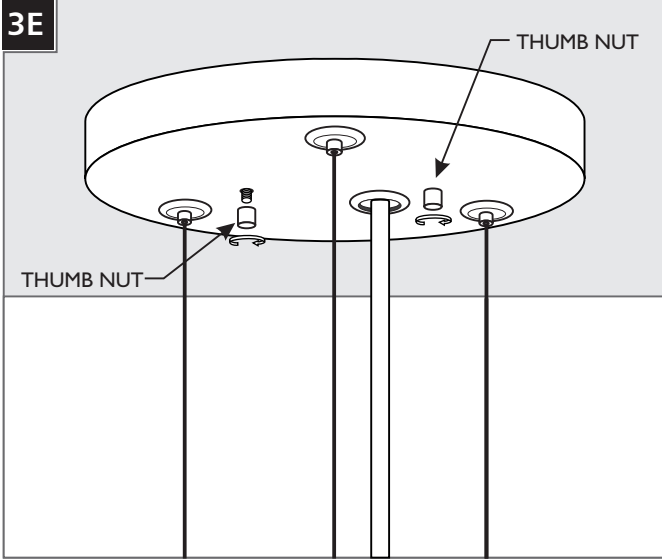


- 3 Line the anchor tips with the center of the anchor holes, and push the anchors into the wall up to the threads.
- 4 Screw the anchors in the rest of the way with a Phillips-head screwdriver.
- 5 Slide each #8 screw through a washer, and screw them into the anchors to secure the mounting plate.

3D



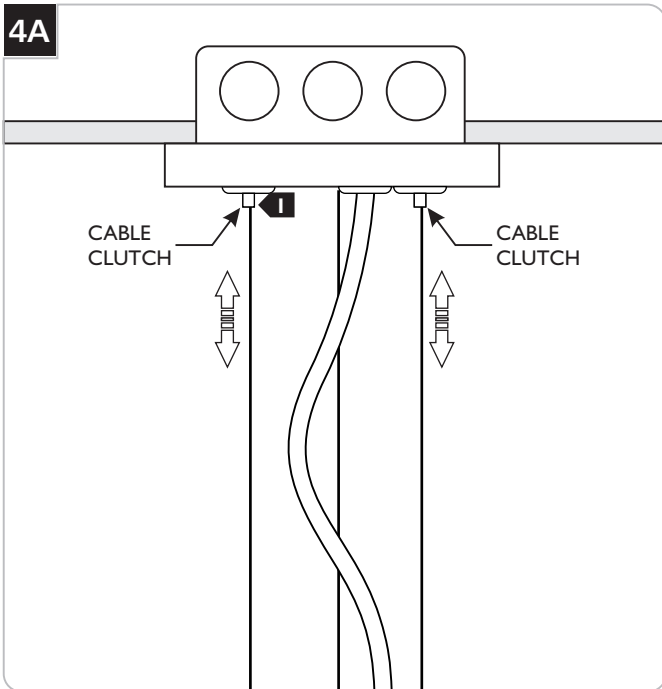
- 6 Connect the fixture and the crossbar ground wire to a suitable ground in accordance with local electrical codes.
- 7 Connect the white driver wire to the neutral power line wire.
- 8 Connect the black driver wire to the hot power line wire.
- 9 Use the gray/pink and purple dimming wires for 0-10V dimming application (if not in use, make sure to cap these wires off).



**NOTE:** It is recommended that one person hold the fixture while the electrician finishes the installation.

- 10 Place all wires, wire nut connections, driver, and the secondary strain relief properly inside the canopy.
- 11 Install the canopy onto to crossbar as secure it tightly with the two thumb nuts.

## Adjust the Suspension Cables



- 1 If necessary, adjust the aircraft cables until the fixture is level; feed the cable into the cable clutch to raise the fixture and push in on the cable clutch nipple to release the cable and lower the fixture.

**TECH LIGHTING**

7400 Linder Ave., Skokie, IL 60077  
 T 847.410.4400 | F 847.410.4500  
[www.techlighting.com](http://www.techlighting.com)