

# Gambit Wall & Gambit Triple Wall

700WSGMBSC\_700WSGMBTC\_ 1.0

## VISUAL COMFORT & Co.

MODERN COLLECTION

### GENERAL PRODUCT INFORMATION:

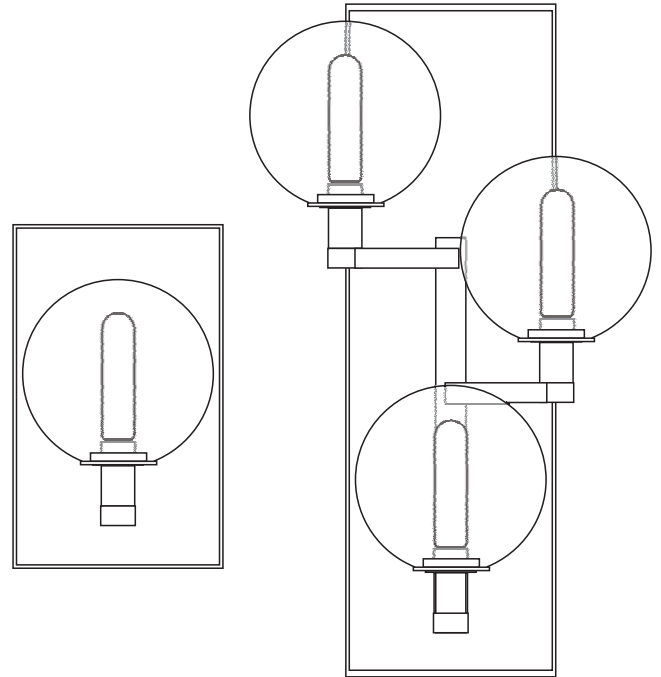
This product is suitable for damp locations.

These fixtures are intended to be installed utilizing NEC compliant junction boxes.

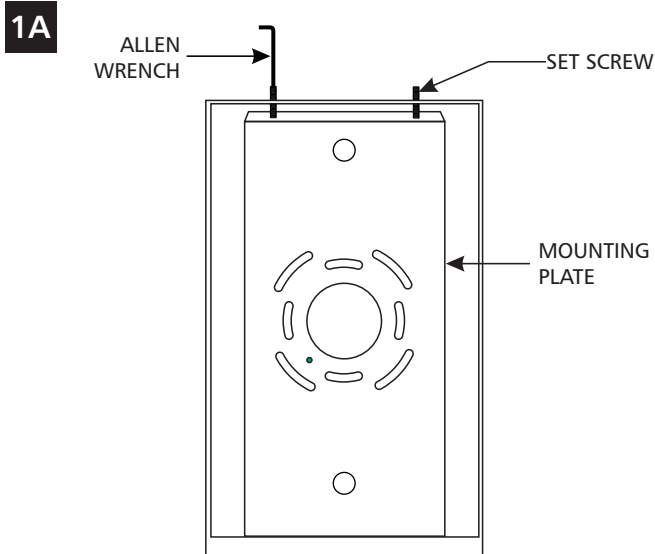
This product can be dimmed with a LED or TRIAC dimmer. Consult lamp manufacturer for additional information.



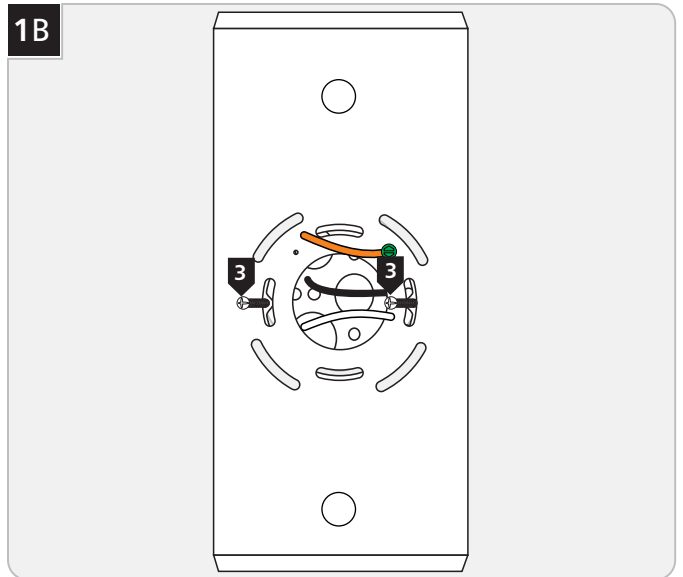
**CAUTION - RISK OF FIRE**  
 This product must be installed in accordance with the applicable installation code by a person familiar with the construction and operation of the product and the hazards involved.  
 Use minimum 90°C supply conductors.



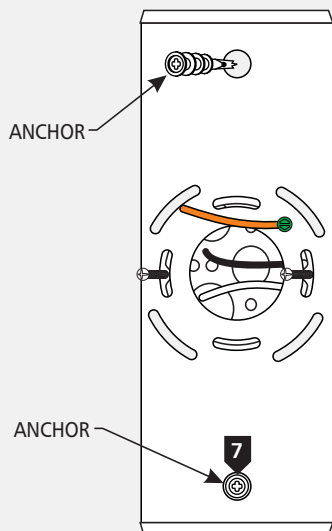
### Install the Fixture



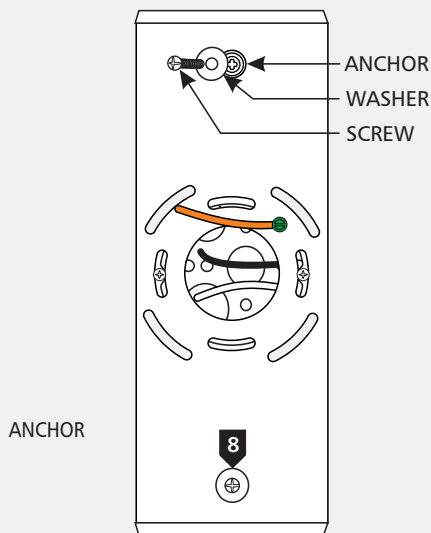
- 1 With the Allen wrench provided, back out (do not fully remove) the set screw at the base of the fixture.
- 2 Remove the mounting plate from the back of the fixture.



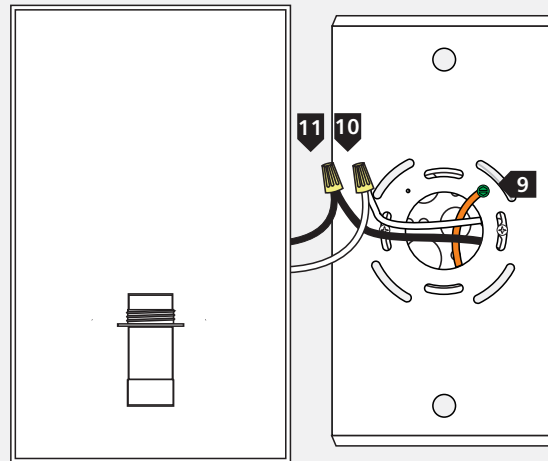
- 3 Level the mounting plate and secure it to the electrical box with the two #8-32 screws provided.

**1C**

- 4** Verify that the mounting plate is level before continuing.
- 5** Line an anchor tip with the center of an anchor hole, and push the anchor into the wall up to the threads.
- 6** Screw the anchor in the rest of the way with a Phillips-head screwdriver.
- 7** Repeat for the other anchor hole.

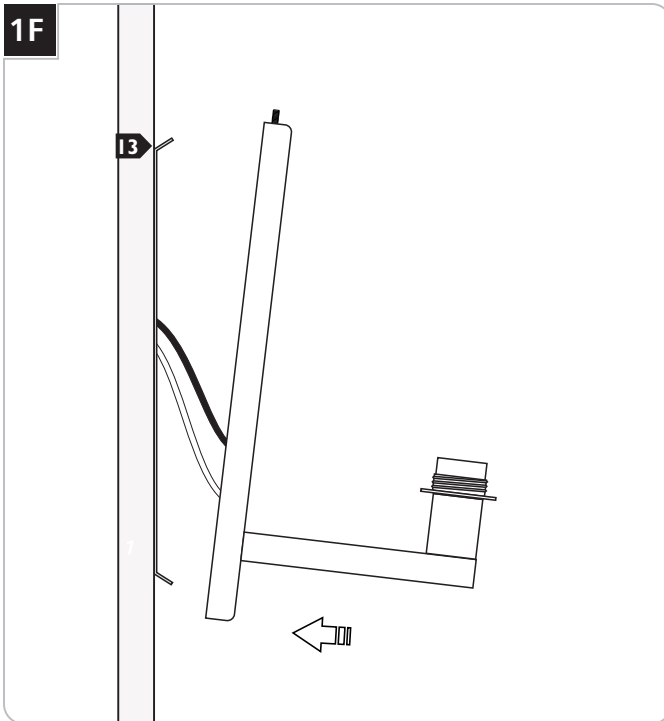
**1D**

- 8** Slide a #8 screw through a washer, and screw it into an anchor to secure the fixture base to the wall. Repeat for the other anchor.

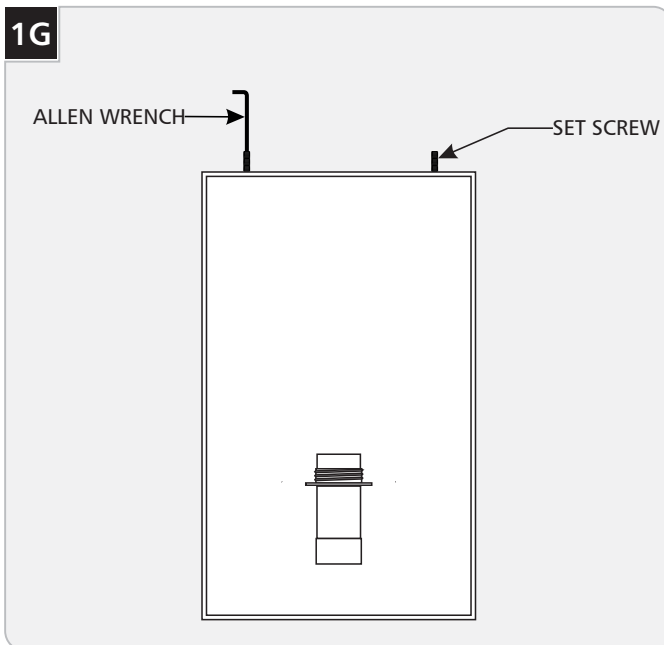
**1E**

- 9** Connect the mounting plate ground wire to a suitable ground according to local electrical codes.
- 10** Connect the white fixture wire to the neutral power line wire with a wire nut.
- 11** Connect the black fixture wire to the hot power line wire with a wire nut.

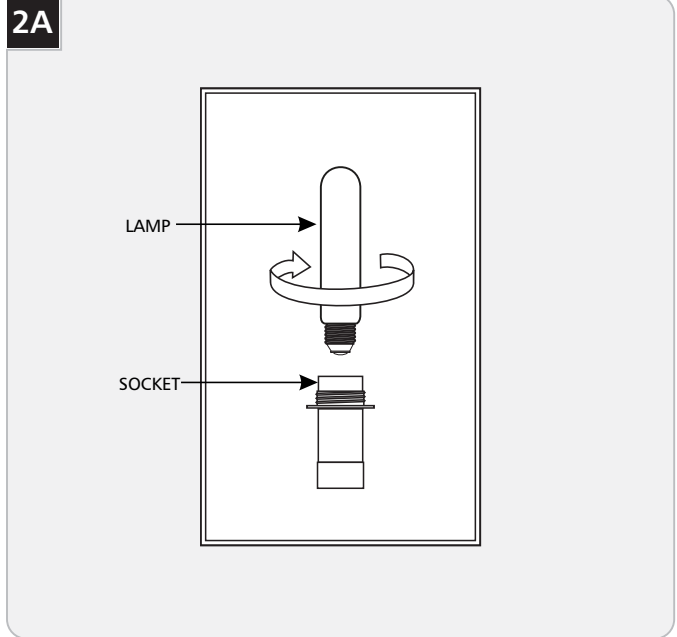
## Install the Lamp and Diffuser



- 12 Properly place all wires and wire nut connections into the electrical box.
- 13 Hook the top of the fixture to the bottom of the mounting plate and swing the top of the fixture toward the plate until it is flush with the wall.



- 14 With the allen wrench, tighten the set screws at the top of the fixture to secure it to the mounting plate.

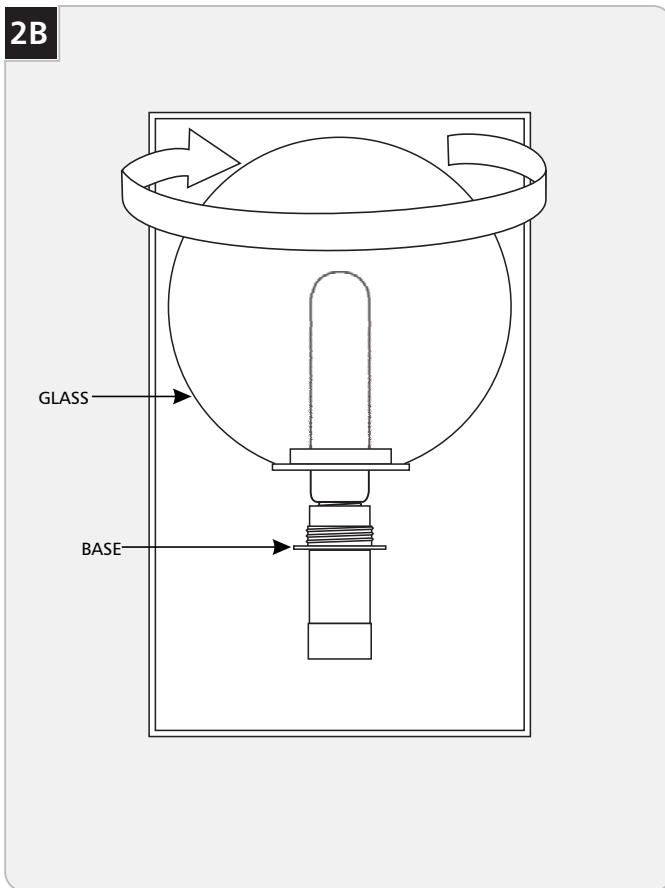


**CAUTION:** To reduce the risk of a burn or electric shock during relamping, disconnect the power to the fixture.

Refer to fixture marking for lamp information

- 1 Screw the lamp into the socket.

2B



**CAUTION: DO NOT OVER TIGHTEN** the glass. This may break the glass resulting in injury.

2 Gently screw the glass onto it's base.

**SAVE THESE INSTRUCTIONS!**

VISUAL COMFORT & CO.

7400 Linder Ave, Skokie, IL 160077

800.969.3347

**[www.visualcomfort.com](http://www.visualcomfort.com)**

©2023 Visual Comfort & Co.. All rights reserved. The Visual Comfort & Co. logo is a registered trademark of Visual Comfort & Co. Visual Comfort & Co. reserves the right to change specifications for product improvements without notification