

Exo Single Ceiling

700FMEXO_-LED 1.0

VISUAL COMFORT & Co.

MODERN COLLECTION

GENERAL PRODUCT INFORMATION:

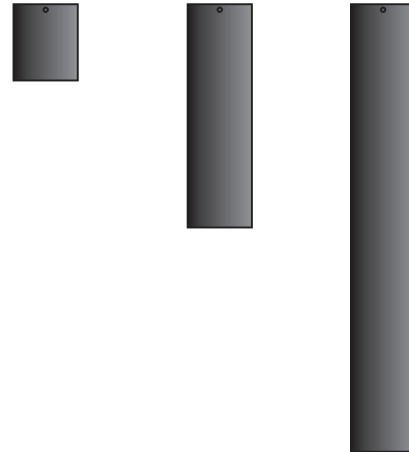
These fixtures are intended to be installed utilizing NEC compliant junction boxes.



This product is suitable for damp locations.

This product can be dimmed with a low-voltage electronic dimmer, 0-10V dimmer or TRIAC dimmer.

This instruction shows a typical installation.

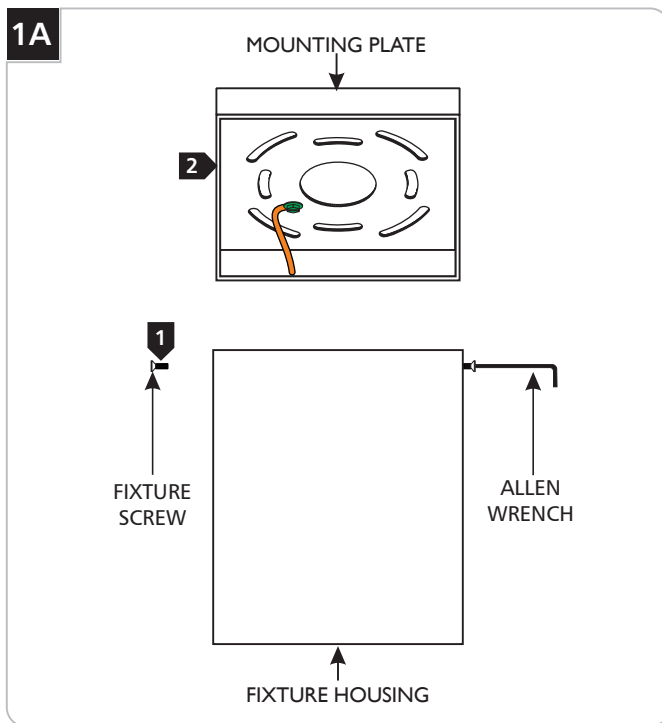


CAUTION - RISK OF FIRE

This product must be installed in accordance with the applicable installation code by a person familiar with the construction and operation of the product and the hazards involved.

Use minimum 90°C supply conductors.

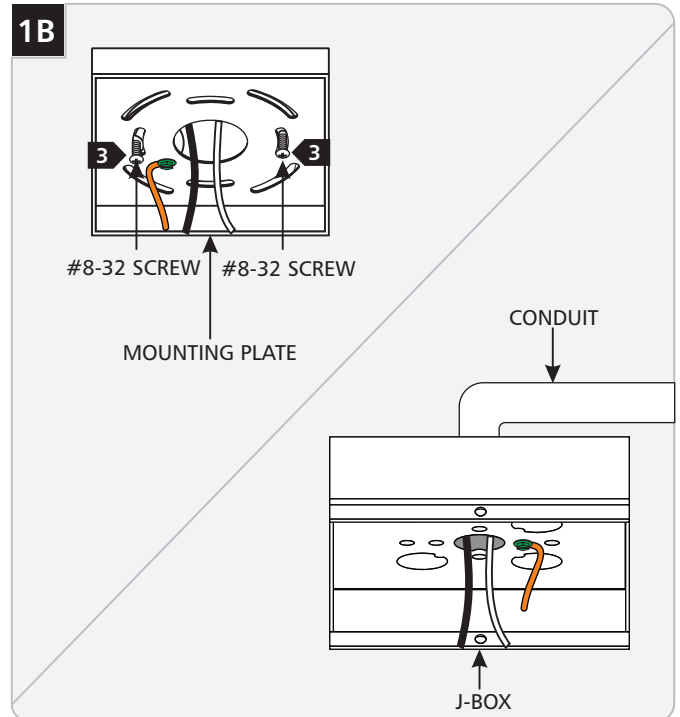
Install the Mounting Plate



1 Remove the fixture screws located on both sides of the fixture housing using the provided Allen wrench.

2 Remove the mounting plate from the fixture base.

Note: If using the optional Exo J-Box for open ceiling configurations you can discard the mounting plate, but **save the fixture screws.**

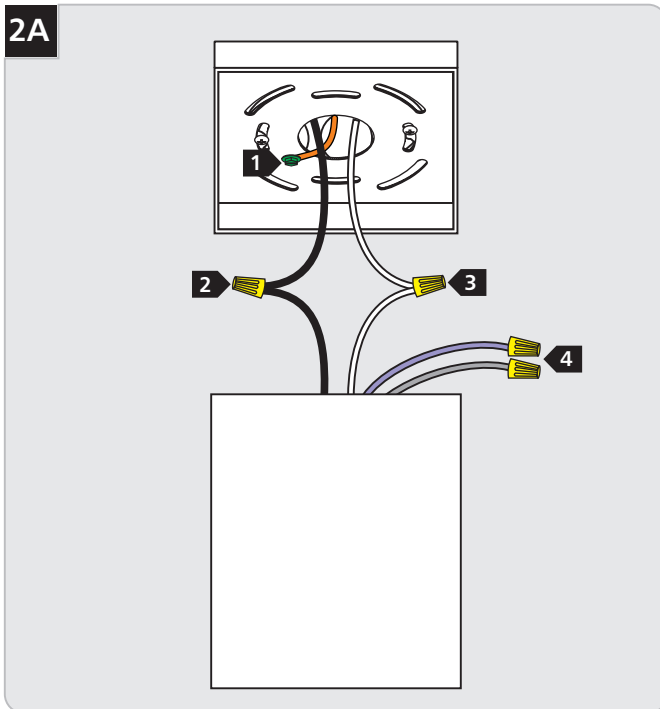


3 Secure the mounting plate to the electrical box with the two provided #8-32 screws.

4 (Optional): If using the Exo J-Box connect the conduit or romex to any of the available knockouts.

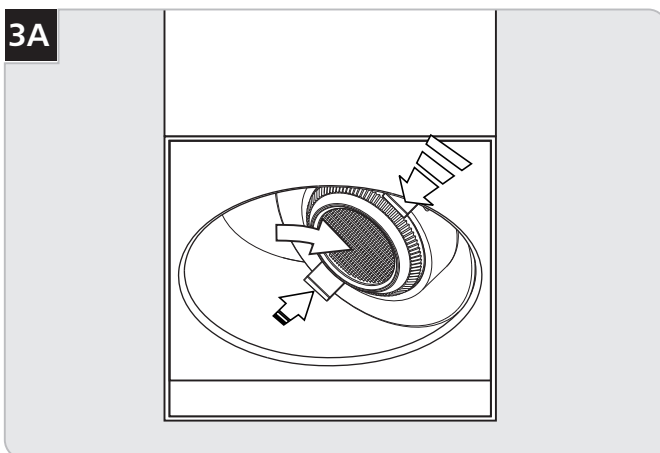
Note: If using the optional Exo J-Box for open ceiling configurations secure the J-Box in accordance with local codes. **Mounting hardware for the Exo J-Box is not included and should be supplied by the installer.**

Install the Fixture



- 1 Connect the fixture to a suitable ground in accordance with local electrical codes.
- 2 Connect the black driver wire to the hot power line wire with a wire nut.
- 3 Connect the white driver wire to the neutral power line wire with a wire nut.
- 4 For 0-10V dimming, use the purple and gray wires to connect to a compatible dimmer.
- 5 Place all wires and wire nut connections inside the fixture base.
- 6 Install the fixture housing to the mounting plate or Exo J-Box using the fixture screws (reversal of step 1A).

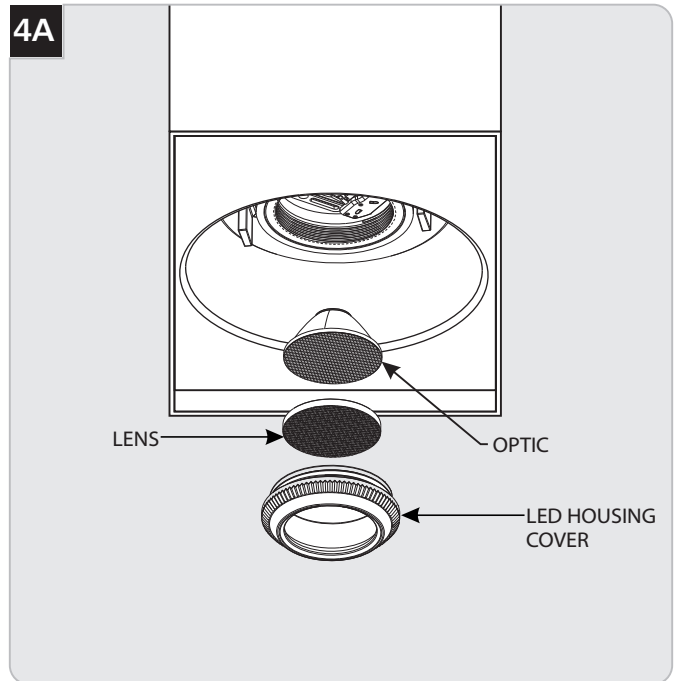
Adjust the Module



WARNING: Always squeeze the two tabs when adjusting the LED housing. Failure to do so will damage the finish.

- 1 Squeeze the LED housing tabs and rotate the LED housing to the desired position.

Optics and Lenses



- 1 Unscrew and remove the LED housing cover.
- 2 Remove the optic.
- 3 If installing an optional lens, rest the lens inside the housing cover.
- 4 Install the optic (replacement or existing) inside the LED housing cover.
- 5 Screw the LED housing cover back on.

SAVE THESE INSTRUCTIONS!

VISUAL COMFORT & CO.

7400 Linder Ave, Skokie, IL 160077

800.969.3347

www.visualcomfort.com

©2023 Visual Comfort & Co.. All rights reserved. The Visual Comfort & Co. logo is a registered trademark of Visual Comfort & Co. Visual Comfort & Co. reserves the right to change specifications for product improvements without notification