

Exo Dual Ceiling

700FMEXOD_-LED 1.0

VISUAL COMFORT & Co.

MODERN COLLECTION

GENERAL PRODUCT INFORMATION:

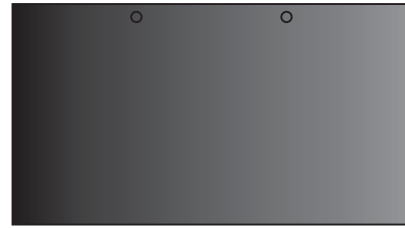
These fixtures are intended to be installed utilizing NEC compliant junction boxes.



This product is suitable for damp locations.

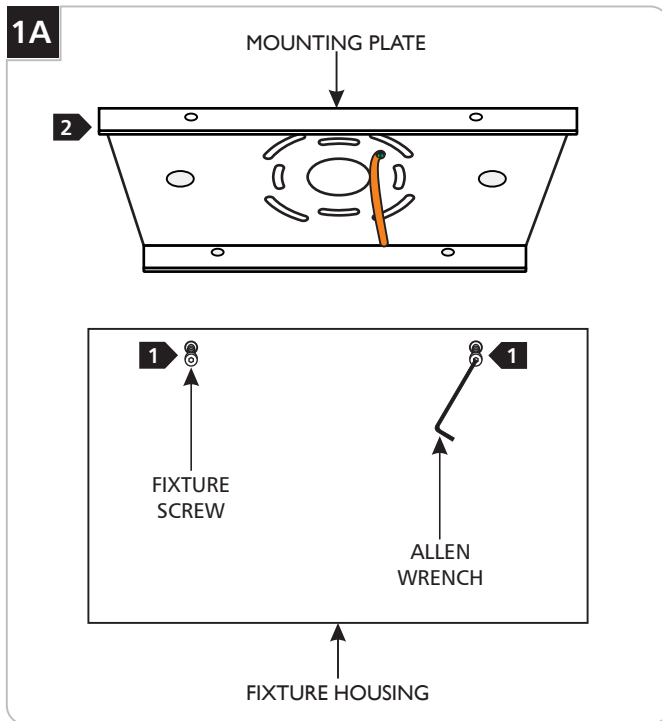
This product can be dimmed with a low-voltage electronic dimmer, 0-10V dimmer or TRIAC dimmer.

This instruction shows a typical installation.

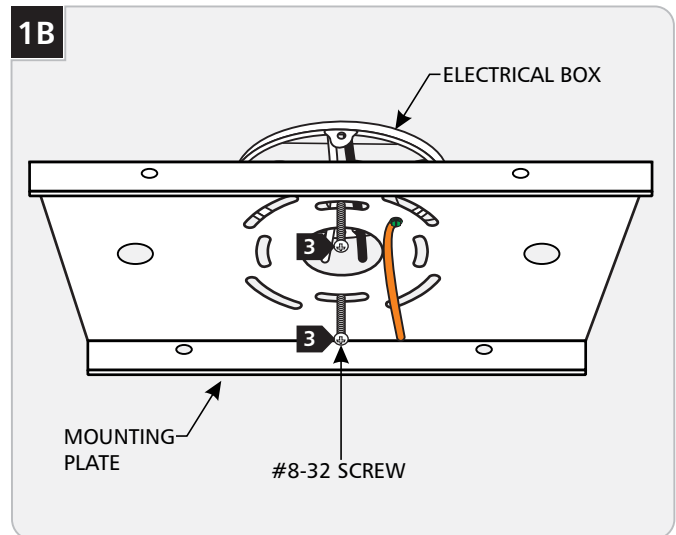


CAUTION - RISK OF FIRE
 This product must be installed in accordance with the applicable installation code by a person familiar with the construction and operation of the product and the hazards involved.
 Use minimum 90°C supply conductors.

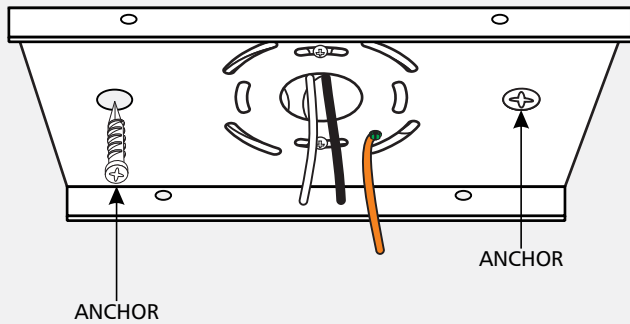
Install the Mounting Plate



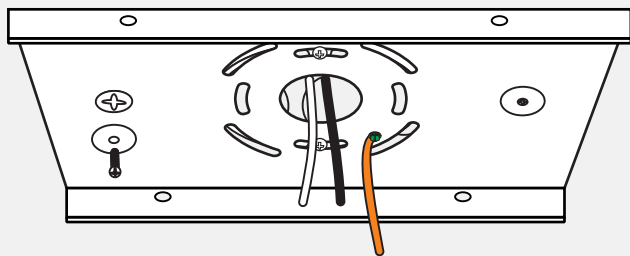
- 1 Remove the fixture screws located on both sides of the fixture housing using the provided Allen wrench.
- 2 Remove the mounting plate from the fixture base.



- 3 Secure the mounting plate to the electrical box with the two #8-32 screws provided.

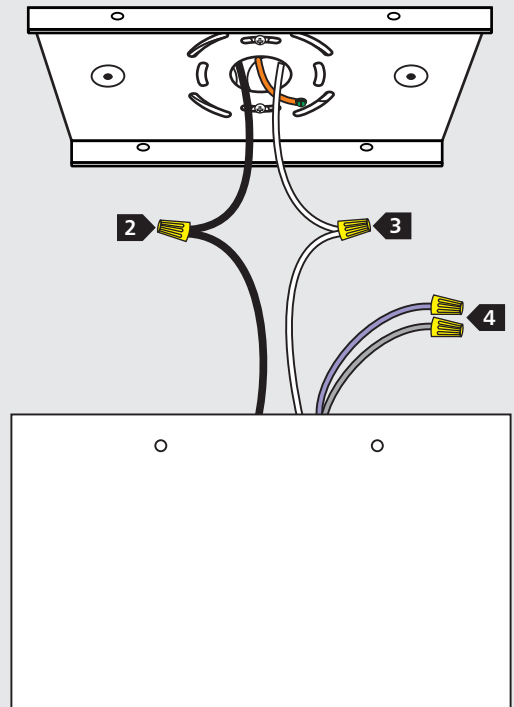
1C

- 4** Line up an anchor with the center of a backplate hole and push the anchor in up to the threads.
- 5** Screw the anchor the rest of the way in with a screwdriver.

1D

- 6** Secure the backplate to the anchor with a screw and washer.
- 7** Repeat steps 4-6 for the remaining anchor hole.

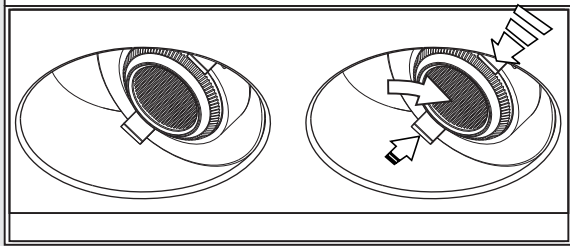
Install the Fixture

2A

- 1** Connect the fixture to a suitable ground in accordance with local electrical codes.
- 2** Connect the black driver wires to the hot power line wire with a wire nut.
- 3** Connect the white driver wires to the neutral power line wire with a wire nut.
- 4** For 0-10V dimming, use the purple and gray wires to connect to a compatible dimmer.
- 5** Place all wires and wire nut connections inside the fixture base.
- 6** Reinstall the fixture housing to the mounting plate using the fixture screws (reversal of step 1A).

Adjust the Module

3A

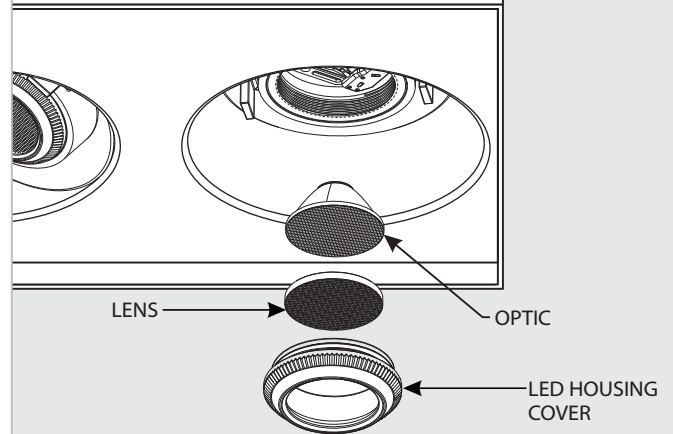


WARNING: Always squeeze the two tabs when adjusting the LED housing. Failure to do so will damage the finish.

- 1 Squeeze the LED housing tabs and rotate the LED housing to the desired position.

Optics and Lenses

4A



- 1 Unscrew and remove the LED housing cover.
- 2 Remove the optic.
- 3 If installing an optional lens, rest the lens inside the housing cover.
- 4 Install the optic (replacement or existing) inside the LED housing cover.
- 5 Screw the LED housing cover back on.

SAVE THESE INSTRUCTIONS!

VISUAL COMFORT & CO.

7400 Linder Ave, Skokie, IL 160077

800.969.3347

www.visualcomfort.com

©2023 Visual Comfort & Co.. All rights reserved. The Visual Comfort & Co. logo is a registered trademark of Visual Comfort & Co. Visual Comfort & Co. reserves the right to change specifications for product improvements without notification