

# Coda Pendant

700TDCDAP\_ 1.1



## PENDANTS

### GENERAL PRODUCT INFORMATION:

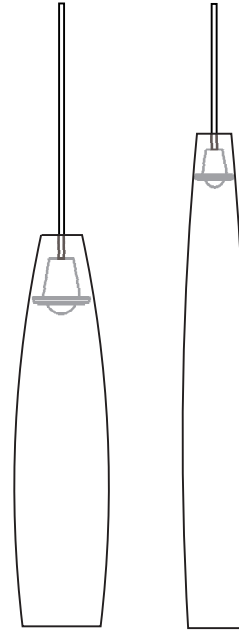
These fixtures are intended to be installed utilizing NEC compliant junction boxes.



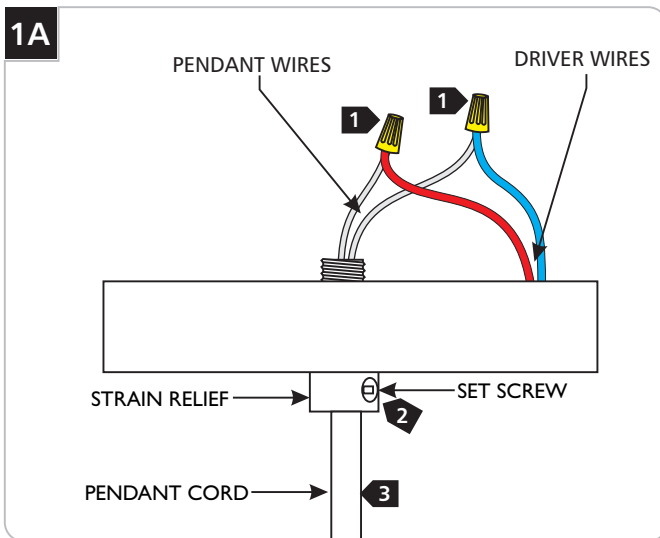
This product is suitable for damp locations.

This product may be dimmed using a low-voltage electronic dimmer.

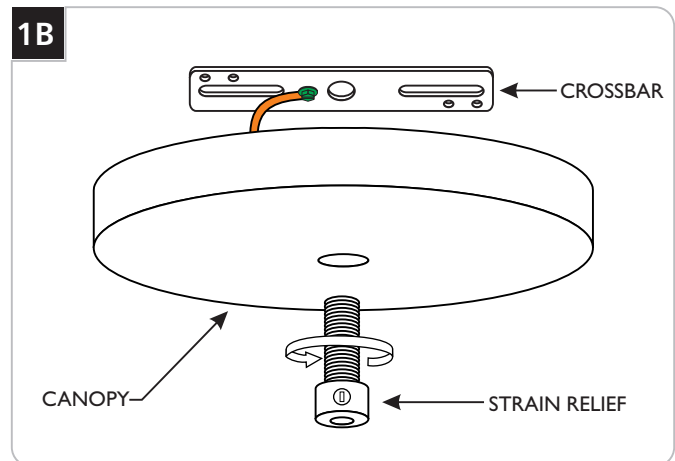
This instruction shows a typical installation.



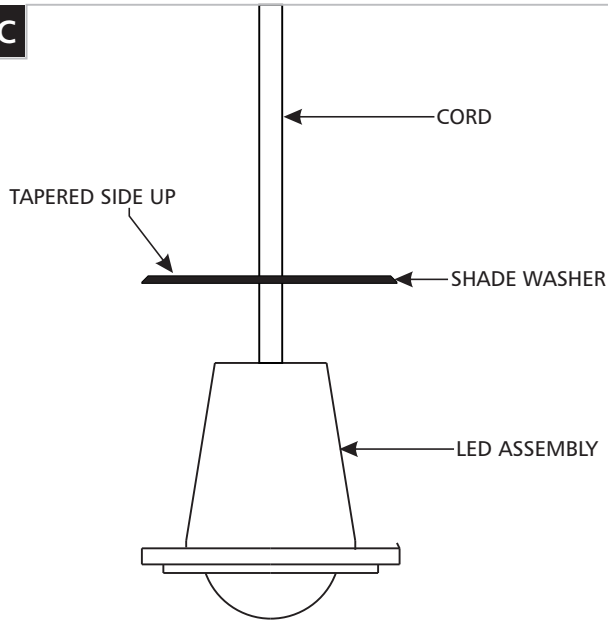
## Assemble the Pendant



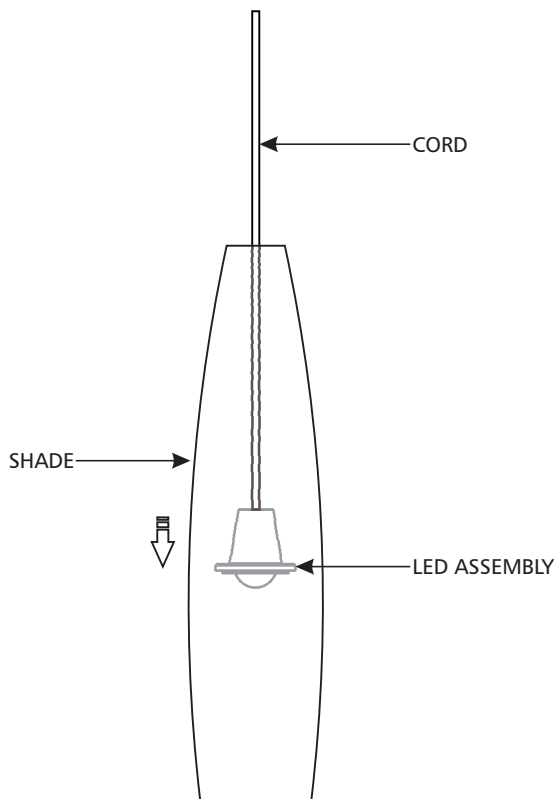
- 1** Take note of the wire connections and disconnect the pendant wires from the driver wires by removing the wire nuts.
- 2** Loosen (**Do Not Remove**) the set screw on the strain relief.
- 3** Carefully pull the pendant cord out of the strain relief.



- 4** Remove the crossbar from the canopy by completely unscrewing the strain relief.

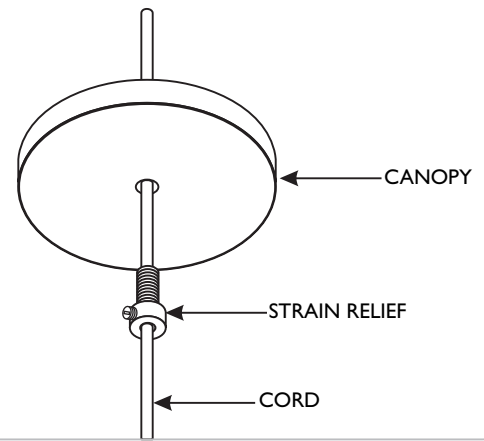
**1C**

- 5 Feed the pendant cord through the shade washer and rest it on the LED assembly **tapered side up**.

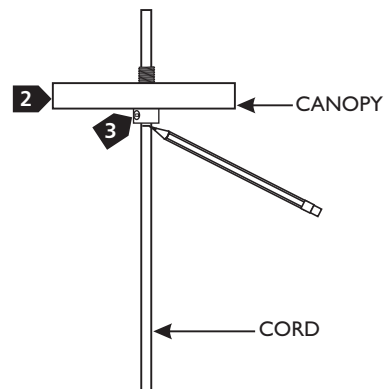
**1D**

- 6 Feed the fixture cord completely through the shade and gently lower the shade onto the LED assembly.
- 7 Adjust the shade until it is level on the LED assembly.

## Install the Fixture

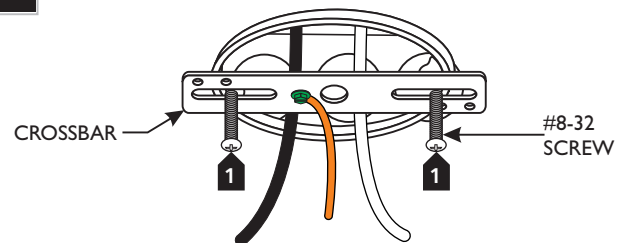
**2A**

- 1 Feed the cord through the primary strain relief and the canopy.

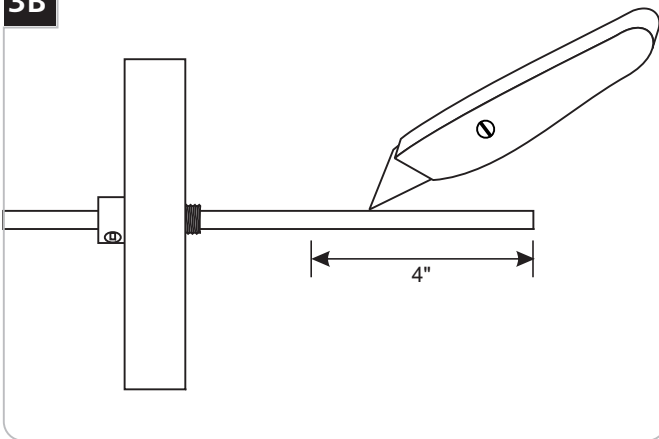
**2B**

- 2 Adjust the fixture height (from bottom of the fixture shade to top of the canopy) by moving the canopy and strain relief up or down.
- 3 When the desired height is achieved, tighten the set screw on the strain relief.
- 4 Mark the cord underneath the strain relief.

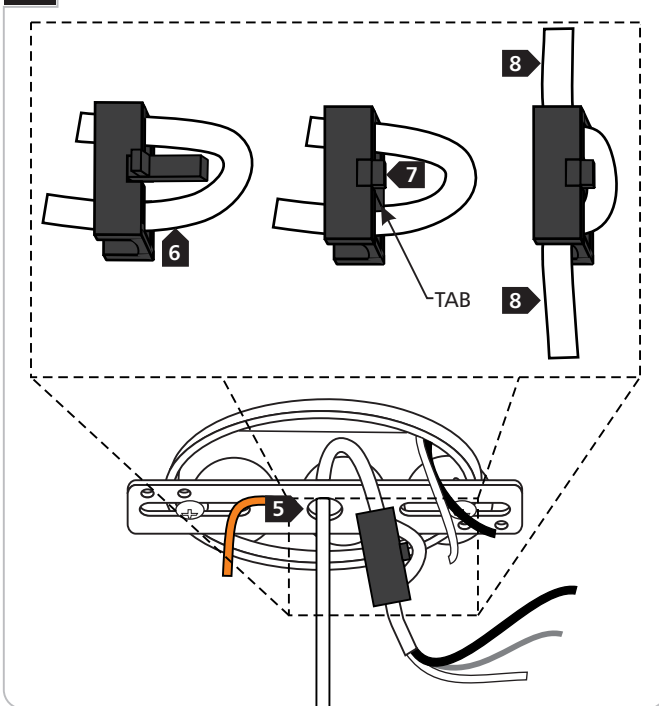
## Install the Canopy

**3A**

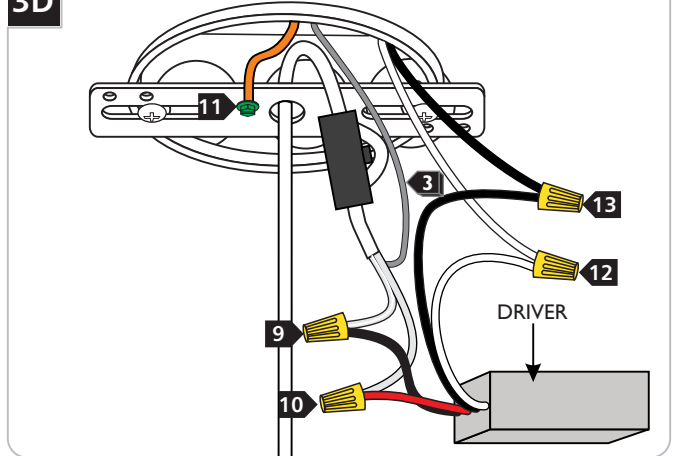
- 1 Mount the crossbar assembly to the electrical box with the two provided #8-32 screws.

**3B**

- 2 Leave 6" of the cord behind the canopy for power connections. Cut the excess cord.
- 3 From the end of the cord, strip the insulation 4" using a sharp knife. **Make sure not to nick the inner wires.**
- 4 Strip the end of the wires.

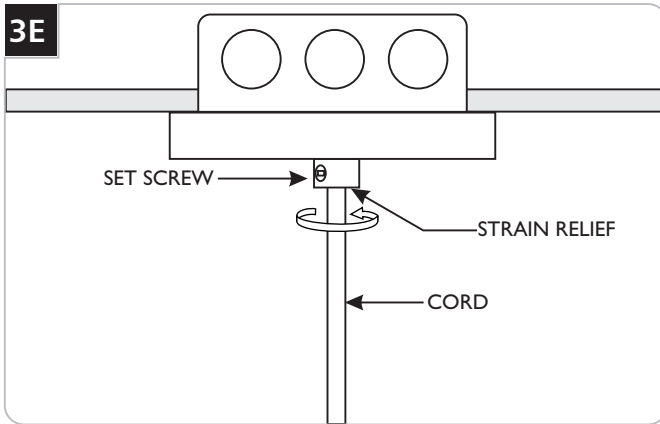
**3C**

- 5 Feed the fixture wires through the crossbar center hole and then pull them out of the electrical box.
- 6 Install the secondary strain relief by first feeding the cord through it.
- 7 Snap the strain relief tab into place.
- 8 Pull the cord to take up the slack and fit the rest of the cord in the strain relief's openings.

**3D**

- 9 Re-connect the negative (black) driver wire to the pendant wire with white tracer with a wire nut.
- 10 Re-connect the positive (red) driver wire to the remaining pendant wire with a wire nut.
- 11 Connect the fixture and the crossbar ground wire to a suitable ground in accordance with local electrical codes.
- 12 Connect the white driver wire to the neutral power line wire with a wire nut.
- 13 Connect the black driver wire to the hot power line wire with a wire nut.


3E



**NOTE:** It is recommended that one person hold the fixture while the electrician finishes the installation.

- 14 Place all wires, wire nut connections, driver, and the secondary strain relief properly inside the canopy.
- 15 Loosen the set screw on the primary strain relief.
- 16 Align the canopy center hole with the crossbar center hole.
- 17 Slide the canopy up against the ceiling and secure it in place by tightening the primary strain relief into the crossbar. **Do not turn the cord.**
- 18 Push the cord into the canopy and line up the marked point on the cord with bottom of the primary strain relief.
- 19 Tighten the plastic set screw to secure the cord.

**SAVE THESE INSTRUCTIONS!**

 **TECH LIGHTING®**  
7400 Linder Ave, Skokie, IL 60077  
847.410.4400

**[www.techlighting.com](http://www.techlighting.com)**

© 2019 Tech Lighting, L.L.C. All rights reserved.  
Visual Comfort Group