

Viaggio Chandelier

700VGO_

1.1

VISUAL COMFORT & Co.

MODERN COLLECTION

GENERAL PRODUCT INFORMATION:

These fixtures are intended to be installed utilizing NEC compliant junction boxes.



Incandescent version may be dimmed with a standard incandescent dimmer. LED version may be dimmed with a LED dimmer. Consult lamp manufacturer for additional information.

This product is suitable for damp locations.

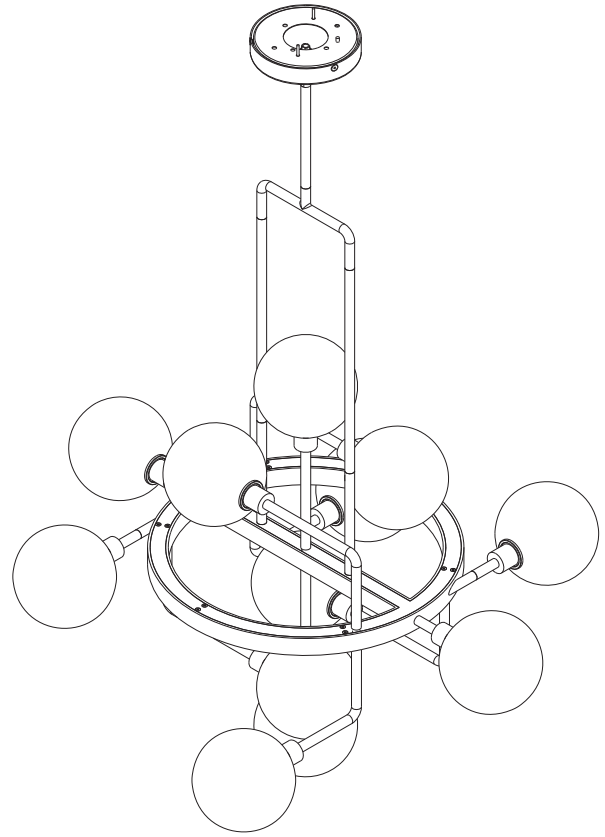
This instruction shows a typical installation.

CAUTION - RISK OF FIRE

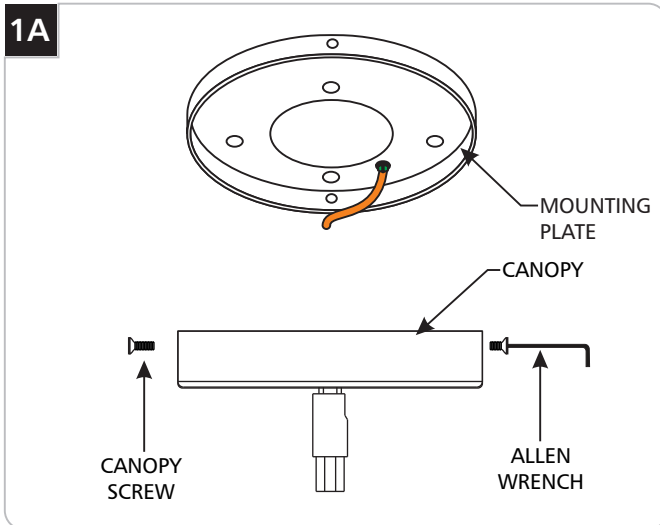
This product must be installed in accordance with the applicable installation code by a person familiar with the construction and operation of the product and the hazards involved.

Use minimum 90°C supply conductors.

Two Person Installation Recommended

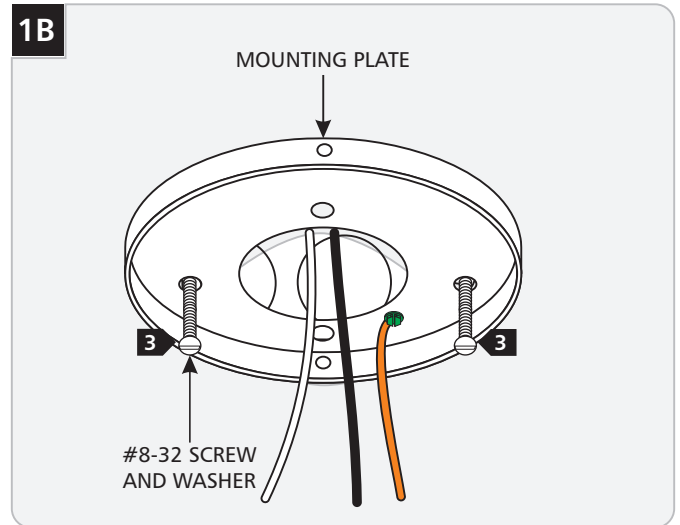


Install the Mounting Plate



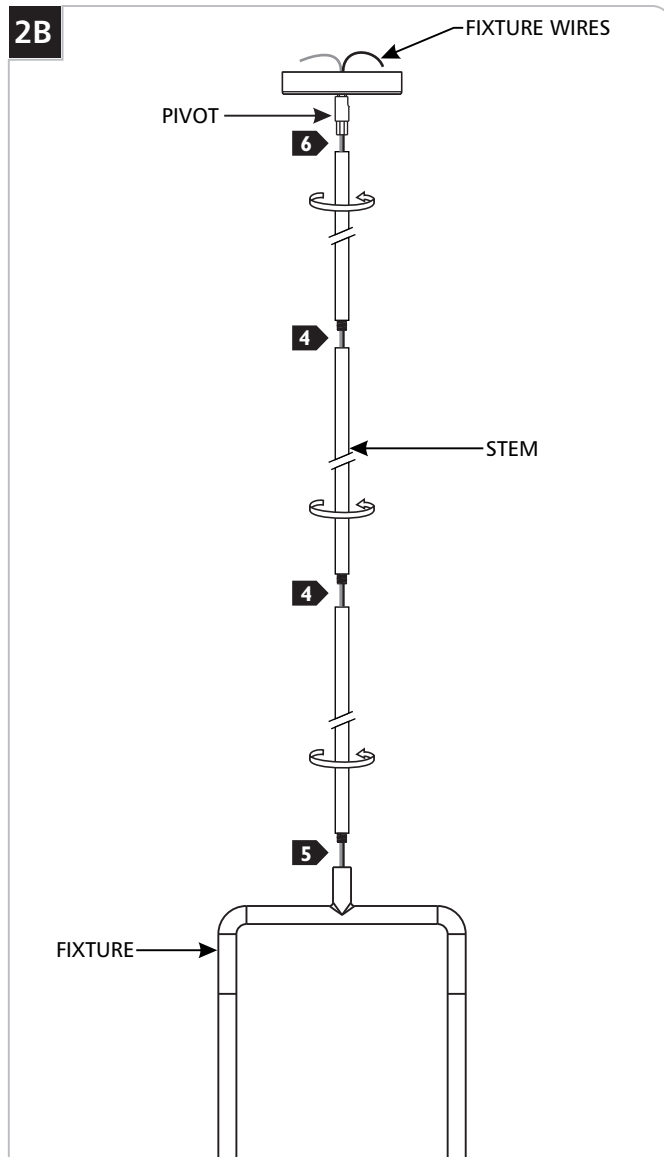
1 Remove the canopy screws using the provided Allen Wrench.

2 Remove the mounting plate from the canopy.



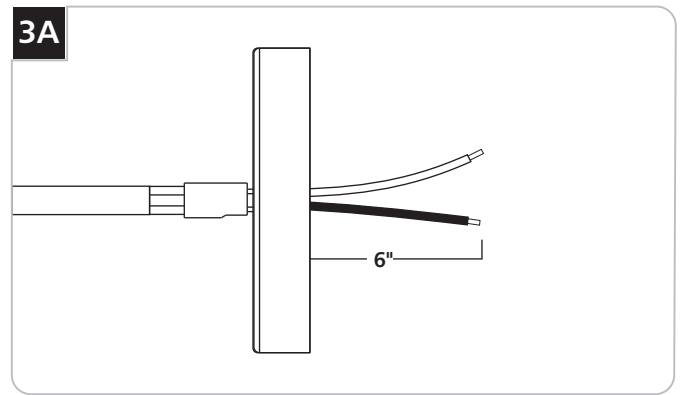
3 Secure the mounting plate to the electrical box with the #8-32 screws provided.

Assemble the Fixture

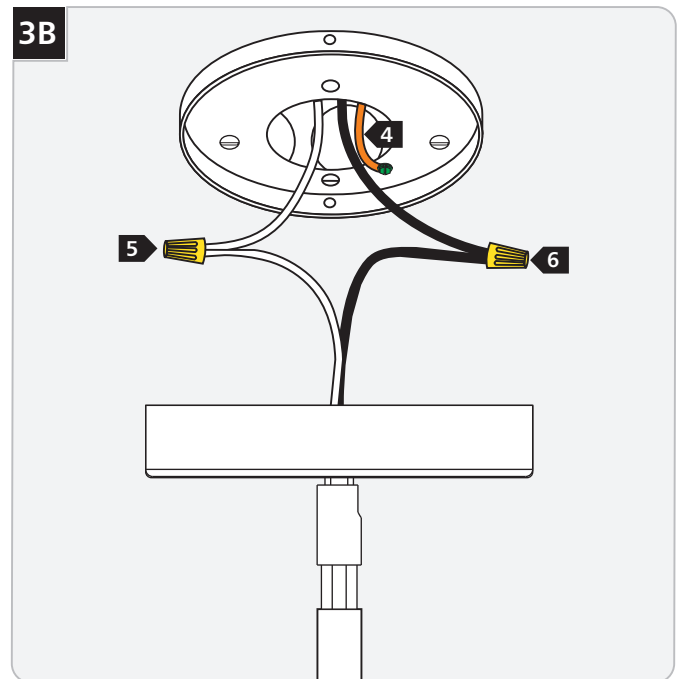


- 4 Determine desired length of fixture using the provided stems and assemble them by screwing them together. **CAUTION: Do not over-tighten the stems, as it may cause the stems to misalign.**
- 5 Feed the fixture wires through the stem assembly and screw it to the fixture.
- 6 Feed the fixture wires through the pivot and screw it onto the stem assembly.
- 7 Adjust the pivot as necessary. **Note:** pivot accommodates up to a 45 degree ceiling.

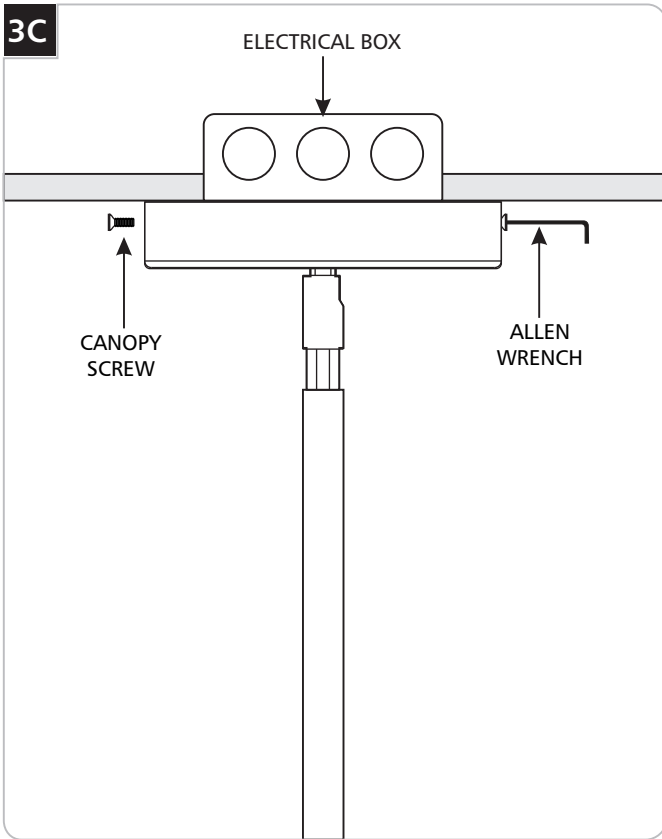
Install the Fixture



- 1 Leave 6" of the cord behind the canopy for power connections. Cut the excess cord.
- 2 From the end of the cord, strip the insulation .5" using a sharp knife. **Make sure not to nick the inner wires.**
- 3 Strip the end of the wires.

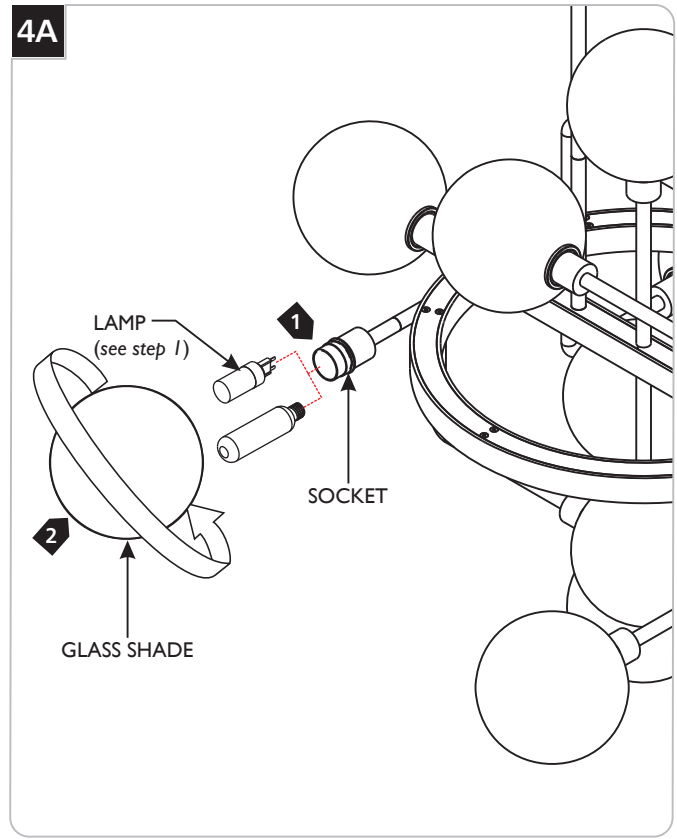


- 4 Connect the fixture to a suitable ground in accordance with local electrical codes.
- 5 Connect the white fixture wire to the neutral power line wire with a wire nut.
- 6 Connect the black fixture wire to the hot power line wire with a wire nut.

3C

- 7** Neatly place all wires and wire nut connections inside the canopy.
- 8** Align the canopy holes with the mounting plate holes. Secure the canopy in place by tightening the canopy screws using the provided Allen Wrench.

Install the Lamps and Glass

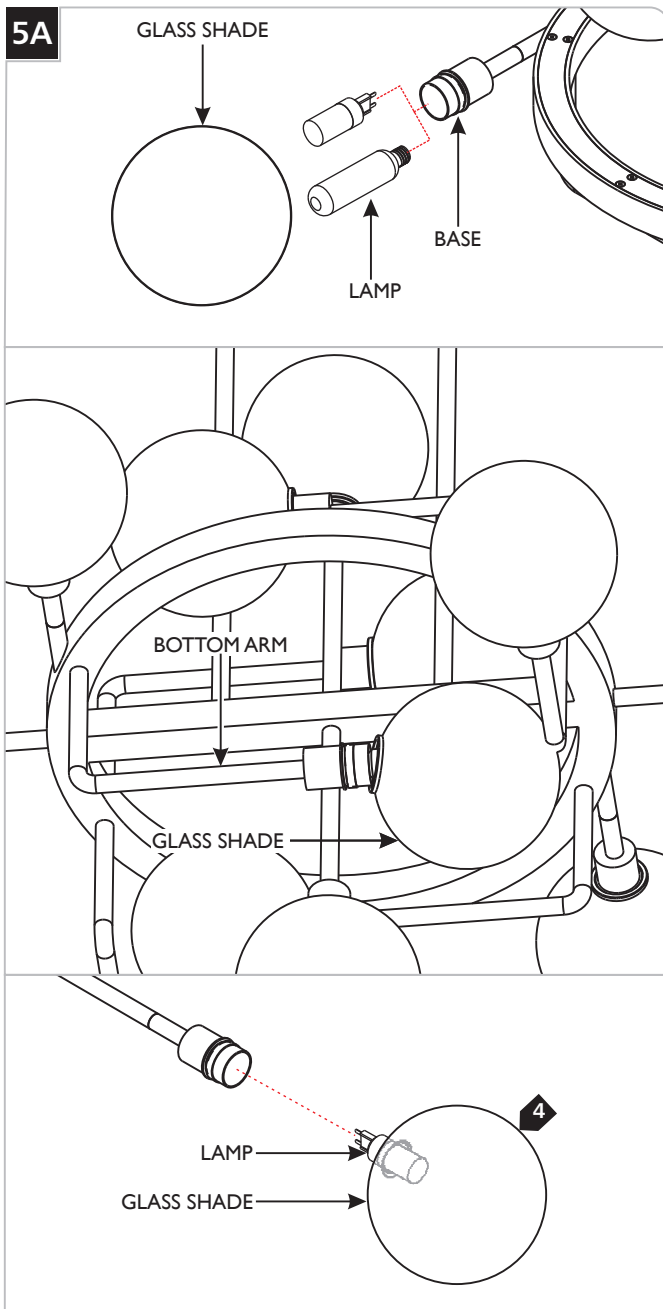
4A

CAUTION: To reduce the risk of a burn or electric shock during re-lamping, disconnect the power to the fixture.

Refer to fixture marking for lamp information.

- 1** Install the lamp according to fixture model. **For Bi-Pin lamps**, carefully insert the lamp pins into the holes on the socket. **For E12 lamps**, screw the lamp into the socket. Refer to the label on the socket for Max Wattage Information.
- 2** Install the glass shades by carefully screwing them onto the threads on the sockets. **Make sure the glass shade is installed correctly before releasing. Do not over-tighten.**

Replace the Lamps



- 1 Remove the glass shade by unscrewing it from the socket. **For the two bottom shades, it is recommended to rotate the glass shade towards the center of the fixture as it is being removed.**
- 2 Remove the old lamp and replace with new one. See Section 4A Step 1 for details.
- 3 Re-install the glass shade accordingly. **Make sure the glass shade is installed correctly before releasing. Do not over-tighten.**
- 4 If re-lamping the bottom arms is proving difficult, try installing the lamp and the shade simultaneously.
- 5 Repeat steps 1-4 as necessary.

SAVE THESE INSTRUCTIONS!

VISUAL COMFORT & CO.

7400 Linder Ave, Skokie, IL 160077

800.969.3347

www.visualcomfort.com

©2023 Visual Comfort & Co.. All rights reserved. The Visual Comfort & Co. logo is a registered trademark of Visual Comfort & Co. Visual Comfort & Co. reserves the right to change specifications for product improvements without notification