

Ace Head

700FJACE_ 1.1

VISUAL COMFORT & CO.

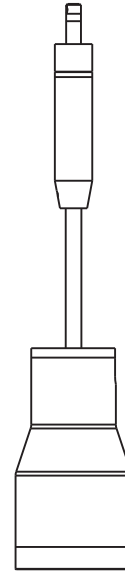
MODERN COLLECTION

GENERAL PRODUCT INFORMATION:



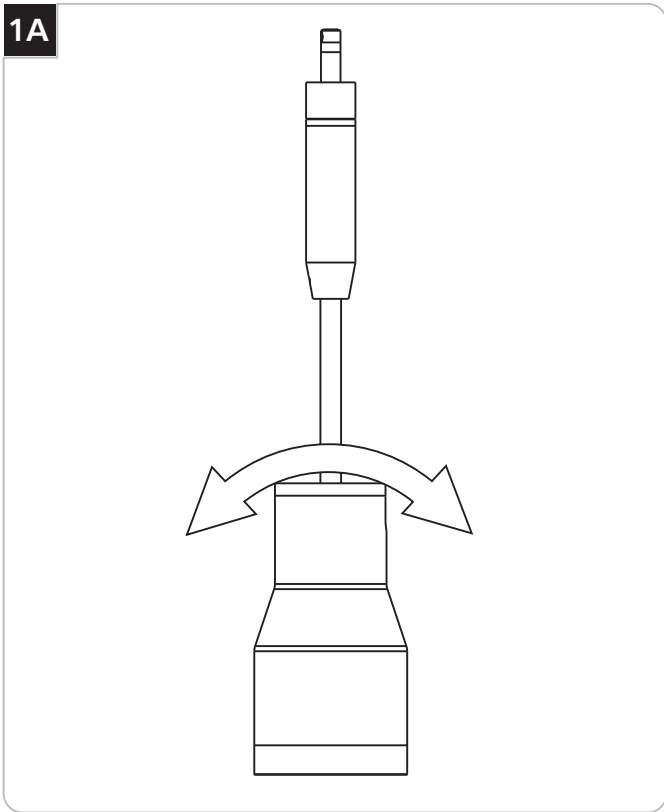
This product is ETL listed and suitable only for indoor dry locations and approved for use at any height above the finished floor.

Only compatible with use of AC transformer.



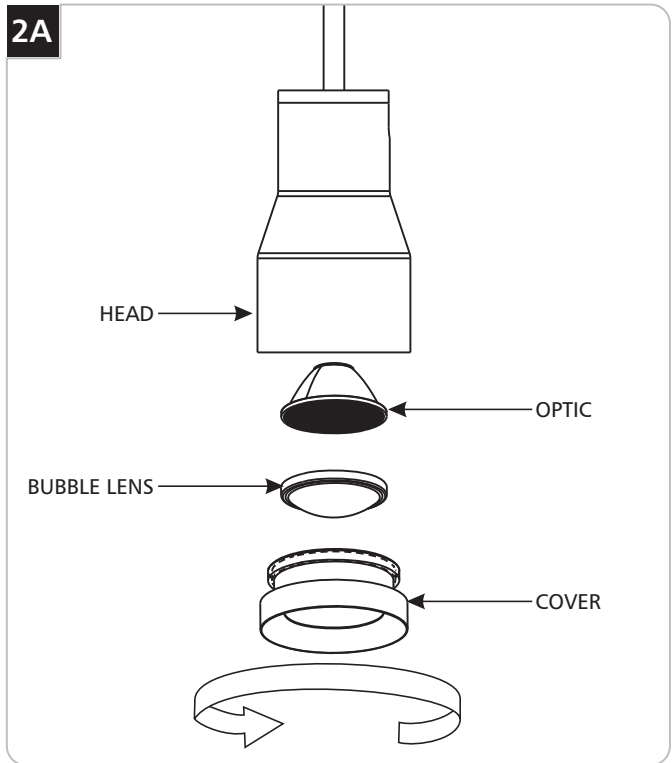
CAUTION: To reduce the risk of a burn or electric shock during accessory installation, disconnect the power to the fixture.

Adjust the Fixture



1 Tilt the fixture head to the desired position.

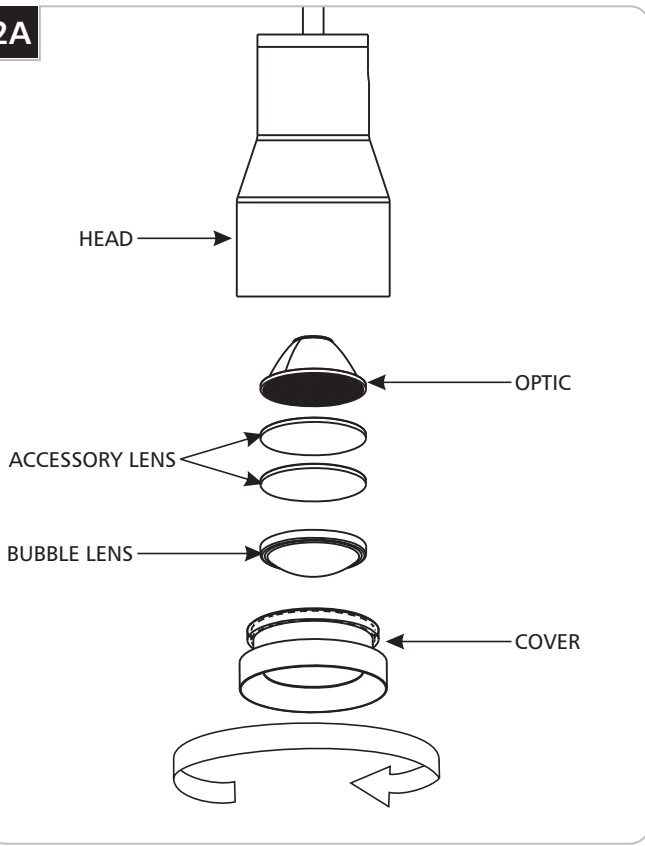
Lenses and Optics (Optional)



NOTE: While installing or replacing lens and/or optics, it is recommended to do so with the fixture head facing downward to hold items in place within the cover during installation.

1 If installing or replacing lens accessory or replacing the optic, remove the cover by unscrewing it from the fixture.

2A



- 2 Remove the optic.
- 3 If installing an optional lens accessory, rest the accessory lens inside the cover. **NOTE: A maximum of two accessory lenses can be installed. A third accessory lens may be installed by removing the bubble lens.**
- 4 Install the optic (replacement or existing) inside the LED housing cover.
- 5 Reinstall the cover (reversal of step 2A).

VISUAL COMFORT & CO.

7400 Linder Ave., Skokie, IL 60077
T 847.410.4400 | F 847.410.4500
www.visualcomfort.com