

Essence Suspension

700LSESN1_ 1.1

VISUAL COMFORT & CO.

MODERN COLLECTION

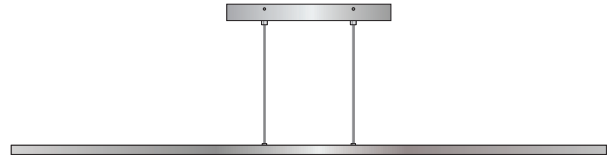
GENERAL PRODUCT INFORMATION:



These fixtures are intended to be installed utilizing NEC compliant junction boxes.

This product is suitable for indoor locations.

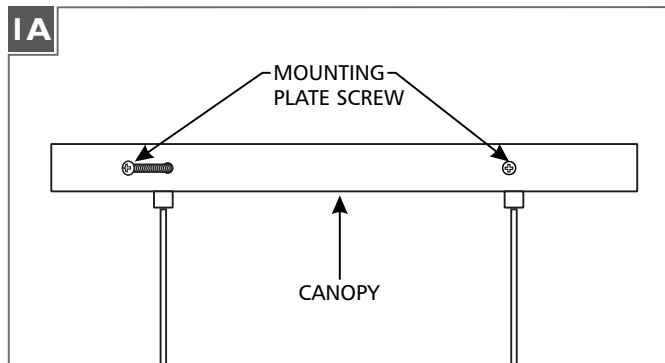
This product can be dimmed with a low-voltage electronic dimmer.



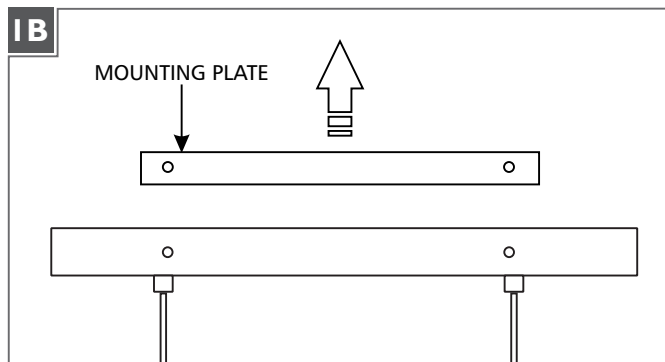
CAUTION - RISK OF FIRE
 This product must be installed in accordance with the applicable installation code by a person familiar with the construction and operation of the product and the hazards involved.
Use minimum 90°C supply conductors.

SAVE THESE INSTRUCTIONS!

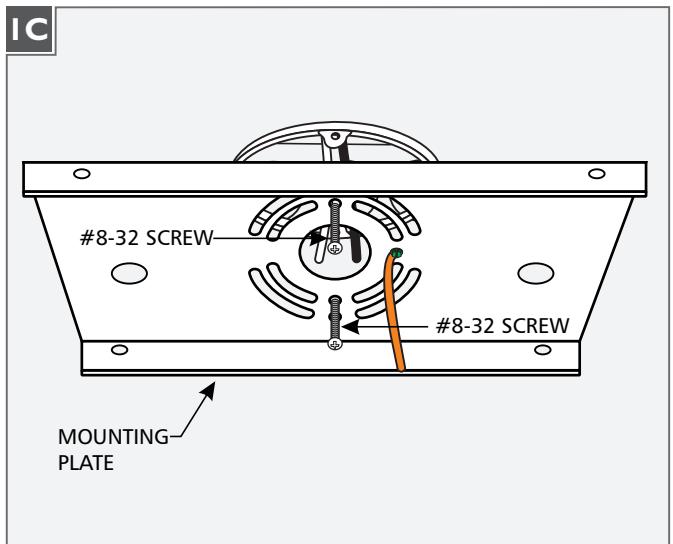
Install the Mounting Plate



1 Separate the mounting plate from the canopy by removing all four mounting plate screws with a screw driver.

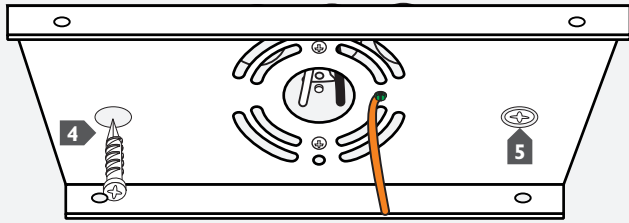


2 Remove the mounting plate from the canopy.



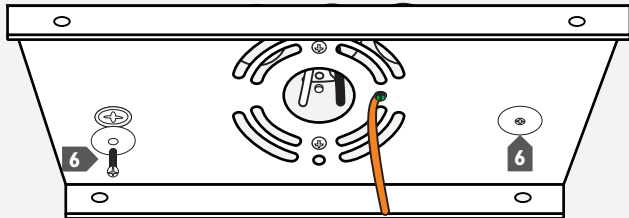
3 Secure the mounting plate to the electrical box with the two #8-32 screws provided.

ID



- 4 Line up an anchor with the center of a backplate hole and push the anchor in, up to the threads.
- 5 Screw the anchor the rest of the way in with a screwdriver.

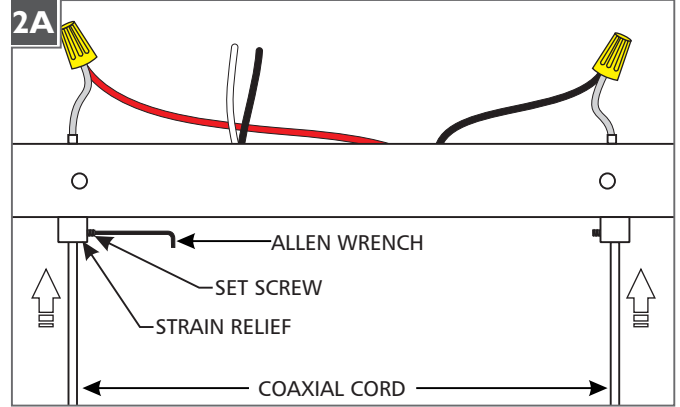
IE



- 6 Secure the backplate to the anchors with screws and washers.

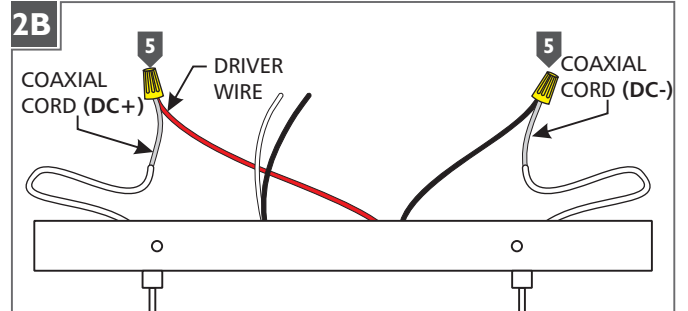
Shorten the Coaxial Cords (optional)

2A



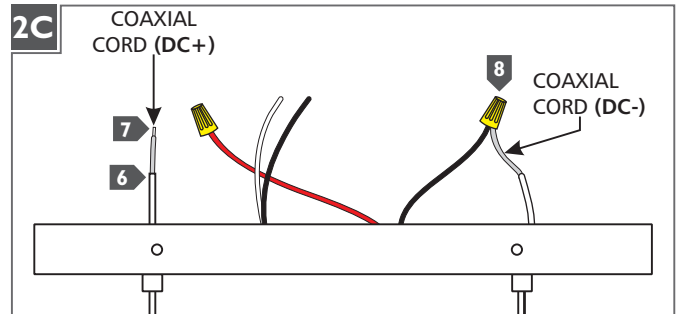
- 1 Place the fixture on a level surface.
- 2 With the provided Allen wrench, loosen (do not remove) the set screws on the strain reliefs.
- 3 Evenly pull the coaxial cables up through the strain reliefs to raise the fixture to the desired height.
- 4 Ensure that the canopy is level and re-tighten the set screws on the strain reliefs.

2B



- 5 If shortening of the coaxial cords is necessary, take note of the wire connections and polarity from the coaxial cables to the driver and remove the wire nuts.

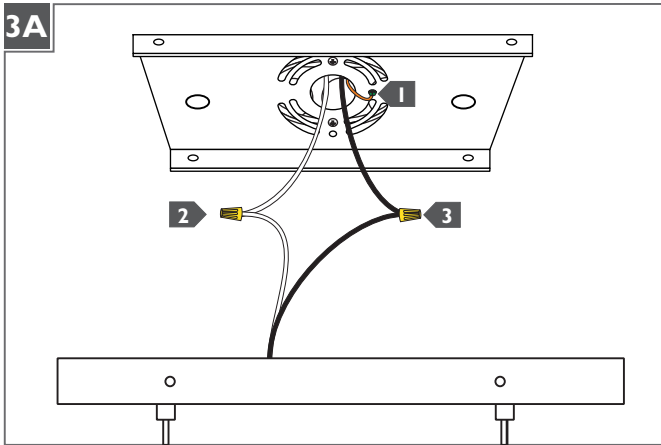
2C



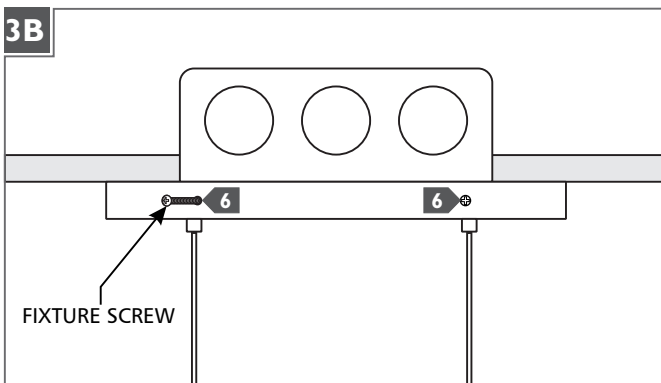
- 6 Leave 6" behind for wire connections, cut off the excess cord.
- 7 From the end of the cord, strip the insulation 4" using a sharp knife. **Make sure not to nick the inner wires.**
- 8 Strip the ends of the wires and reconnect the wires to their original connections using the wire nuts making sure to note polarity. **NOTE: Ensure that the inner wire is being connected, not the braided coaxial shield.**

Install the Fixture

NOTE: It is recommended that one person hold the fixture while the electrician connects the power and installs the canopy.



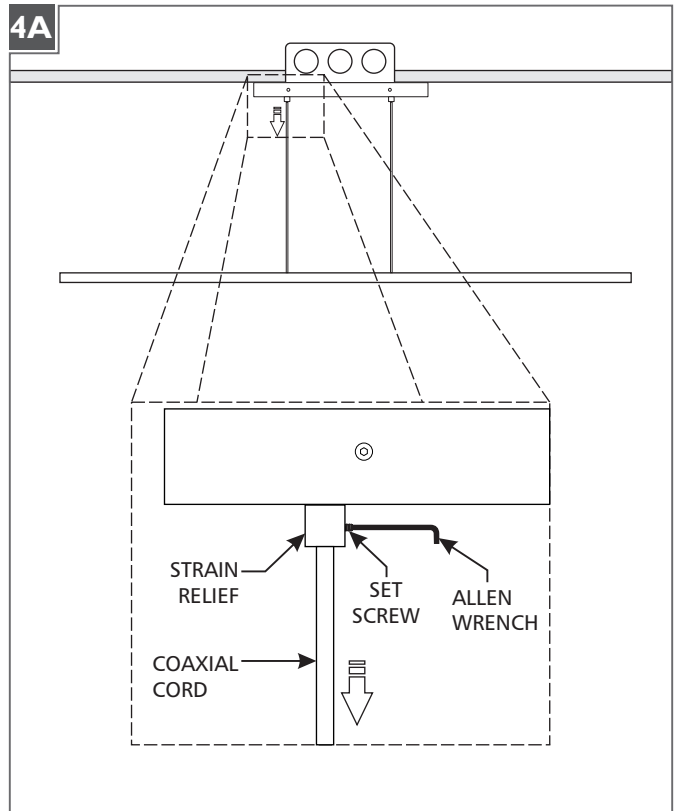
- 1 Connect the fixture to a suitable ground in accordance with local electrical codes.
- 2 Connect the white driver wire to the neutral power line wire with a wire nut.
- 3 Connect the black driver wire to the hot power line wire with a wire nut.



- 5 Place all wires and wire nut connections inside the canopy.
- 6 Align the canopy holes with the mounting plate holes. Secure the canopy in place by tightening the four fixture screws.

Fine Leveling (Optional)

NOTE: If minor adjustments to the fixtures leveling is necessary, it is recommended that one person hold the fixture straight with the use of a level while the other adjusts the coaxial cable following the steps below.



- 1 Using the provided Allen wrench, loosen (do not remove) the set screws on the needed strain relief.
- 2 Gently pull or push the coaxial cable in very small increments through the strain relief to adjust the height of the fixture.
- 3 Re-tighten the set screw on the strain relief.

VISUAL COMFORT & CO.

7400 Linder Ave., Skokie, IL 60077

T 847.410.4400 | F

847.410.4500

www.visualcomfort.com