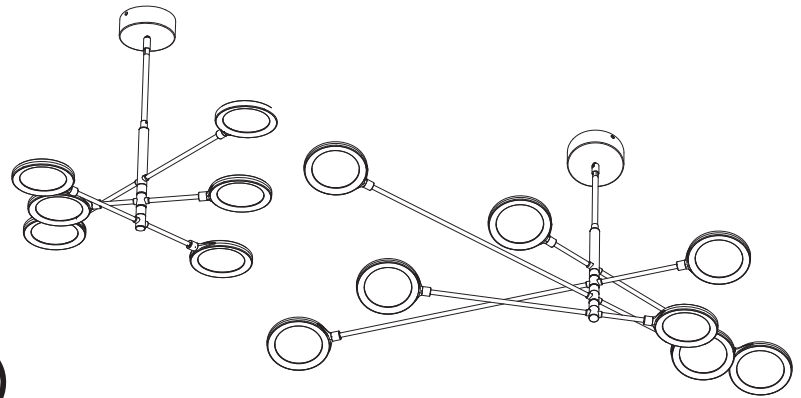


Spectica Linear Suspension and Chandelier

700SPCT, 700LSSPCT 1.0

VISUAL COMFORT & Co.

MODERN COLLECTION



GENERAL PRODUCT INFORMATION:

These fixtures are intended to be installed utilizing NEC compliant junction boxes.



This product is suitable for damp locations.

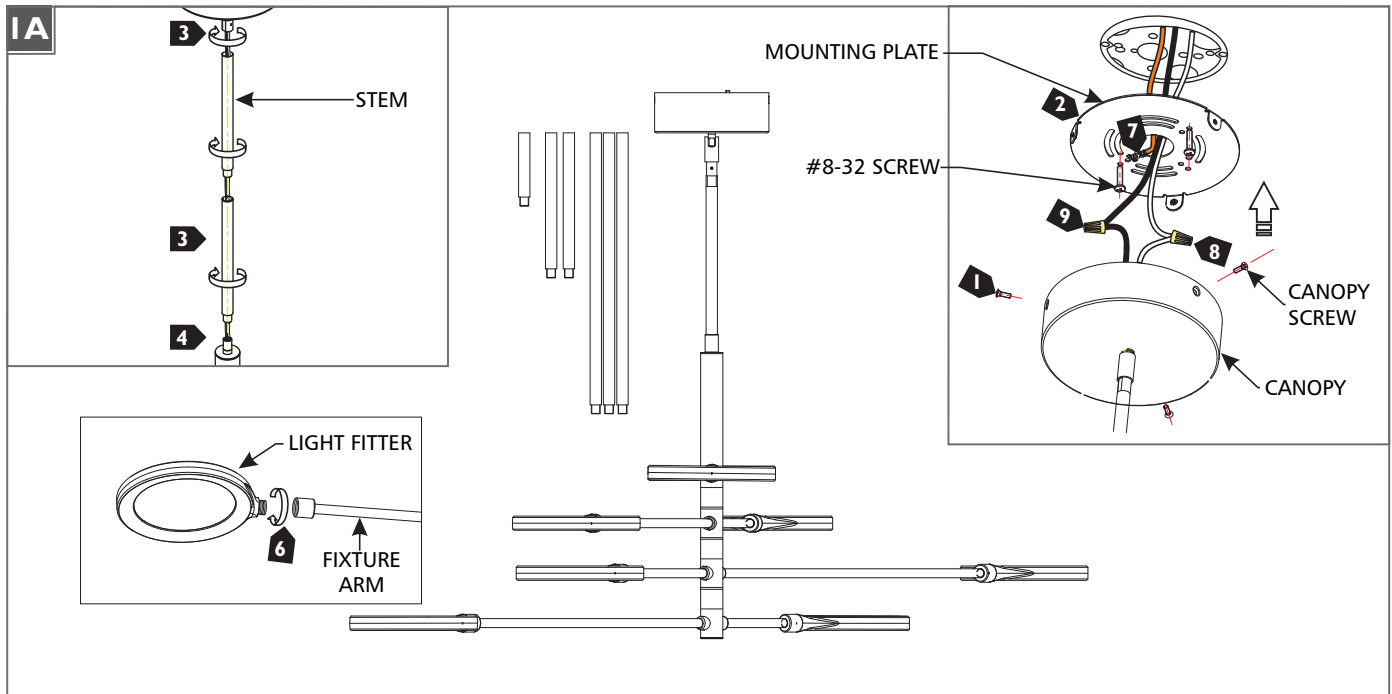
Incandescent lamps may be dimmed with a standard incandescent dimmer. LED lamps may be dimmed with a LED dimmer. Consult lamp manufacturer for additional information.

CAUTION - RISK OF FIRE

This product must be installed in accordance with the applicable installation code by a person familiar with the construction and operation of the product and the hazards involved.

Use minimum 90°C supply conductors.

Install the Fixture



- 1** Remove the fixture screws located on the sides of the canopy using a screw driver, then remove the mounting plate from the canopy.
- 2** Install the mounting plate onto the electrical box with the two #8-32 screws provided.
- 3** Determine the desired length of the fixture and screw the stems together.
- 4** Feed the fixture wires through the stem assembly and canopy.
- 5** Screw the stems to the top of the fixture assembly, then screw the canopy to the top of the stem assembly.
- 6** Thread light fitters to the fixture arms.
- 7** Connect the fixture to suitable ground in accordance with local electrical codes.
- 8** Connect the white fixture wire to the neutral power line wire with a wire nut.
- 9** Connect the black fixture wire to the hot power line wire with a wire nut.
- 10** Properly place all wires and wire nut connections into the electrical box, mount the fixture back onto the mounting plate, and reinstall fixture screws (reversal of step 1).

SAVE THESE INSTRUCTIONS!

VISUAL COMFORT & CO.

7400 Linder Ave, Skokie, IL 160077

800.969.3347

www.visualcomfort.com

©2023 Visual Comfort & Co.. All rights reserved. The Visual Comfort & Co. logo is a registered trademark of Visual Comfort & Co. Visual Comfort & Co. reserves the right to change specifications for product improvements without notification