

Column Chandelier

700CLM4, 700CLM6 | 1.0

VISUAL COMFORT & Co.

MODERN COLLECTION

GENERAL PRODUCT INFORMATION:



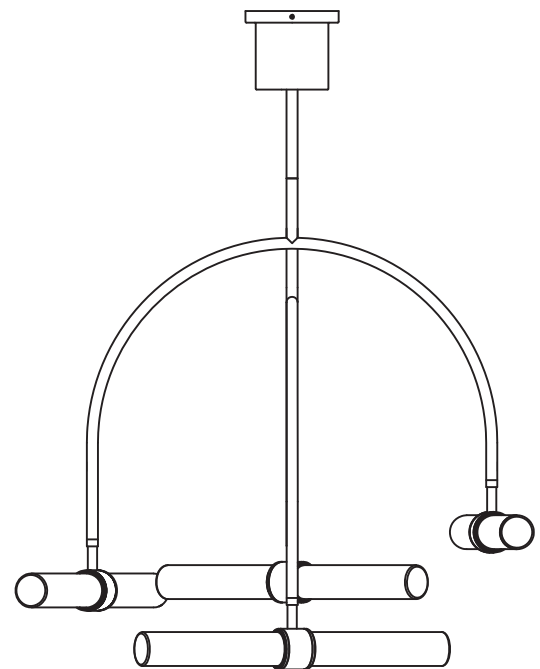
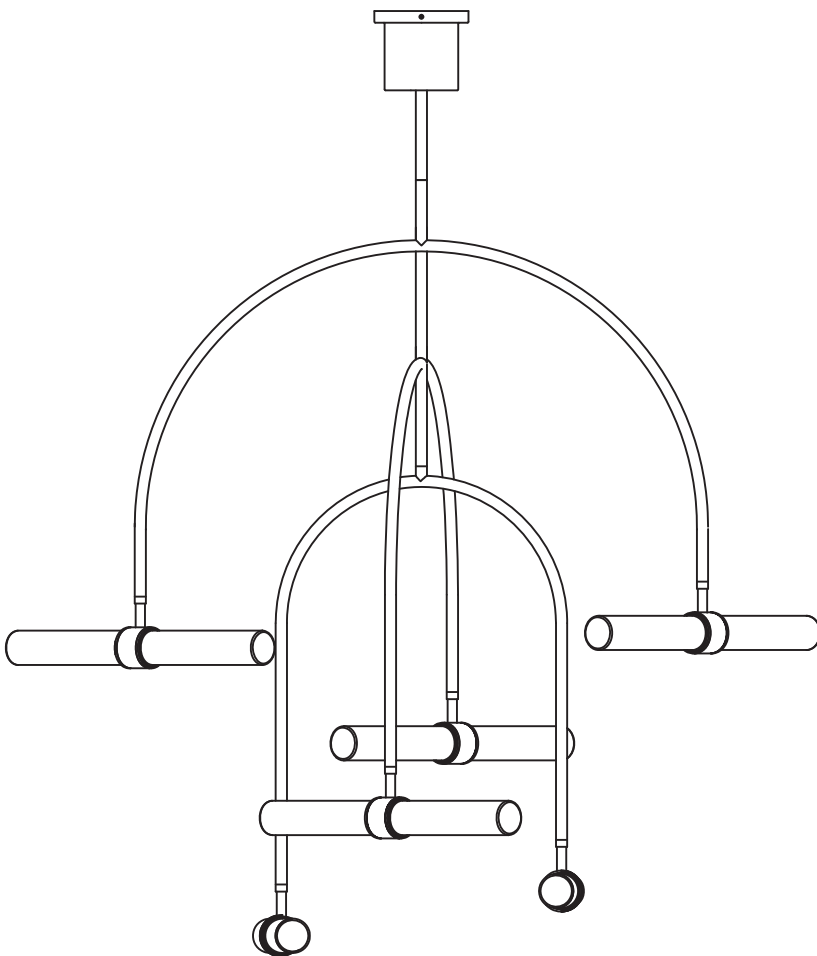
This product is suitable for indoor locations.

This product can be dimmed with a standard electronic dimmer.

This instruction shows a typical installation.

CAUTION - RISK OF FIRE
This product must be installed in accordance with the applicable installation code by a person familiar with the construction and operation of the product and the hazards involved.
Use minimum 90°C supply conductors.

SAVE THESE INSTRUCTIONS!



VISUAL COMFORT & Co.

7400 Linder Ave., Skokie, IL 60077

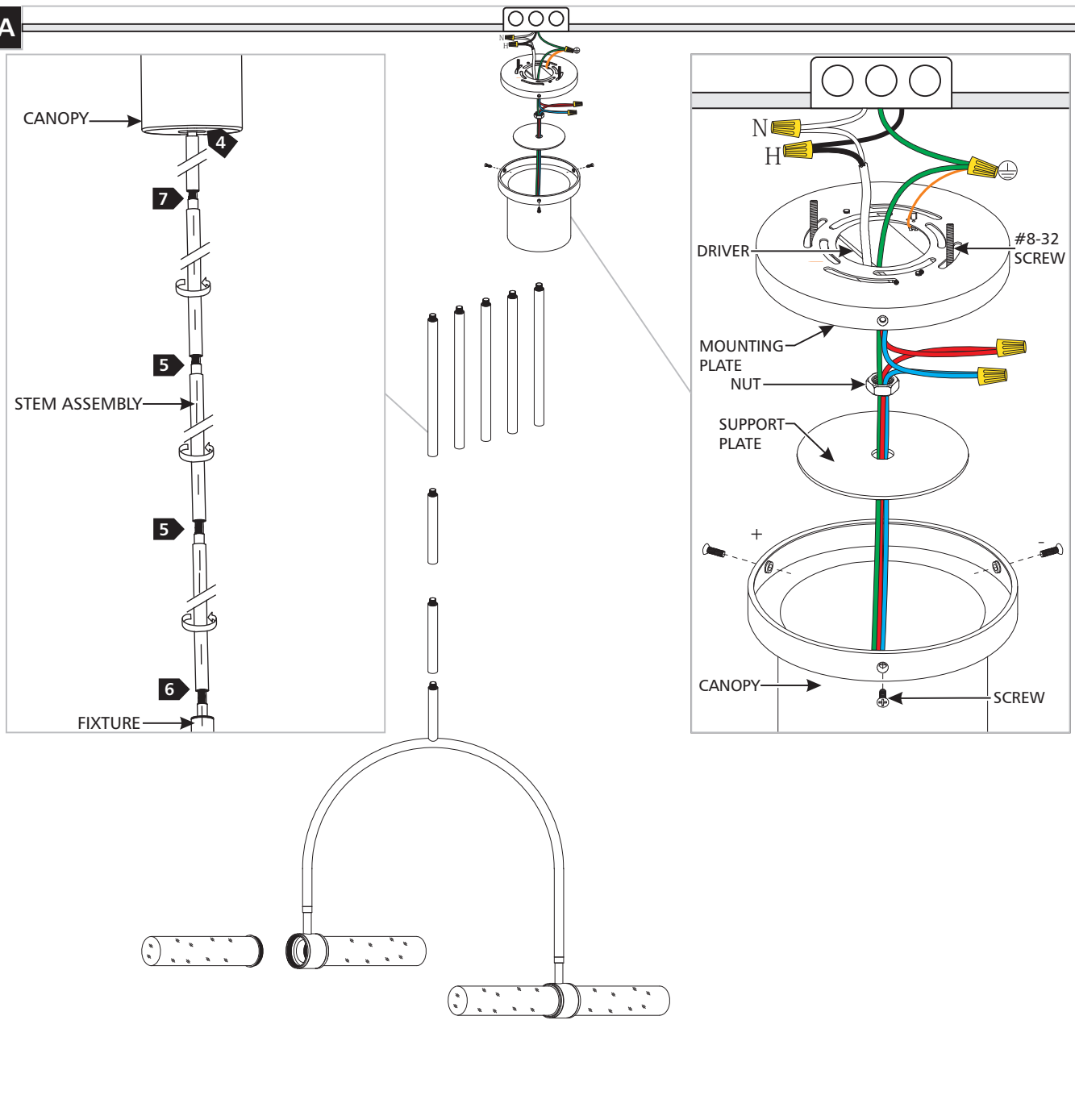
T 847.410.4400 | F

847.410.4500

www.visualcomfort.com

Install the Fixture

1A



- 1 Remove all the screws.
- 2 Remove the mounting plate and driver from the canopy.
- 3 Secure the mounting plate to the junction box with the provided #8-32 screws.
- 4 Determine the desired height of the fixture using the provided stems and assemble them by screwing them together.
- 5 Feed the fixture wires through the stem assembly, then screw the stem assembly to the top of the fixture.
- 6 Feed the fixture wires through the canopy support plate and nut, then secure the stem assembly, canopy and support plate together with the nut by screwing the nut onto the stem assembly.
- 7 Connect the blue driver wire to the blue fixture wire with a wire nut.
- 8 Connect the red driver wire to the red fixture wire with a wire nut.
- 9 Connect the fixture to a suitable ground in accordance with local electrical codes.
- 10 Connect the white driver wires to the neutral power line wire with a wire nut.
- 11 Connect the black driver wires to the hot power line wire with a wire nut.
- 12 Neatly place the drivers, all wires, and wire nut connections inside the canopy, align the canopy holes with the mounting plate holes, and secure the canopy in place by tightening the screws
- 13 Screw the glass into the led assembly.