

Klee 18 Table and 43 Floor Lamp

700PRTKLE18, 700PRTKLE43 1.1

VISUAL COMFORT & Co.

MODERN COLLECTION

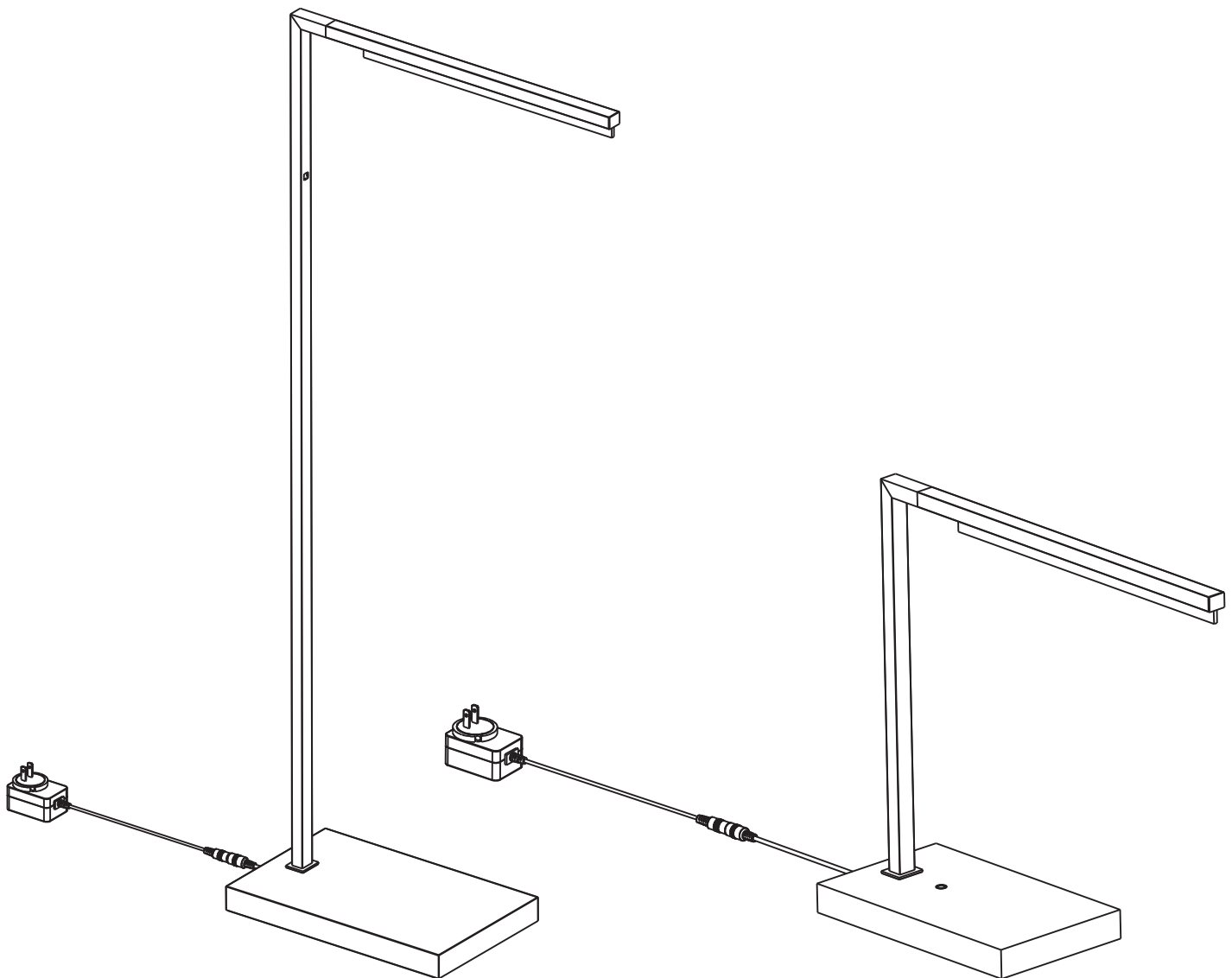
GENERAL PRODUCT INFORMATION:

This product is suitable for dry locations only.

This instruction shows a typical installation.

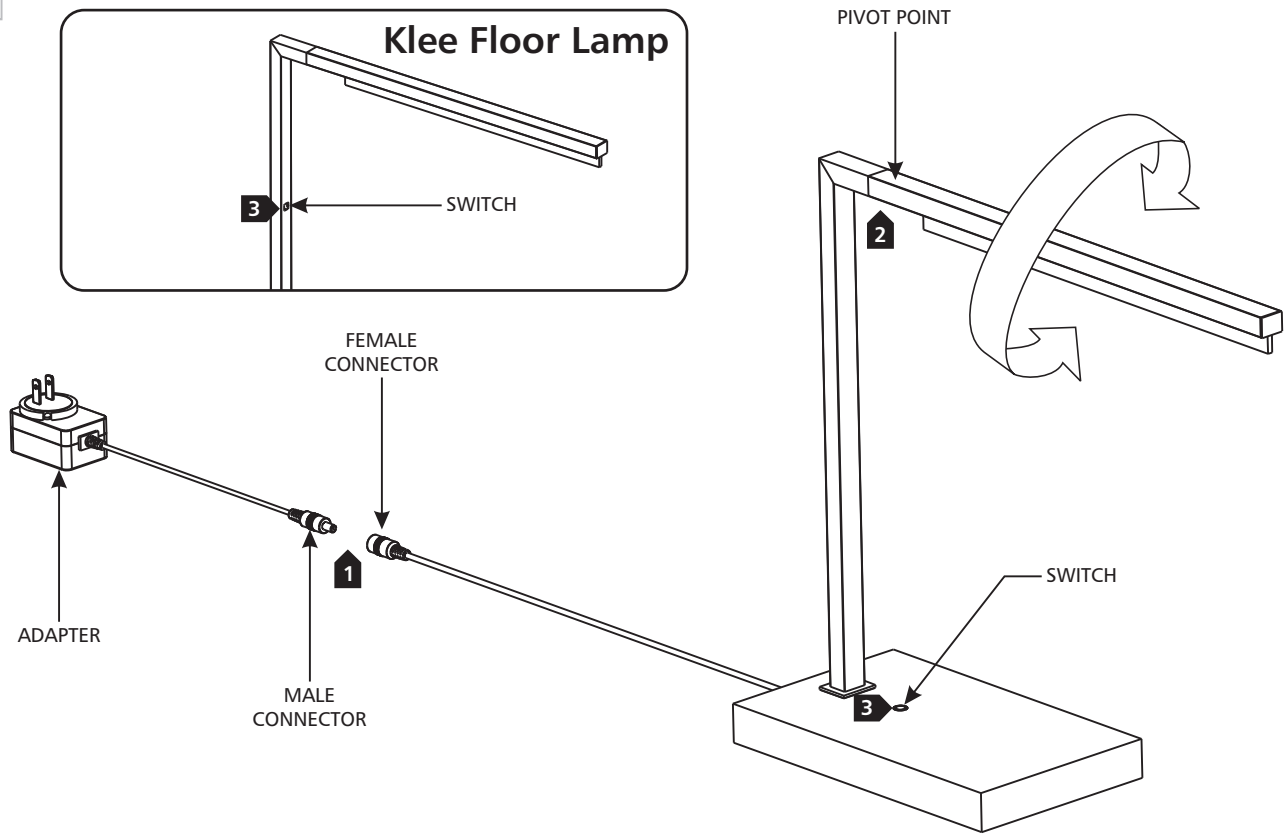
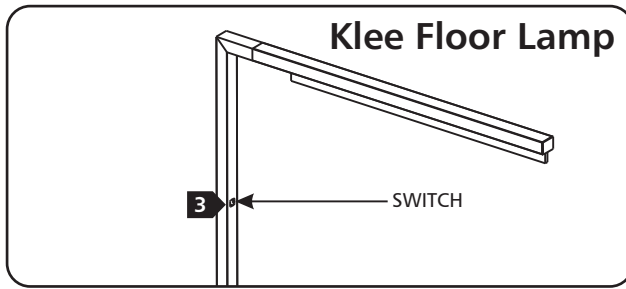


SAVE THESE INSTRUCTIONS!



Install the Fixture

1A



- 1 Connect the male connector from the adapter to the female adapter on the fixture.
- 2 **Optional:** The direction of the light can be adjusted by carefully grabbing where indicated and turning to the desired direction.
- 3 Use the switch to turn the fixture on/off and to change dimming levels by tapping on the touch sensitive switch.
NOTE: For Klee Floor Lamp, the switch is located on the lamp body.

VISUAL COMFORT & CO.

7400 Linder Ave., Skokie, IL 60077

T 847.410.4400 | F

847.410.4500

www.visualcomfort.com