

Mina Table Lamp

700PRTMINA 1.1

VISUAL COMFORT & CO.

MODERN COLLECTION

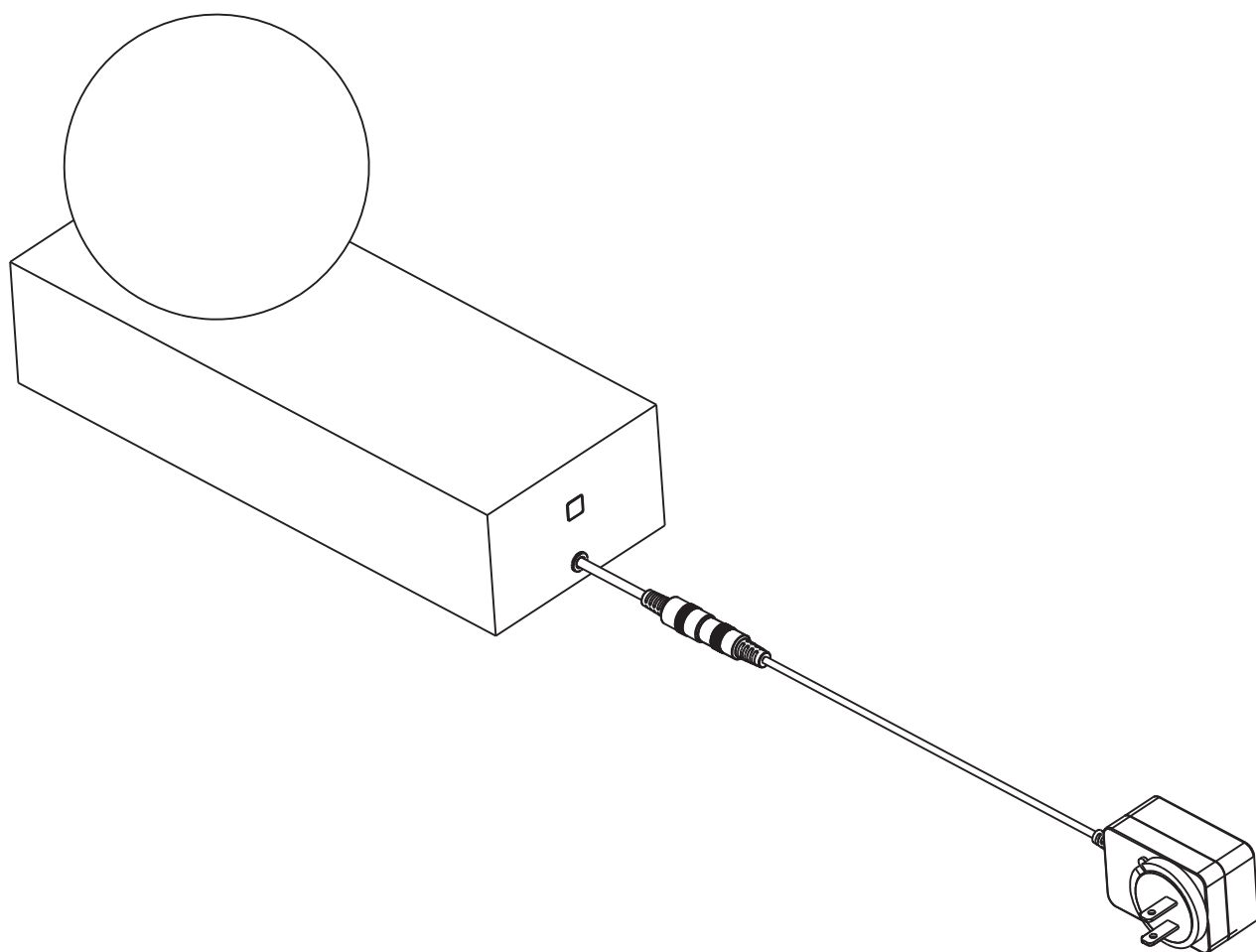
GENERAL PRODUCT INFORMATION:

This product is suitable for dry locations only.

This instruction shows a typical installation.

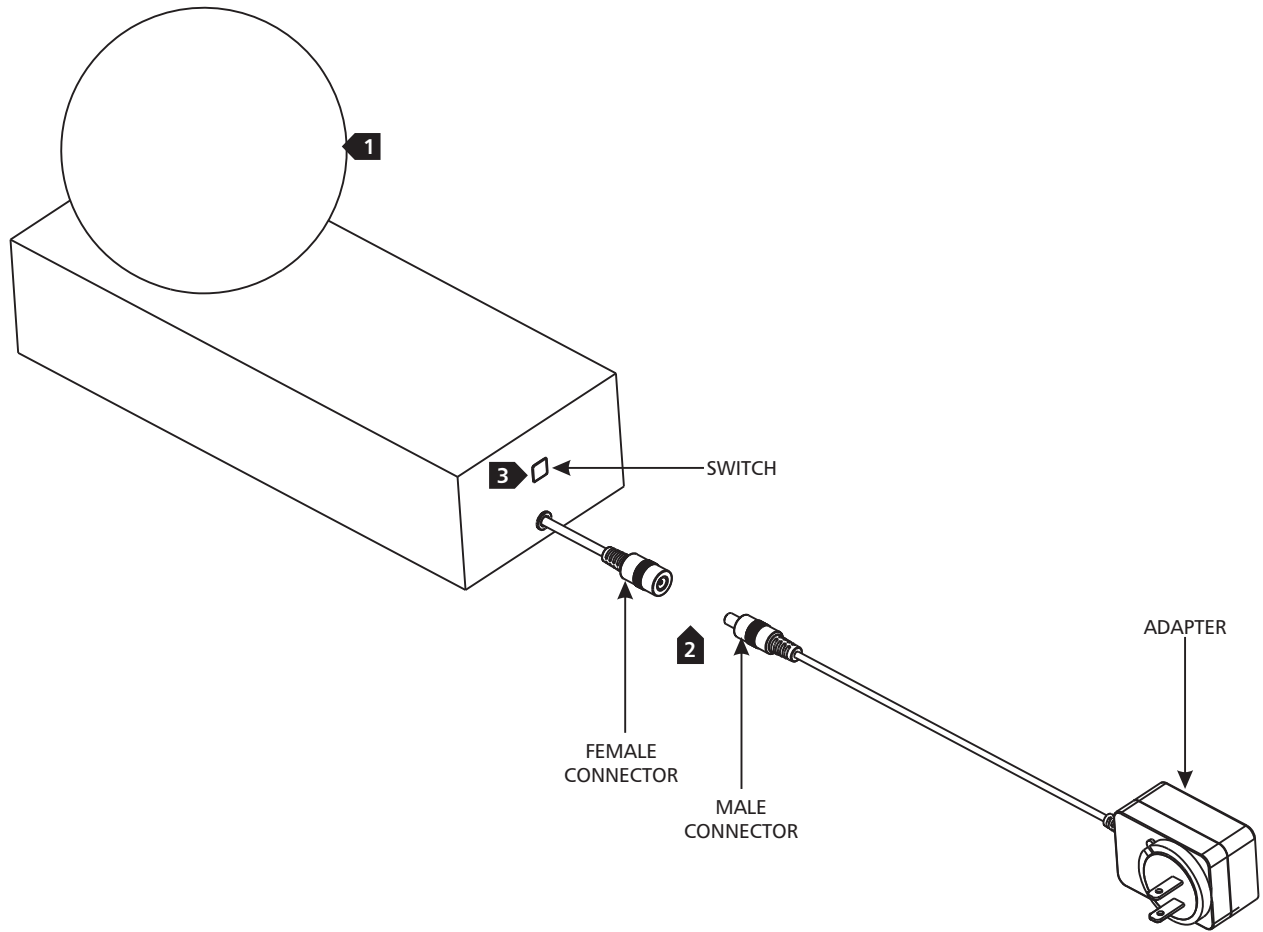


SAVE THESE INSTRUCTIONS!



Install the Fixture

1A



- 1 Screw glass into the base.
- 2 Connect the male connector from the adapter to the female adapter on the fixture.
- 3 Use the switch to turn the fixture on/off and to change dimming levels by tapping on the touch sensitive switch.

VISUAL COMFORT & Co.

7400 Linder Ave., Skokie, IL 60077

T 847.410.4400 | F

847.410.4500

www.visualcomfort.com