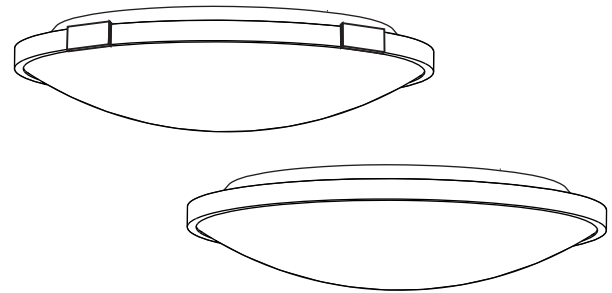


Vance and Lance 13 Flush Mount

700FMVNC13, 700FMLNC13 1.0

VISUAL COMFORT & Co.

MODERN COLLECTION



GENERAL PRODUCT INFORMATION:

These fixtures are intended to be installed utilizing NEC compliant junction boxes.



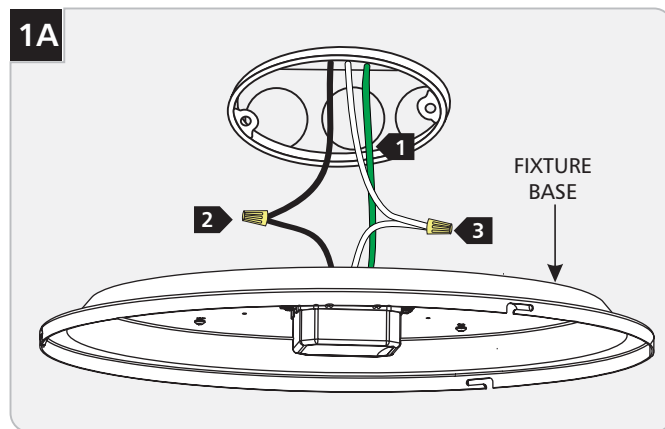
This product is suitable for damp locations.

This product can be dimmed with a low-voltage electronic dimmer.

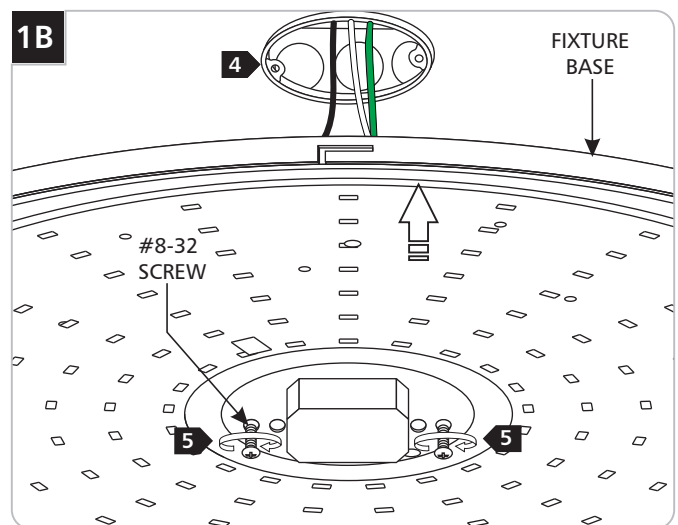
This instruction shows a typical installation.

CAUTION - RISK OF FIRE
 This product must be installed in accordance with the applicable installation code by a person familiar with the construction and operation of the product and the hazards involved.
 Use minimum 90°C supply conductors.

Install the fixture



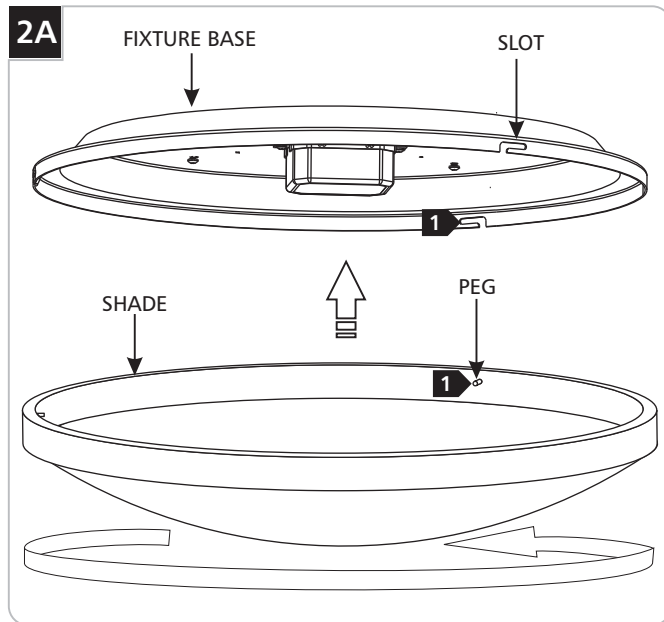
- 1** Ground the fixture in accordance with local electrical codes.
- 2** Connect the black fixture wire to the hot power line wire with a wire nut.
- 3** Connect the white fixture wire to the neutral power line wire with a wire nut.



Note: depending on the dimensions of the J-box, you may use either the inner or outer through holes.

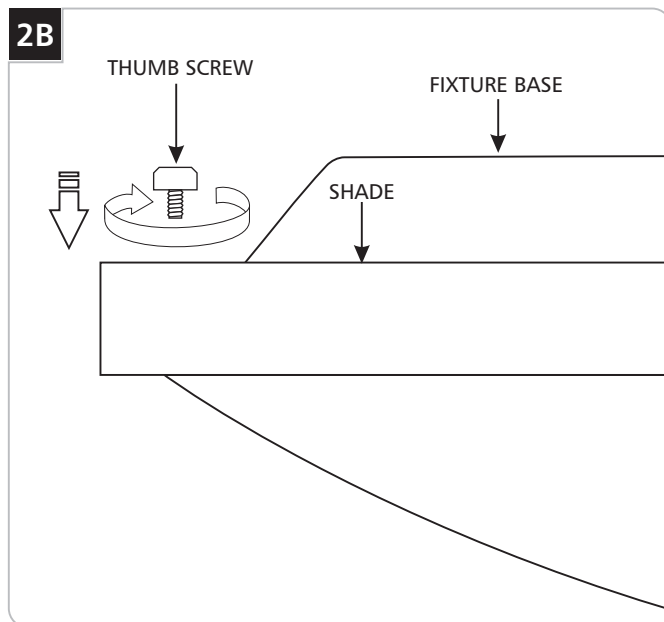
- 4** Align the through holes in the fixture base with the #8-32 screws to junction box.
- 5** Firmly tighten the #8-32 screws to hold the fixture base in place through the next steps.

Install the Shade



CAUTION: Improperly aligning the pegs before rotating the shade into place may cause damage to slots. Make sure the shade sits flush before rotating.

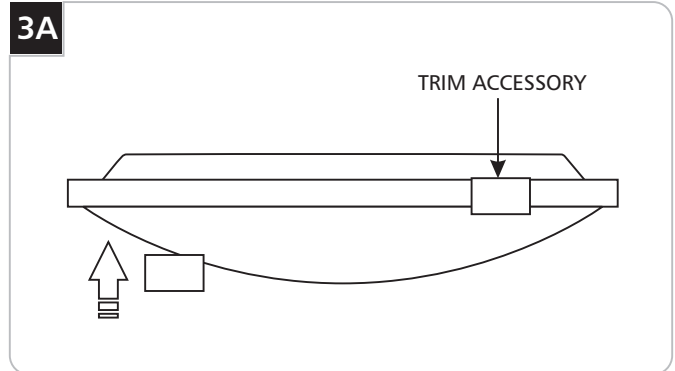
- 1 Align the pegs on the shade with the keyed slots on the fixture base, push the shade up evenly, making sure it sits flush on all sides.
- 2 Carefully rotate the shade into position.



- 3 Locate the small threaded hole on the top side of the shade.
- 4 Screw the thumb screw into the shade to secure it in place.

Install the Trim Accessories(Lance only)

NOTE: The Lance 13 ships with three trim accessories. The trim accessories are not included with the Vance.



- 1 Attach the trim accessories to the rim of the shade. Imbedded magnets will allow the accessories to snap into place.

SAVE THESE INSTRUCTIONS!

VISUAL COMFORT & CO.

7400 Linder Ave, Skokie, IL 160077

800.969.3347

www.visualcomfort.com

©2023 Visual Comfort & Co.. All rights reserved. The Visual Comfort & Co. logo is a registered trademark of Visual Comfort & Co. Visual Comfort & Co. reserves the right to change specifications for product improvements without notification