

Lufe Round and Square Bath

700BCLUF_14

1.0

VISUAL COMFORT & Co.

MODERN COLLECTION

GENERAL PRODUCT INFORMATION:

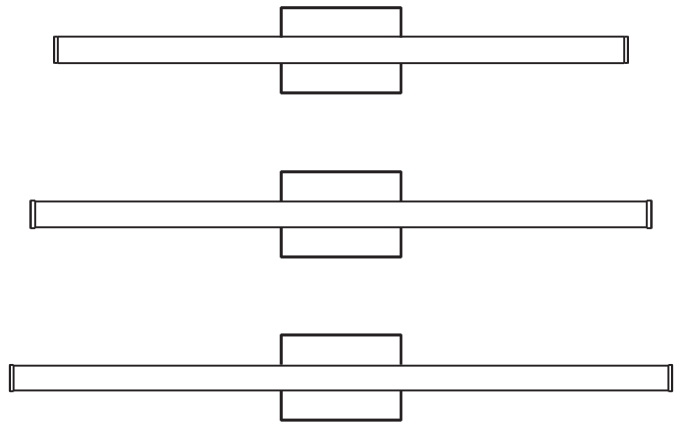
This fixture is intended to be installed utilizing NEC compliant junction boxes.



This product is suitable for damp locations.

This product can be dimmed with a low-voltage electronic dimmer.

This instruction shows a typical installation.

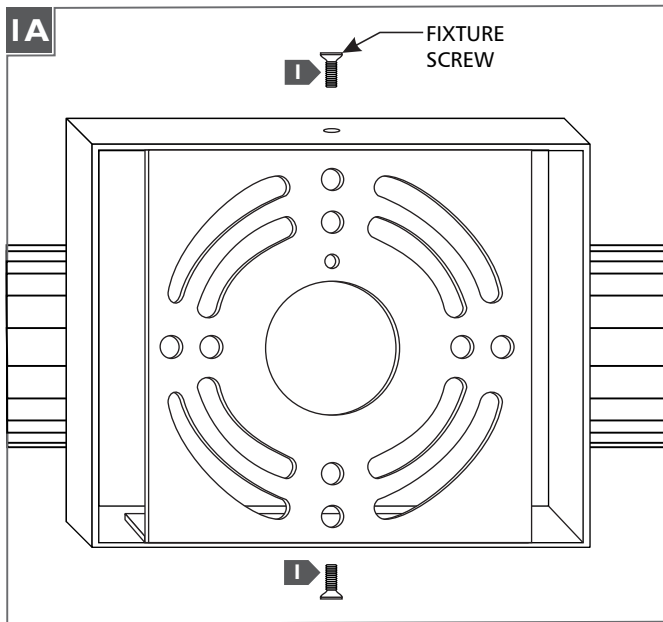


CAUTION - RISK OF FIRE

This product must be installed in accordance with the applicable installation code by a person familiar with the construction and operation of the product and the hazards involved.

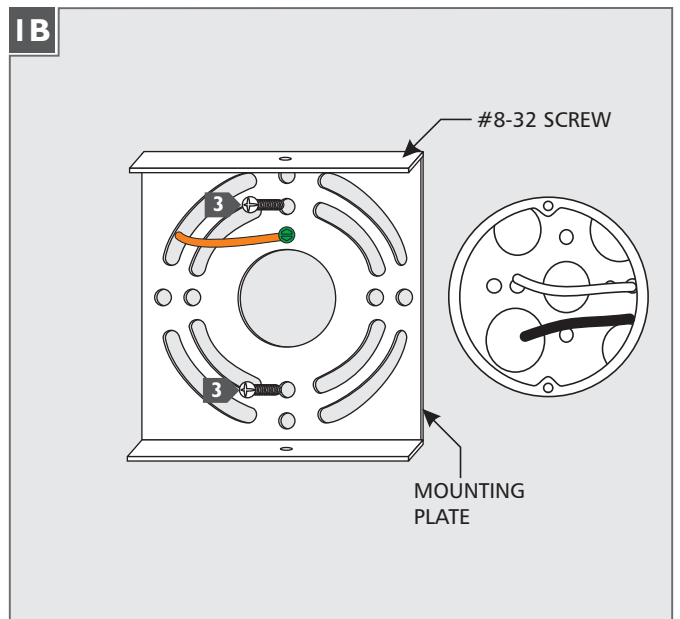
Use minimum 90°C supply conductors.

Install the Mounting Plate



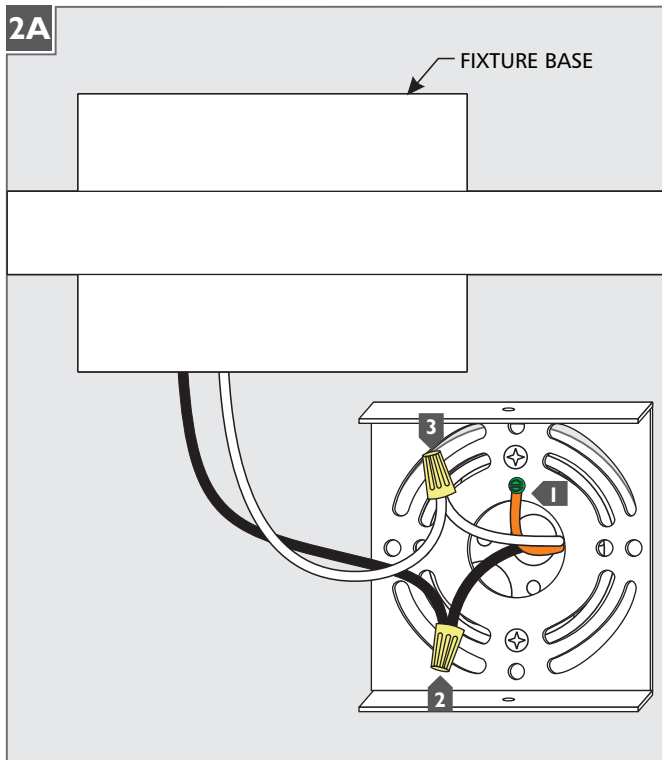
1 Remove the fixture screws located on the top and bottom of the fixture base.

2 Remove the mounting plate from the fixture base.



3 Attach the mounting plate to the electrical box using the two #8-32 screws provided.

Install the Fixture



- 1** Connect the mounting plate ground wire to a suitable ground according to local electrical codes.
- 2** Connect the black driver wire to the hot power line wire with a wire nut.
- 3** Connect the white driver wire to the neutral power line wire with a wire nut.
- 4** Properly place the driver, all wires, and wire nut connections into the fixture base.
- 5** Mount the fixture by sliding it back onto the mounting plate and reinstalling the fixture screws (reversal of figure 1B).

SAVE THESE INSTRUCTIONS!

VISUAL COMFORT & CO.

7400 Linder Ave, Skokie, IL 160077

800.969.3347

www.visualcomfort.com

©2023 Visual Comfort & Co.. All rights reserved. The Visual Comfort & Co. logo is a registered trademark of Visual Comfort & Co. Visual Comfort & Co. reserves the right to change specifications for product improvements without notification