

Duelle Wall

700WSDUE_ 1.0

VISUAL COMFORT & Co.

MODERN COLLECTION

GENERAL PRODUCT INFORMATION:



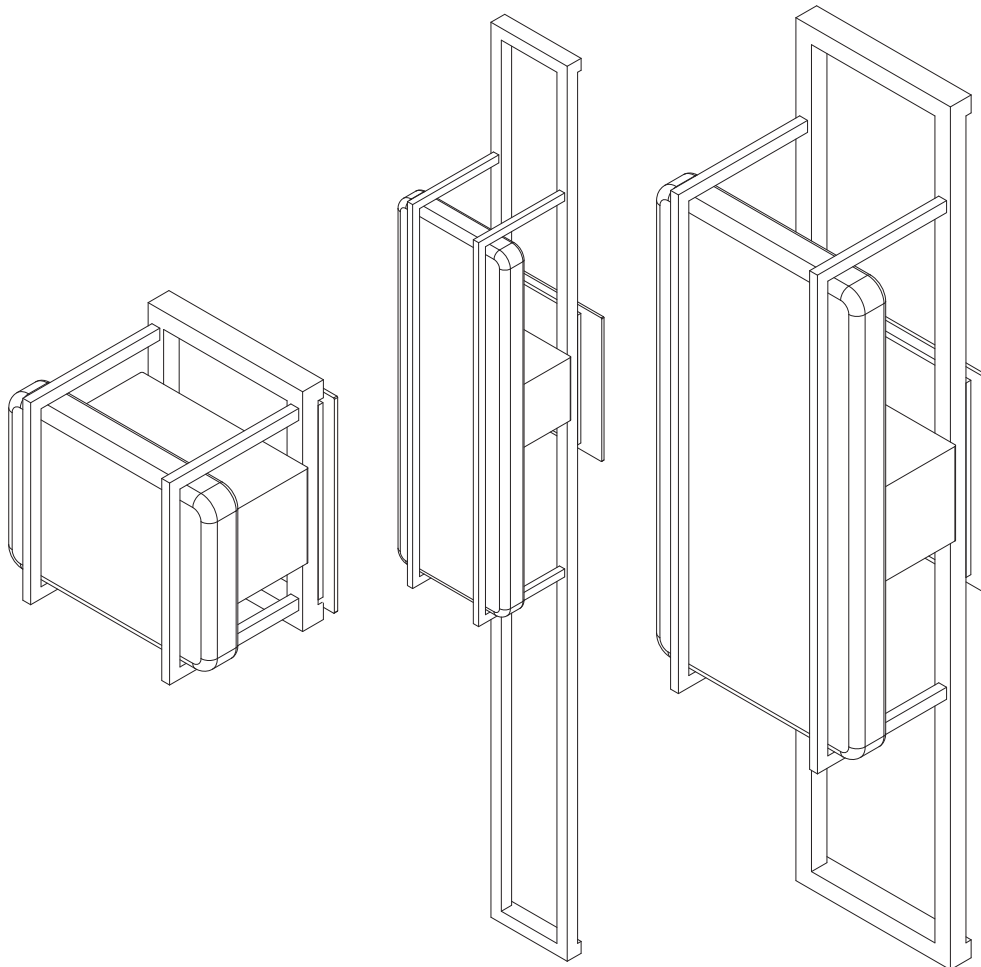
These fixtures are intended to be installed utilizing NEC compliant junction boxes. Either a 2"x4" Junction box or 4" Junction Box may be used.

This product is suitable for damp locations.

This instruction shows a typical installation.

CAUTION - RISK OF FIRE
This product must be installed in accordance with the applicable installation code by a person familiar with the construction and operation of the product and the hazards involved.
Use minimum 90°C supply conductors.

SAVE THESE INSTRUCTIONS!



VISUAL COMFORT & Co.

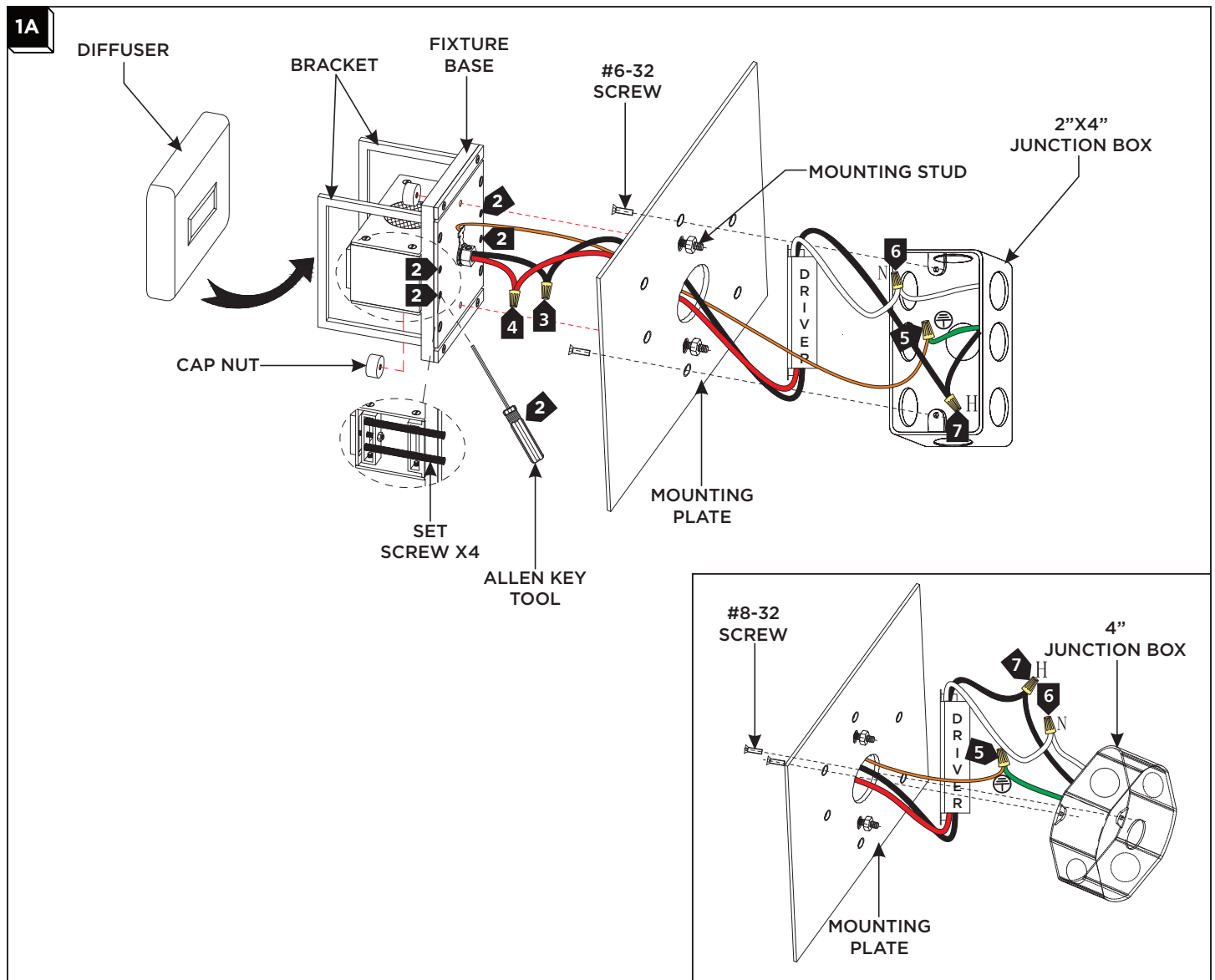
7400 Linder Ave., Skokie, IL 60077

T 847.410.4400 | F

847.410.4500

www.visualcomfort.com

Install the Fixture



- 1** Remove the mounting plate from the fixture base
- 2** With the provided Allen wrench, loosen (do not remove) the set screw on the fixture base, then install the diffuser by sliding it onto the brackets making sure the rectangular tab is aligned with the recess of the diffuser and secure by tightening the set screws.
- 3** Connect the negative (-) fixture wire to the negative (-) driver wire with a wire nut.
- 4** Connect the positive (+) fixture wire to the positive (+) driver wire with a wire nut.
- 5** Connect the fixture to a suitable ground in accordance with local electrical codes.
- 6** Connect the white driver wire to the neutral power line with a wire nut.
- 7** Connect the black driver wire to the hot power line with a wire nut.
- 8** Properly place the driver, all wires, and wire nut connections into the junction box. Install the mounting plate to the 2"x4" junction box with two #6-32 screws or to the 4" junction box with two #8-32 screws.
- 9** Mount the fixture base onto the mounting studs and secure it in place by screwing the cap nuts onto the studs.