

Brompton Wall

700WSBMT_ 1.0

VISUAL COMFORT & CO.

MODERN COLLECTION

GENERAL PRODUCT INFORMATION:



This fixture is intended to be installed utilizing NEC compliant junction boxes.

This product is suitable for damp locations.

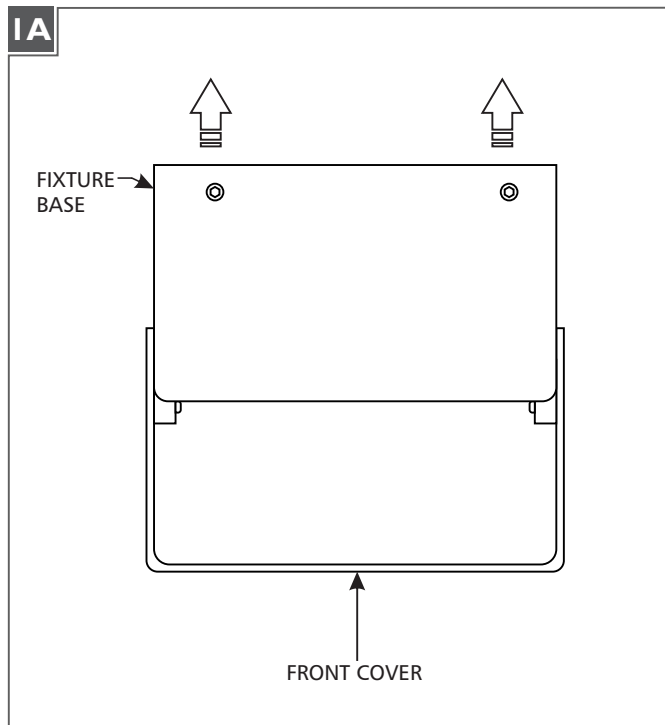
This product can be dimmed with a low-voltage electronic dimmer.

This instruction shows a typical installation.

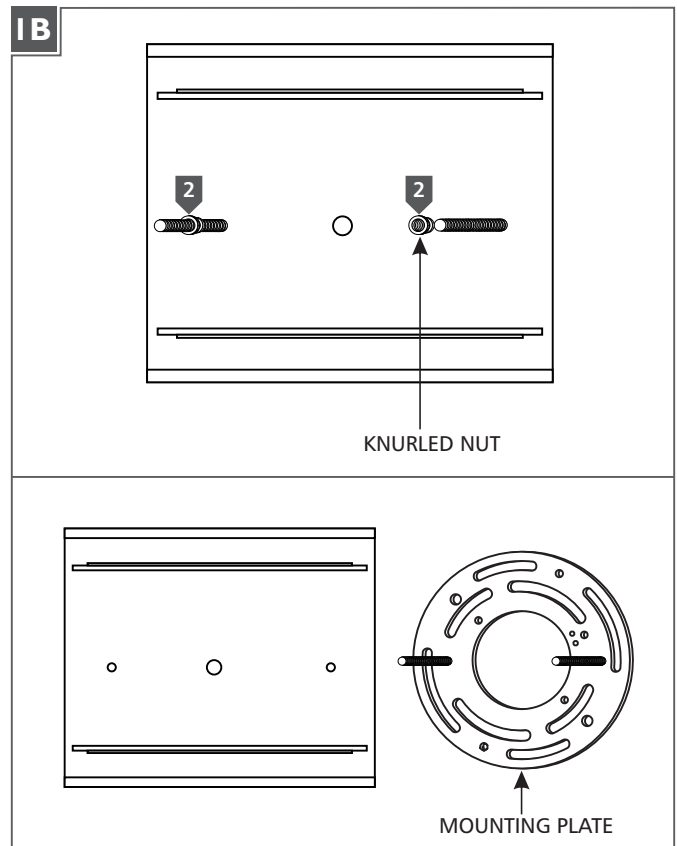
CAUTION - RISK OF FIRE
 This product must be installed in accordance with the applicable installation code by a person familiar with the construction and operation of the product and the hazards involved.
Use minimum 90°C supply conductors.

SAVE THESE INSTRUCTIONS!

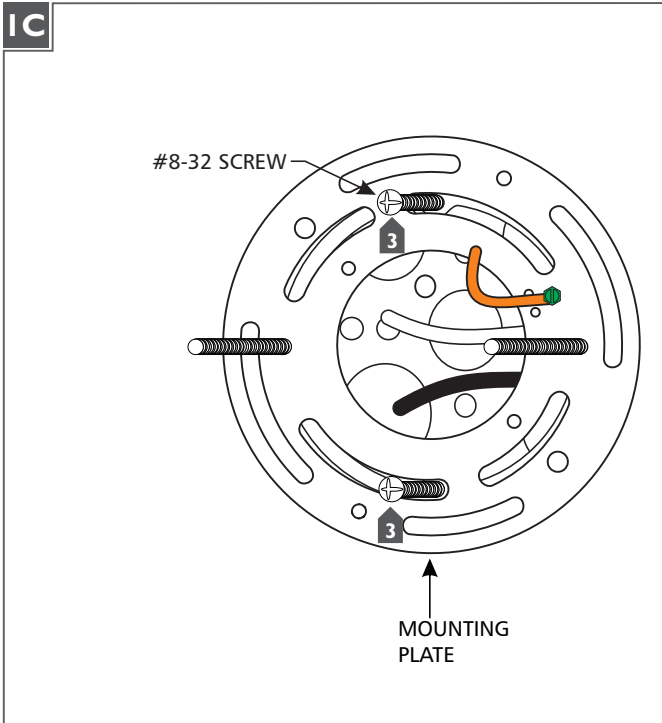
Install the Fixture



1 Firmly hold the fixture base and evenly pull the front cover straight off.

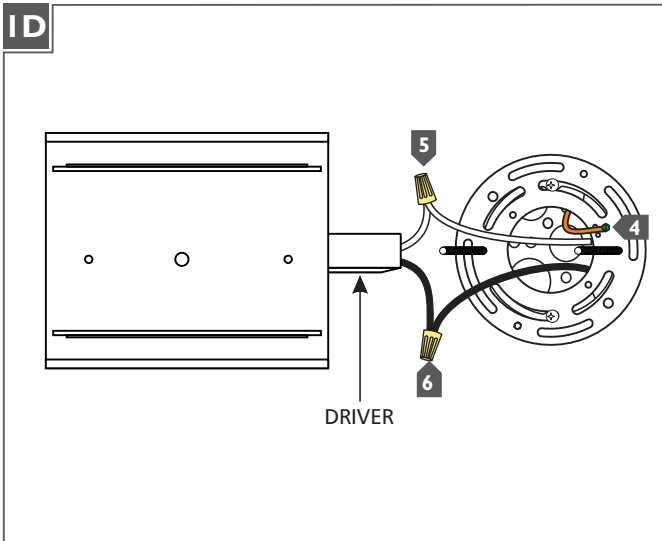


2 Remove the two knurled nuts and separate the mounting plate from the fixture.

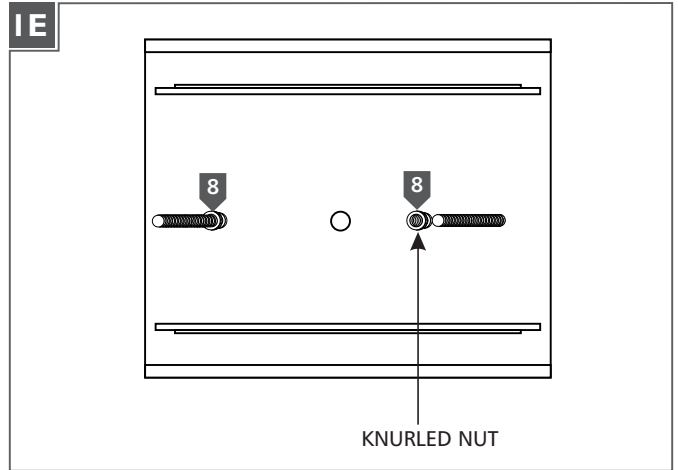


NOTE: driver must be installed into the junction box. If the junction box is small, the driver may need to be installed into the junction box prior to installing the mounting plate.

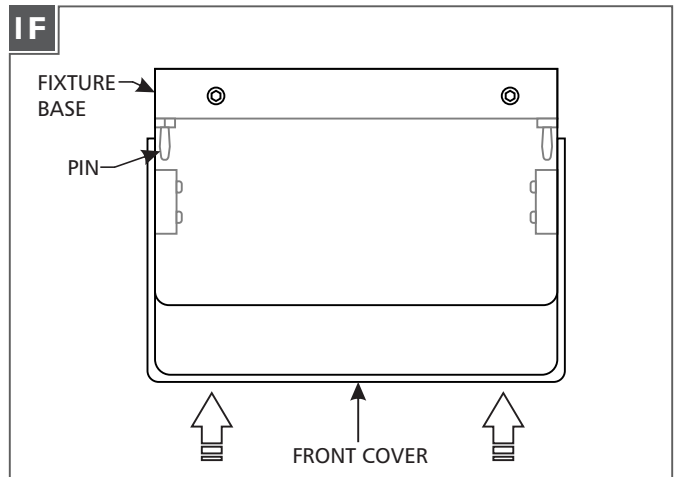
- 3** Attach the mounting plate to the electrical box using the two #8-32 screws provided.



- 4** Connect the fixture to a suitable ground according to local electrical codes.
- 5** Connect the white driver wire to the neutral power line wire with a wire nut.
- 6** Connect the black driver wire to the hot power line wire with a wire nut.



- 7** Properly place all wires and wire nut connections in the electrical box.
- 8** Mount the fixture onto the mounting plate and secure it tightly with the two knurled nuts.



- 9** Align the pins on the fixture to holes on the shade and push the shade to re-install it.

VISUAL COMFORT & Co.

7400 Linder Ave., Skokie, IL 60077

T 847.410.4400 | F

847.410.4500

www.visualcomfort.com