

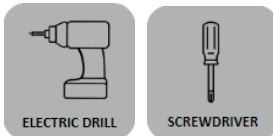
# CERNE LARGE SEMI FLUSH

KWFM19127NB

## General Product Information



## Tools Required



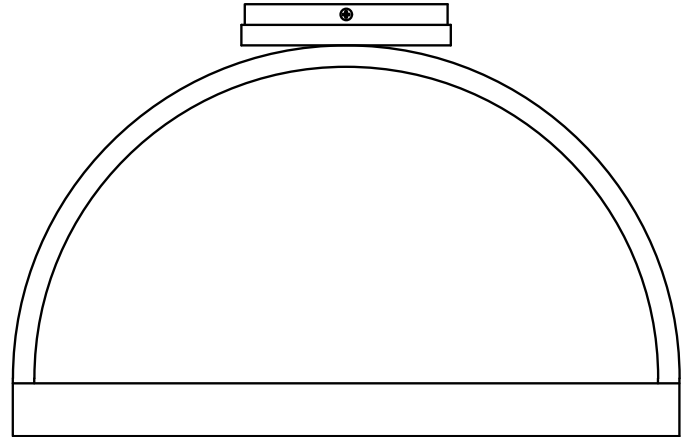
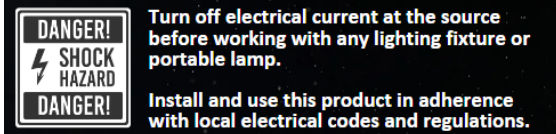
## Safety Information

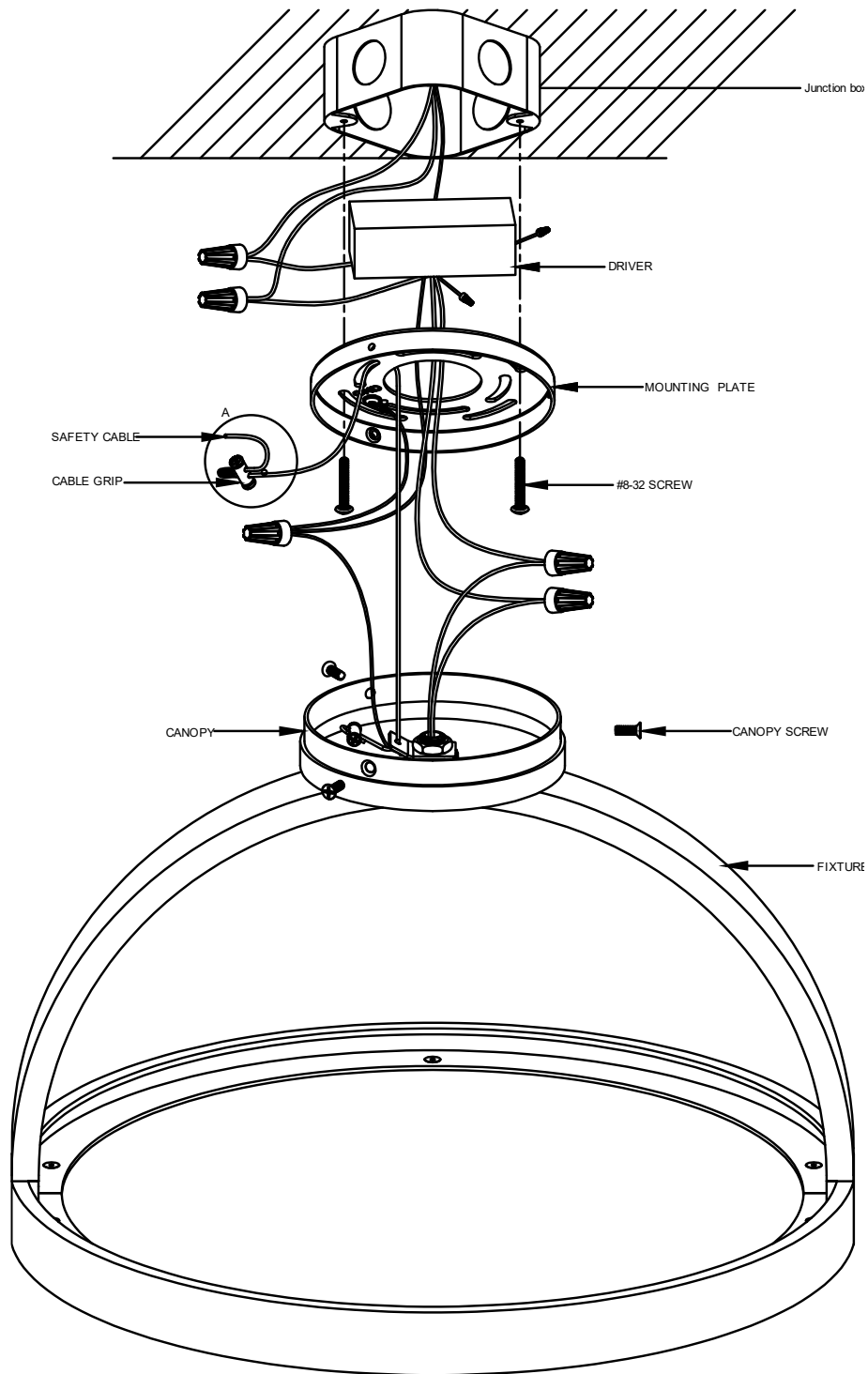
**SAVE THESE INSTRUCTIONS!**

### CAUTION-RISK OF FIRE

This product must be installed in accordance with the applicable installation code by a person familiar with the construction and operation of the product and the hazards involved.

**USE MINIMUM 90°C SUPPLY CONDUCTORS.**





## INSTRUCTIONS

### I. Preparation

1. Remove the mounting plate from the canopy by removing the screws on the side.

### II. Wiring the Fixture

1. Connect the following wires using a wire nut:
  - a) Input driver wire (white) to the neutral power line wire
  - b) Input driver wire (black) to the hot power line wire

### III. Additional Preparation

1. Place the driver into the junction box, ensuring that the driver output wires and the ground wire are accessible.
2. Install the mounting plate to the junction box with the two #8-32 screws (included).
3. Remove the cable grips (see the circled area of the diagram labeled **A**), pull the cable up and then down through the mounting plate, feed the cables through the cable grips, and then secure them to the mounting plate as shown.
4. Tighten the screws to secure the cables.

### IV. Continuing the Wiring

1. Connect the fixture to a suitable ground in accordance with local electrical codes.
2. Connect the following wires using a wire nut:
  - a) Negative (-) fixture wire to the negative (-) output driver wire
  - b) Positive (+) fixture wire to the positive (+) output driver wire
  - c) If 0-10V dimming is used, connect the purple and pink wires to a compatible dimmer.
  - d) If 0-10V dimming is not used, be sure to cap off these wires.

### V. Installing the Fixture

1. Neatly place the wires and wire nut connections inside the canopy.
2. Reinstall the canopy to the mounting plate by securing the screws on the side.