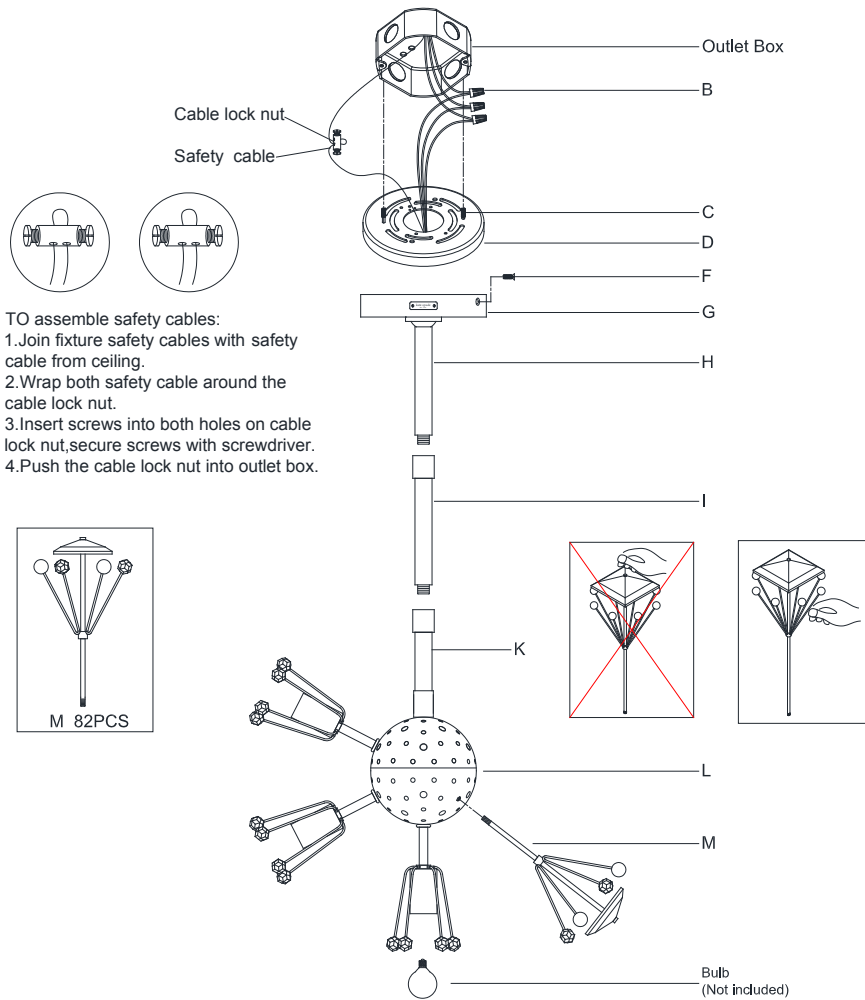


ASSEMBLY INSTRUCTIONS



TO assemble safety cables:

1. Join fixture safety cables with safety cable from ceiling.
2. Wrap both safety cable around the cable lock nut.
3. Insert screws into both holes on cable lock nut, secure screws with screwdriver.
4. Push the cable lock nut into outlet box.

Dickinson Small Pendant

Item # KS 5004

WE RECOMMEND INSTALLATION OF THIS LIGHTING FIXTURE BE DONE BY A LICENSED ELECTRICIAN.

WARNING*SWITCH OFF THE MAIN ELECTRICAL SUPPLY FROM THE MAIN FUSE BOX/CIRCUIT BREAKER BEFORE INSTALLATION.**

INSPECT ITEM CAREFULLY BEFORE ATTEMPTING TO INSTALL. IF THERE IS ANY DAMAGE OR OBVIOUS DEFECT. DO NOT INSTALL.

ITEM MAY NOT BE RETURNED ONCE IT HAS BEEN INSTALLED.

NOTE: CAREFULLY UNPACK EACH PIECE IN TOP LAYER OF PACKING PRIOR TO REMOVING. RETAIN ALL PACKING MATERIAL UNTIL INSPECTION AND INSTALLATION ARE FINAL.

1. Carefully remove all parts from the box.
2. Remove the mounting plate (D) from the canopy (G) by loosening the side screws (F).
3. Affix mounting plate (D) onto the outlet box and secure with mounting screws (C).
4. Thread the crystal flowers (M) to the metal ball (K).

IT IS IMPORTANT TO NOT ROTATE THE CRYSTAL DISC.

5. Insert bulbs (not included) into the sockets.
6. Thread stem (I) to the connector (K).
7. Thread stem (H) to the stem (I).
8. Cut the cord and ground wire about 6" length beyond the canopy.
9. Attach the Ground wire from the fixture (green or bare copper) to ground wire from outlet box with plastic wire connector (B).

IT IS IMPERATIVE THAT THIS FIXTURE BE GROUNDED.

10. Connect the Hot wire from the fixture (smooth edge, markings) to hot wire from the outlet box. Fasten them together with a plastic wire connector (B).
11. Repeat this procedure for the Neutral wire from the fixture (ribbed, no markings) to the neutral wire from the outlet box.

DO NOT REVERSE THE HOT AND NEUTRAL CONNECTIONS OR SAFETY WILL BE COMPROMISED.

12. Twist the wire connections neatly into the outlet box.
13. Put canopy (G) to the mounting plate (D), let the cut slot on mounting plate (D) match to the logo plate location on canopy (G), then secure with side screws (F).
14. Installation is complete, turn on power at fuse or circuit breaker.

***Clean with a dry, soft cloth only. Use no harsh abrasives or chemical agents.



VISUAL COMFORT & Co. Est. 1987