

INSTALLATION INSTRUCTION

Precision Multiples MT-4LD*, MT4LD*



IMPORTANT SAFETY INSTRUCTIONS

1. Read all instructions before installing.
2. System is intended for installation by a qualified electrician in accordance with the National Electrical Code and local regulations.
3. Go to the main fuse box, or circuit breaker. Place the main power switch in the "OFF" position and unscrew the fuse(s) or switch "OFF" the circuit breaker switch(es) that control the power to the fixture or room that you are working on.
4. Place the wall switch in the "OFF" position.

INSTRUCTIONS DE SÉCURITÉ IMPORTANTES

1. Lisez toutes les instructions avant d'installer.
2. Système est destiné à être installé par un électricien qualifié en conformité avec le code national de l'électricité et les règlements locaux.
3. Accédez au panneau central de disjoncteurs ou de fusibles de votre demeure et placez l'interrupteur principal en position d'arrêt («OFF»).
4. Placez l'interrupteur mural en position d'arrêt (« OFF »).

OVERVIEW:

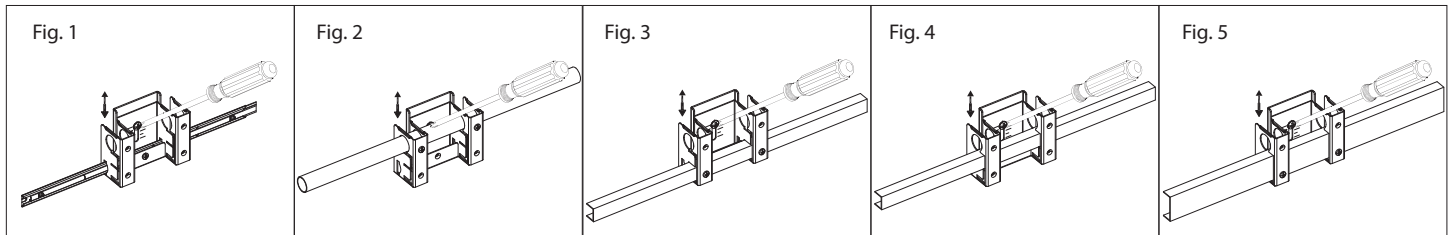
Housing is new construction and requires a trim or invisible trim.

Table 1 - HOUSING OVERVIEW

MODEL	DIMMING TYPE	IC RATING	INPUT VOLTAGE	POWER
MT-4LD*16N*	0-10V	Non-IC	120V-277V	15W
MT-4LD*16NE*	ELV	Non-IC	120V	15W
MT-4LD*11NE*	ELV	IC-Rated	120V	11W

MOUNTING:

1. Adjust the housing to proper height by loosening the wing nut on both adjustable brackets and set the basic plate so that the bottom edge of the frame is flush to the finished ceiling (Fig.1, Fig.2, Fig.3, Fig.4 and Fig.5) . Tighten the wing nut.



- a. With HANGER b. With ROUND CHANNEL (not included) c. With 1/2" CHANNEL (not included) d. With 3/4" CHANNEL (not included) e. With 1 1/2" CHANNEL (not included)

2. A. For hanger bar installation on grid:

Hanger bars are notched on the ends to fit over "T" bars in suspended ceilings. Support with tie wires (by others) to upper ceiling structure.

B. For hanger bar installation on joists:

Install the hanger bar and housing assembly such that the lip of the hanger bar rests on the bottom surface of the joists. Use a screw-driver or hammer to secure the "screw-nail" into the wood (See FIG. 6).

3. Slide the fixture along hanger bars into desired location. Lock into place by tightening screws (Fig. C).
4. The junction box is suitable for branch wiring and has trade size knockouts and integral non-metallic sheathed cable connectors.

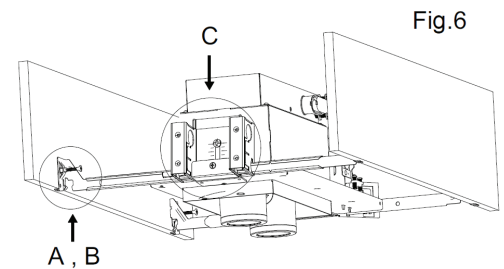


Fig. A

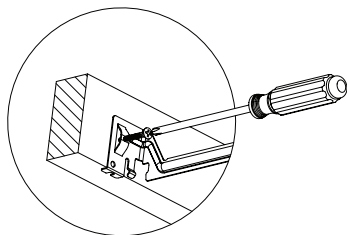


Fig. B

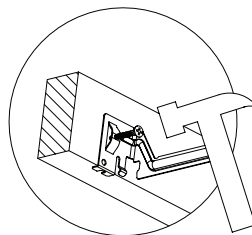
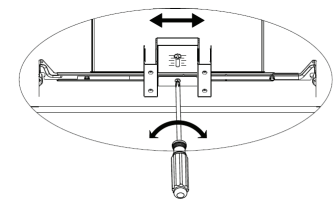


Fig. C



wacighting.com

Phone (800) 526.2588

Fax (800) 526.2585

Headquarters, East Manufacturing Facility

44 Harbor Park Drive

Port Washington, NY 11050

South East Manufacturing Facility

1600 Distribution Ct

Lithia Springs, GA 30122

Central Manufacturing Facility

1700 South J Elmer Freeway, Ste 100

Cedar Hill, TX 75104

West Manufacturing Facility

1750 S Archibald Ave

Ontario, CA 91761

INSTALLATION INSTRUCTION

Precision Multiples MT-4LD*, MT4LD*



WIRING

1. Remove spring latched junction box door and connect fixture wires to building wires; insert each supply wire into appropriate junction box connector. Connect black fixture wire to hot, white fixture wire to neutral and green fixture wire to ground.
2. For dimming type, refer to **Table 2**
For 0-10V compatible housings, wire purple(dim+) and grey or pink (dim-) in accordance to 0-10V dimmer specifications.
For ELV compatible housing, wire black (line hot) and white (line neutral) in accordance to ELV dimmer specifications. Purple and grey/pink wires are to be capped separately for ELV housings

Fig. 7

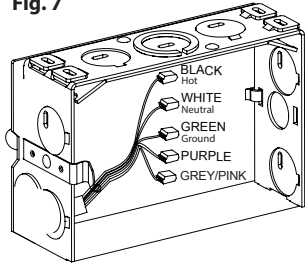


Table 2 - HOUSING OVERVIEW

MT-4LD*16N* 0-10V Dimming	MT-4LD*11NE*, MT-4LD*16NE* ELV dimming
Black - Line Hot White - Line Neutral Green - Ground Purple - 0-10V Dim+ (Cap if not dimming) Grey or Pink - 0-10V Dim- (Cap if not dimming)	Black - Line Hot White - Line Neutral Green - Ground Purple - Unused (Cap) Grey or Pink - Unused (Cap)

3. Use push-in type wire connectors supplied or wire nuts. Place all wiring and connectors back in wiring box and replace junction box door.

Table 3. Use template supplied to make appropriate cutout for trim installation.

MODEL	TRIM	CUTOUT	TRIMLESS	CUTOUT
MT-4LD116N*	MT-4LD116T*	5 1/8" X 5 1/8"	MT-4LD116TL-WT	5 1/8" X 5 1/8"
MT-4LD216N*	MT-4LD216T*	9 3/4" X 5 1/8"	MT-4LD216TL-WT	9 3/4" X 5 1/8"
MT-4LD316N*	MT-4LD316T*	14 1/2" X 5 1/8"	MT-4LD316TL-WT	14 1/2" X 5 1/8"
MT-4LD416N*	MT-4LD416T*	19 1/8" X 5 1/8"	MT-4LD416TL-WT	19 1/8" X 5 1/8"
MT-4LD226N*	MT-4LD226T*	9 3/4" X 9 3/4"	MT-4LD226TL-WT	9 3/4" X 9 3/4"

HOUSING PREPARATION

1. When installing in drywall, cut a hole in the drywall (see **Table 3** for cutout size).
If the housing is not sitting flush with the drywall, adjust the fixture according to the ceiling thickness by loosening the screws inside the housing. With the housing repositioned, re-tighten the screws (**Fig. 8**).

TO INSTALL TRIM

1. Raise the trim to the housing and attach two sides by securing the tension spring in the anchor cleat (as **Fig.9, Fig.10**).Push the trim flush up against the ceiling (**Fig.11**).

Fig. 8

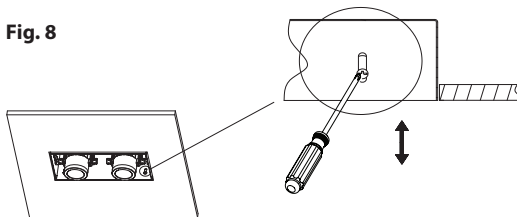


Fig. 9

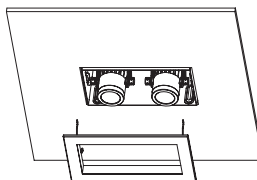


Fig. 10

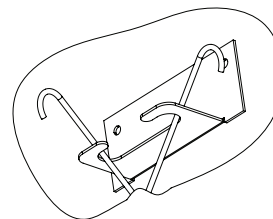
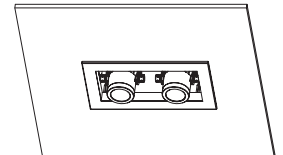


Fig. 11



wacighting.com
Phone (800) 526.2588
Fax (800) 526.2585

Headquarters, East Manufacturing Facility
44 Harbor Park Drive
Port Washington, NY 11050

South East Manufacturing Facility
1600 Distribution Ct
Lithia Springs, GA 30122

Central Manufacturing Facility
1700 South J Elmer Freeway, Ste 100
Cedar Hill, TX 75104

West Manufacturing Facility
1750 S Archibald Ave
Ontario, CA 91761

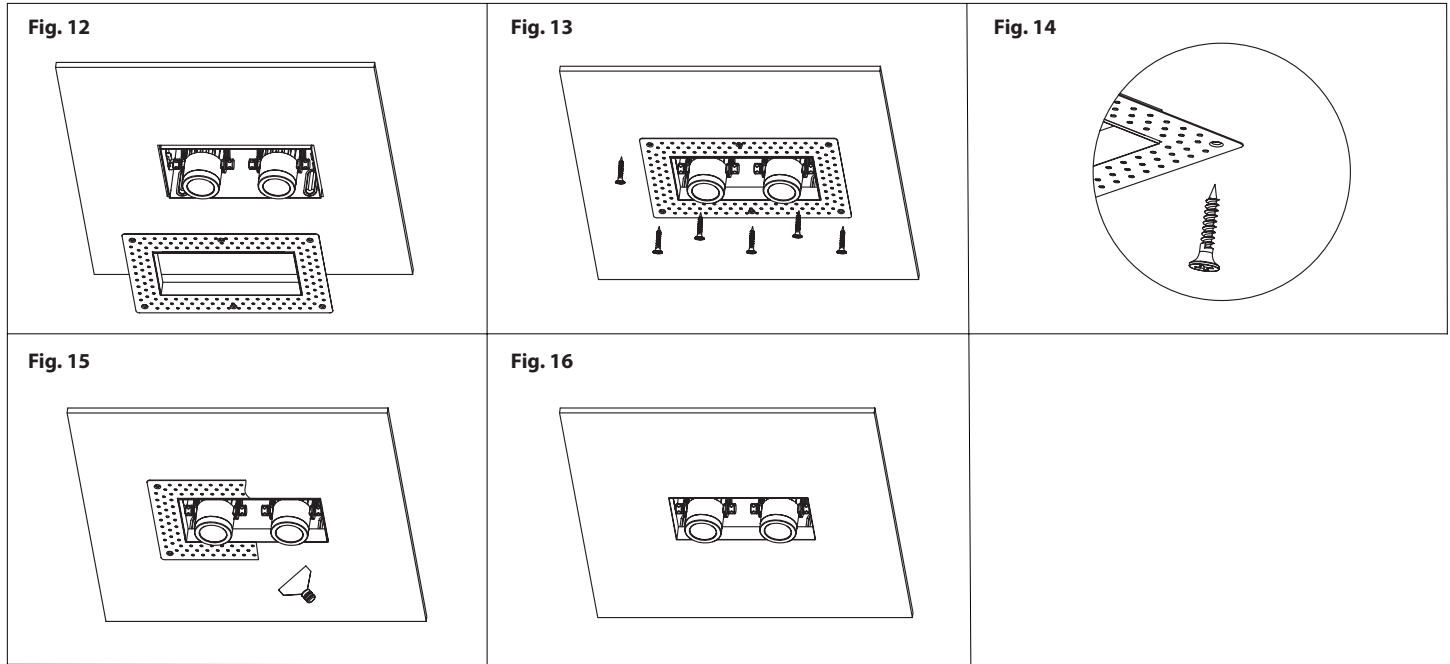
INSTALLATION INSTRUCTION

Precision Multiples MT-4LD*, MT4LD*

WAC

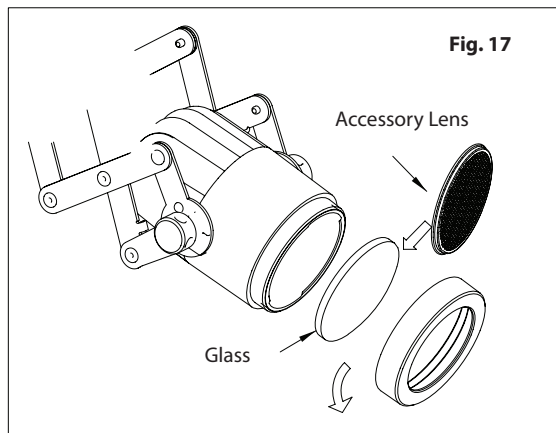
TRIMLESS INSTALLATION

1. Raise the screen panel to ceiling opening and secure with screws supplied (**Fig.12, Fig.13 and Fig.14**).
2. Apply plaster over the screen panel and sand surface when dry for a finished look (**Fig.15 and Fig.16**).
Take care to not get debris inside the housing.



ALTERNATE ACCESSORY LENSES

1. Twist the the lens ring counter clockwise to remove (hold with a lens or a accessory lens).
2. Replace the glass lens or other accessory lens (**Fig.17**).



wacighting.com
Phone (800) 526.2588
Fax (800) 526.2585

Headquarters, East Manufacturing Facility
44 Harbor Park Drive
Port Washington, NY 11050

South East Manufacturing Facility
1600 Distribution Ct
Lithia Springs, GA 30122

Central Manufacturing Facility
1700 South J Elmer Freeway, Ste 100
Cedar Hill, TX 75104

West Manufacturing Facility
1750 S Archibald Ave
Ontario, CA 91761