

INSTALLATION INSTRUCTION

J2 Track Systems

J2-T4, J2-T8, J2-T12

WAC LIGHTING

Responsible Lighting®

SAFETY INSTRUCTION

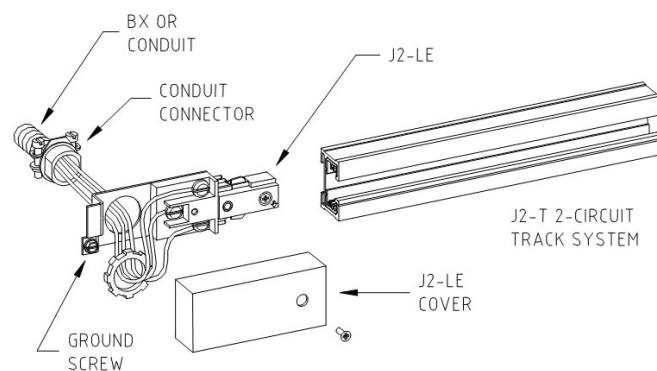
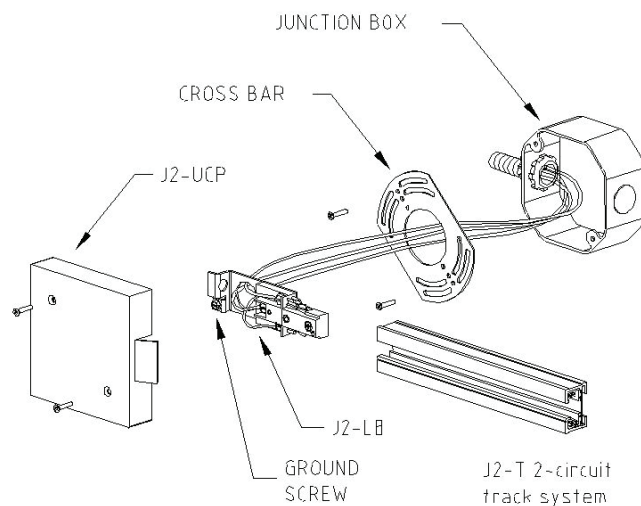
- Read all of these instructions before installing the track system.
- Turn off power at main switch before installing or modifying the system.
- Do not install within six inches of any curtain or combustible materials.
- Do not install less than 5 feet above a floor.
- Do not install in damp or wet locations.
- Do not install concealed, or extended through building walls.
- Do not attempt to energize anything other than a track light fixture.
- Do not connect a track to more than one branch circuit. Although track light systems may seem to operate acceptably, a dangerous overload of the neutral may occur and result in a risk of fire.
- Check with a qualified electrician before wiring.
- All installation shall be in accordance with NEC and all local codes
- Save these installation instructions and refer to them when additions or changes to the track configuration are made.

JUNCTION BOX ELECTRICAL FEED

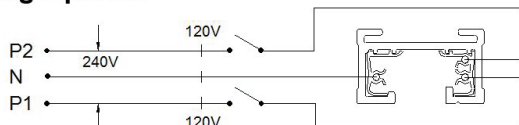
1. Parts J2-LE and J2-UCP are needed for junction box installation. Attach cross bar (supplied) to the junction box with two screws (supplied).
2. Mount track to ceiling or wall.
(See Track Mounting Instructions.)

LIVE END FEED

1. Insert live-end into track with arrow on live-end pointing toward polarity groove on track.
2. Remove live-end cover. Route wire through the live-end knock out hole. Secure wire connector to live end connector.
3. Fasten positive wire (hot wire) to gold screw terminal marked "P1". Fasten the second positive wire to the gold screw terminal marked "P2".
4. Fasten neutral wire to silver screw terminal marked "N".
5. Fasten ground wire (may be green or bare wire) from ceiling to green ground screw terminal on live-end.
6. Replace live-end cover and secure with screw.
7. Tighten track to ceiling.



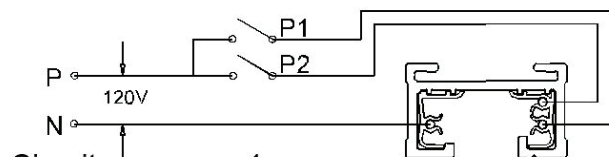
Wiring Options



Circuits : 2
Switches : 2
Maximum Amps: 40 Amps (20 Amps/circuit)

NOTE: DIMMING

Two-circuit track requires grounded neutral type dimmer switches.



Circuits : 1
Switches : 2
Maximum Amps: 20 Amps

WAC Lighting
www.waclighting.com
Phone (800) 526.2588 • Fax (800) 526.2585

Headquarters/Eastern Distribution Center
44 Harbor Park Drive • Port Washington, NY 11050
Phone (516) 515.5000 • Fax (516) 515.5050

Western Distribution Center
1750 Archibald Ave • Ontario, CA 91761
Phone (800) 526.2588 • Fax (800) 526.2585

INSTALLATION INSTRUCTION

J2 Track Systems

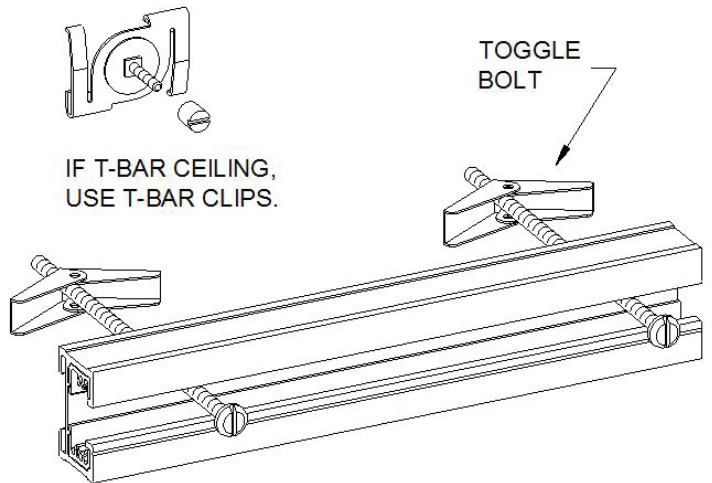
J2-T4, J2-T8, J2-T12

WAC LIGHTING

Responsible Lighting®

MOUNTING TRACK

1. Raise track assembly to ceiling. Mark mounting hole locations.
2. Drill holes suitable for the fasteners you intend to use at marked mounting locations. Toggle wings (supplied) require 1/2 inch holes.
3. Insert toggle wings through holes. Screw bolts (supplied) into toggle wings 2 or 3 turns.
4. Push toggle wings into holes. Do not tighten toggle bolts until all electrical connections are made.



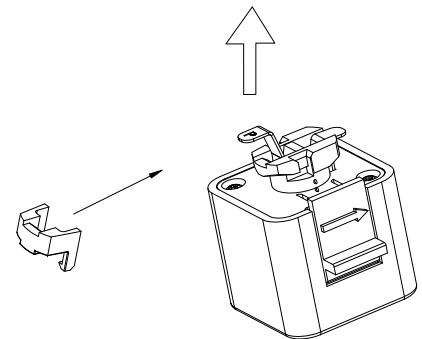
FIXTURE INSTALLATION

Circuit no.1 (lower circuit)

1. Insert fixture into the track.
2. Rotate adapter 90° till arrow points to polarity line on the track.

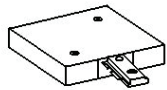
Circuit no.2 (upper circuit)

1. Pull the copper tab marked "P" with a screw driver..
2. Insert the plastic clip supplied under the copper tab marked "P".
3. Insert fixture into the track.
4. Rotate adapter 90° till arrow points to polarity line on the track.

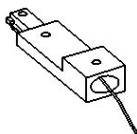


OTHER TWO CIRCUIT TRACK CONNECTORS AVAILABLE:

- J2-BXLE Live end for straight conduit feed.
- J2-I Connects two track sections in a straight line.
- J2-IPWR "I" straight line power connector.
- J2-IDEC "I" dead end straight connector.
- J2-LE Live end connector.
- J2-LLEFT Left "L" connector, joins two track sections to make a 90° angle.
- J2-LRIGHT Right "L" connector, joins two track sections to make a 90° angle.
- J2-T Joins three track sections.
- J2-X Joins four track sections.
- J2-FLX Connects two tracks at variable angles.
- J2-TBLE Live end connector for installation on T-BAR for a drop ceiling.
- J2-UCP Covers a junction box.



J2-TBLE



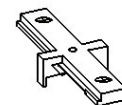
J2-BXLE



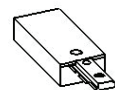
J2-I



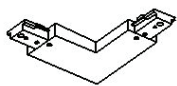
J2-IPWR



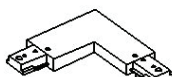
J2-IDEC



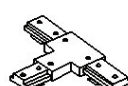
J2-LE



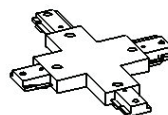
J2-LRIGHT



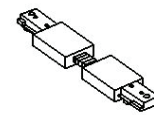
J2-LLEFT



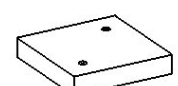
J2-T



J2-X



J2-FLX



J2-UCP

WAC Lighting

www.waclighting.com

Phone (800) 526.2588 • Fax (800) 526.2585

Headquarters/Eastern Distribution Center

44 Harbor Park Drive • Port Washington, NY 11050

Phone (516) 515.5000 • Fax (516) 515.5050

Western Distribution Center

1750 Archibald Ave • Ontario, CA 91761

Phone (800) 526.2588 • Fax (800) 526.2585