

Lil Wok

700LMPCO_

1.6

VISUAL COMFORT & Co.

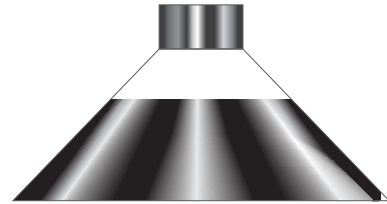
MODERN COLLECTION

GENERAL PRODUCT INFORMATION:

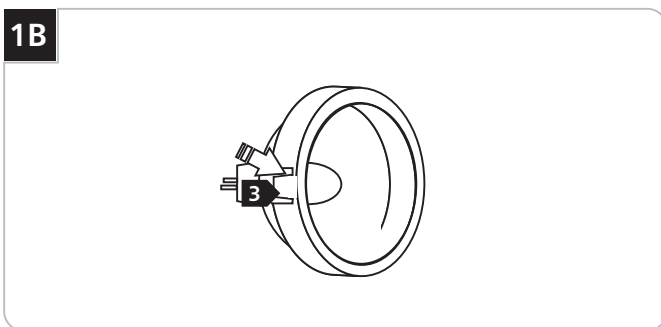
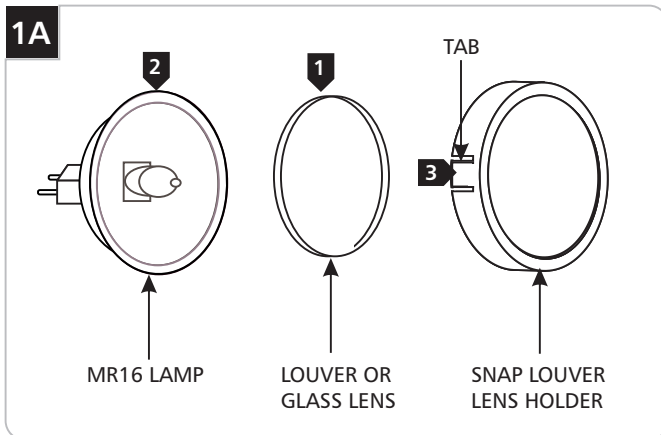


This product is suitable for indoor dry locations only.

This product must be used with Tech Lighting systems only.



Installing the Lil Wok

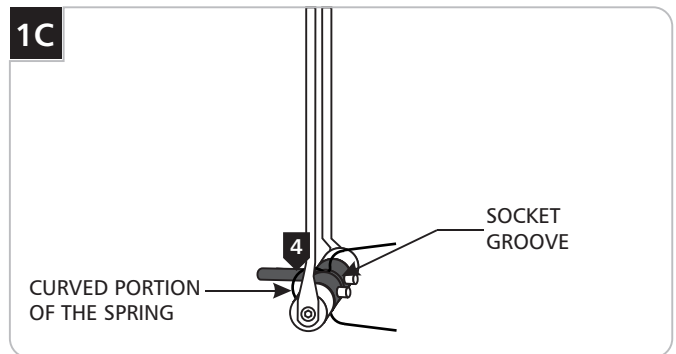


Use **MAX 50 Watt MR16 Front Cover Halogen Lamp** with Silver, Gold, & Black Colors.

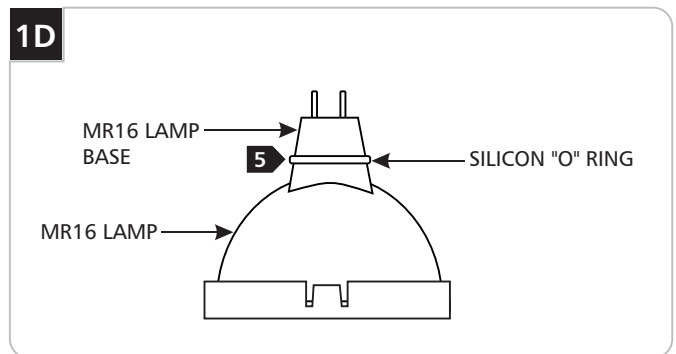
Use **MAX 20 Watt MR16 Front Cover Halogen Lamp** With All Other Colors.



- 1 Place the louver or the glass lens (optional) into the Snap Louver Lens Holder.
- 2 Place the MR16 lamp into the Snap Louver Lens Holder.
- 3 Press the tabs on both sides of the Snap Louver Lens Holder against the MR16 lamp to keep it in the position.

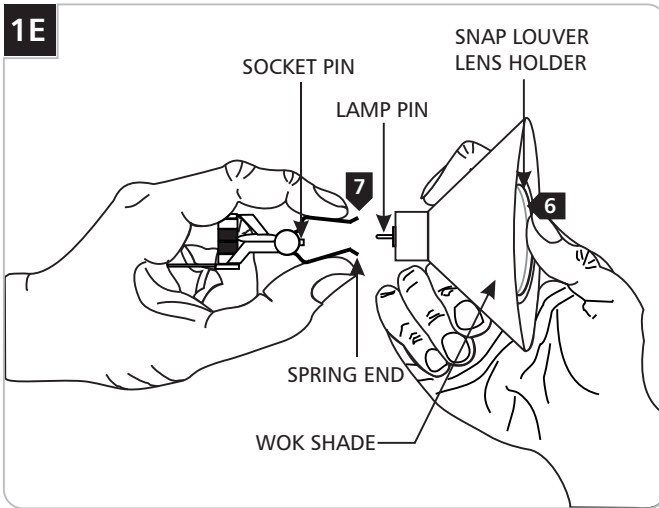


- 4 Snap the curved portion of the spring into the socket groove.



- 5 Put the silicon ring over the MR16 lamp base.

1E



- 6 Place the Snap Louver Lens Holder assembly into the Lil Wok shade.
- 7 With the other hand squeeze the spring ends towards each other; meanwhile, place the spring ends into the Lil Wok shade and push the lamp pins all the way into the socket pins.

SAVE THESE INSTRUCTIONS!

VISUAL COMFORT & CO.

7400 Linder Ave, Skokie, IL 160077

800.969.3347

www.visualcomfort.com

©2023 Visual Comfort & Co.. All rights reserved. The Visual Comfort & Co. logo is a registered trademark of Visual Comfort & Co. Visual Comfort & Co. reserves the right to change specifications for product improvements without notification