

Round & Cone Glass Shields

700LICO_ , 700MR16G_ 1.6

VISUAL COMFORT & Co.

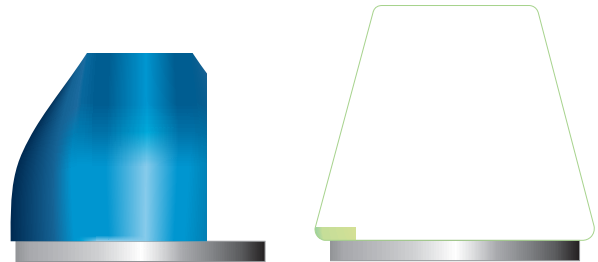
MODERN COLLECTION

GENERAL PRODUCT INFORMATION:

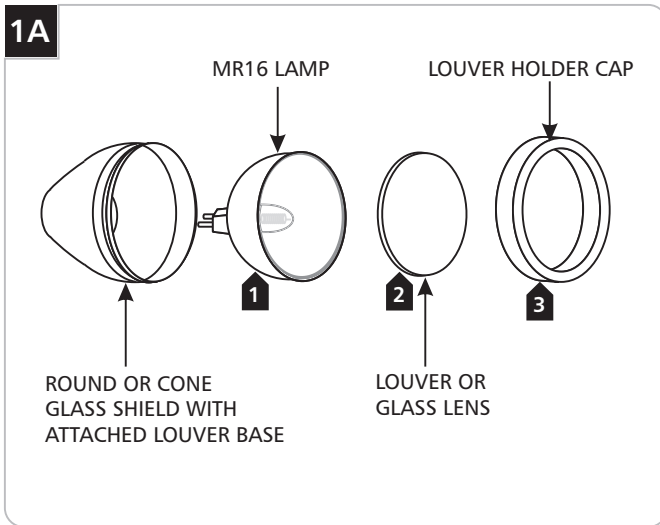


This product is suitable for indoor dry locations only.

This product must be used with Tech Lighting system only.

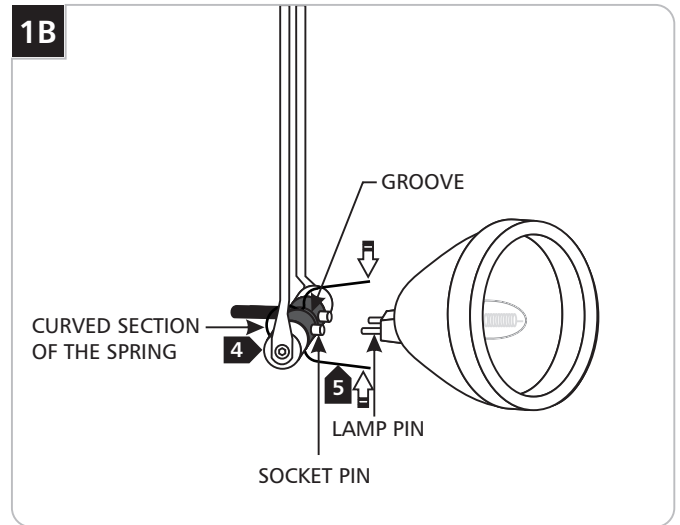


Installing the Glass Shield to a Fixture with a MR16 Socket



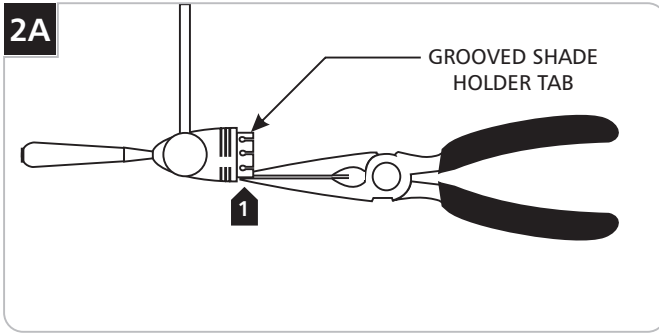
Use **MAX 50 Watt MR16 Front Cover Halogen Lamp.**

- 1** Place the MR16 lamp into the glass shield with attached louver base.
- 2** Place the louver or glass lens on front of the MR16 lamp.
- 3** Screw the louver holder cap completely onto the louver base.

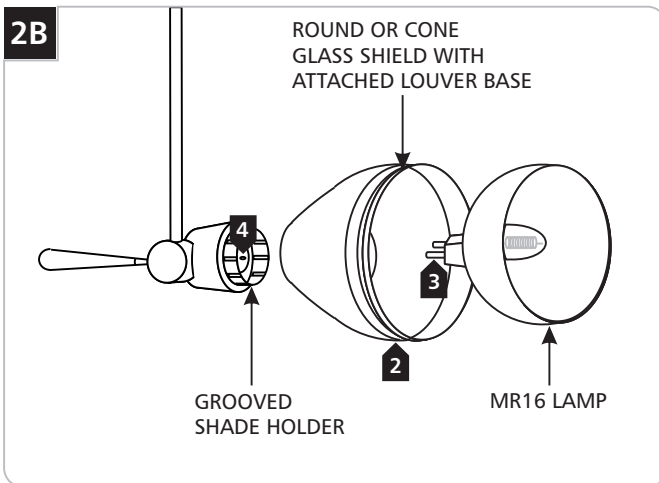



- 4** Snap the spring onto the groove in the middle of the MR16 socket.
- 5** Squeeze the spring ends together and feed them through the glass shield assembly; simultaneously push the lamp pins all the way into the socket pins.

Installing the Glass Shield to Aero Fixture Type Socket

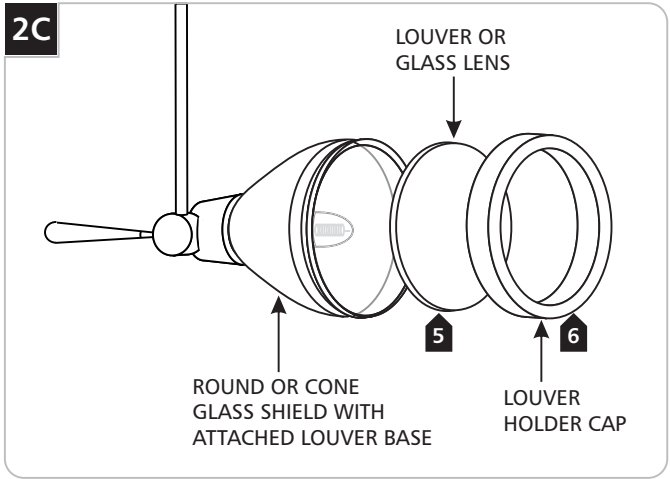


- 1 If the glass shield fits tight onto the fixture, then carefully bend the grooved shade holder tabs in slightly with the needle-nose pliers. If it fits loose, then carefully bend the grooved shade holder tabs out slightly with the needle-nose pliers.



Use **MAX 50 Watt MR16 Front Cover Halogen Lamp.** 

- 2 Place the MR16 lamp into the glass shield.
- 3 Line the lamp pins up with the socket holes.
- 4 Push the lamp pins all the way into the socket holes; simultaneously push the glass shield onto the groove shade holder.



- 5 Place the louver or glass lens on front of the MR16 lamp.
- 6 Screw the louver holder cap completely onto the louver base.

SAVE THESE INSTRUCTIONS!

VISUAL COMFORT & CO.
7400 Linder Ave, Skokie, IL 160077
800.969.3347

www.visualcomfort.com
©2023 Visual Comfort & Co.. All rights reserved. The Visual Comfort & Co. logo is a registered trademark of Visual Comfort & Co. Visual Comfort & Co. reserves the right to change specifications for product improvements without notification