

Plug Option

700A1_ 1.7

VISUAL COMFORT & Co.

MODERN COLLECTION

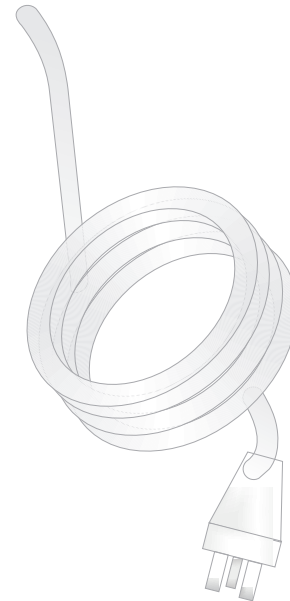
GENERAL PRODUCT INFORMATION:



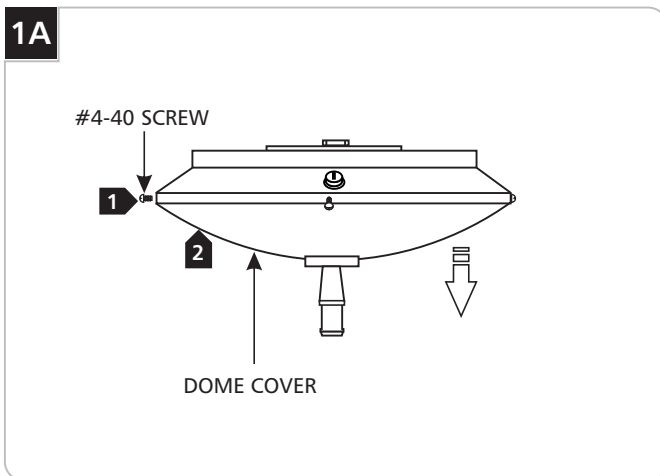
This product is suitable for indoor dry locations only.

A typical installation is shown. Specific installation must be in accordance with the local electrical codes.

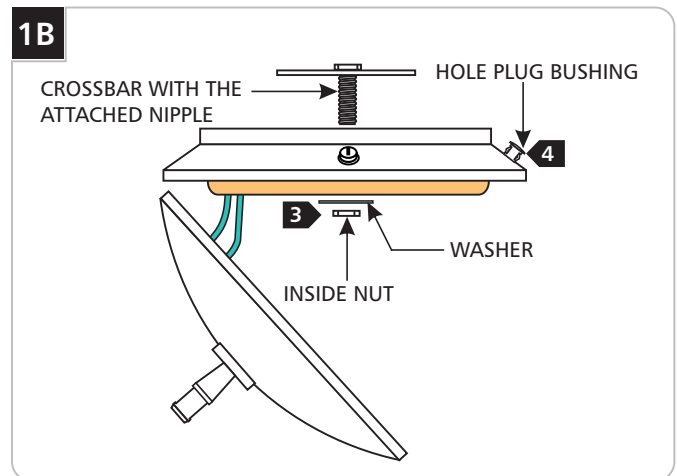
This product is intended for use with Tech Lighting low voltage lighting systems only.



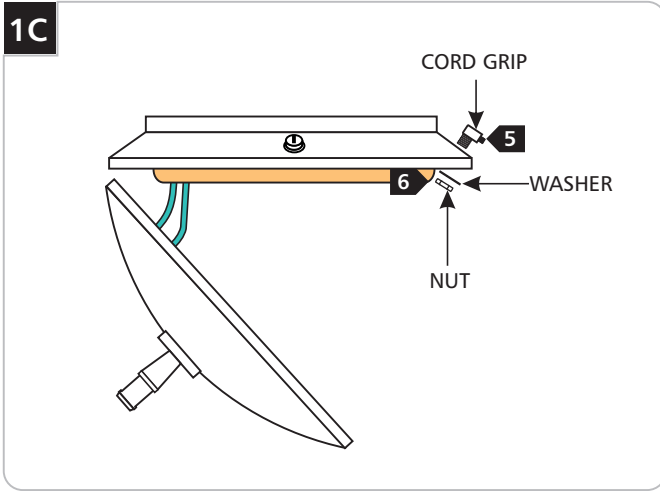
Install the Plug Option to Magnetic Surface Transformers



- 1** On side of the transformer dome cover, remove the #4-40 screws with a Phillips head screwdriver.
- 2** Lift the dome cover off of the transformer housing.

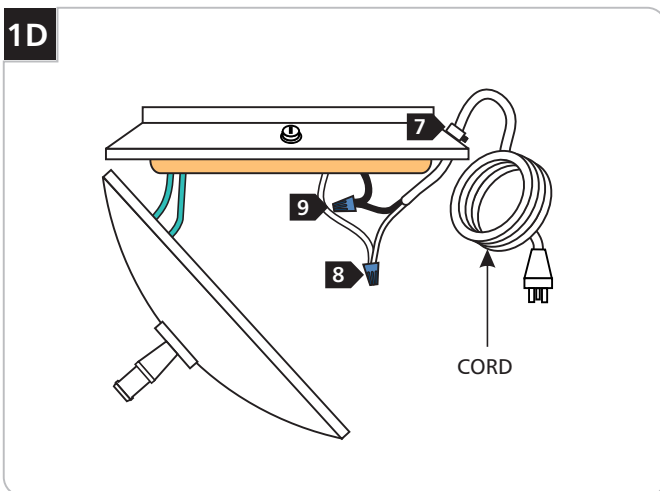


- 3** Remove the inside nut and washer to remove the crossbar with the attached nipple.
- 4** Remove the hole plug bushing.



5 From outside of the transformer housing, insert the cord grip into the hole.

6 From the inside of the transformer housing, secure the cord grip with the washer and nut.



7 Feed the cord through the cord grip into the transformer housing. Tighten the slotted set screw with a flat head screwdriver to hold the cord in place.

8 Connect the cord white wire to the 120 volt transformer white wire with a wire nut.

9 Connect the cord black wire to the 120 volt transformer black wire with a wire nut.

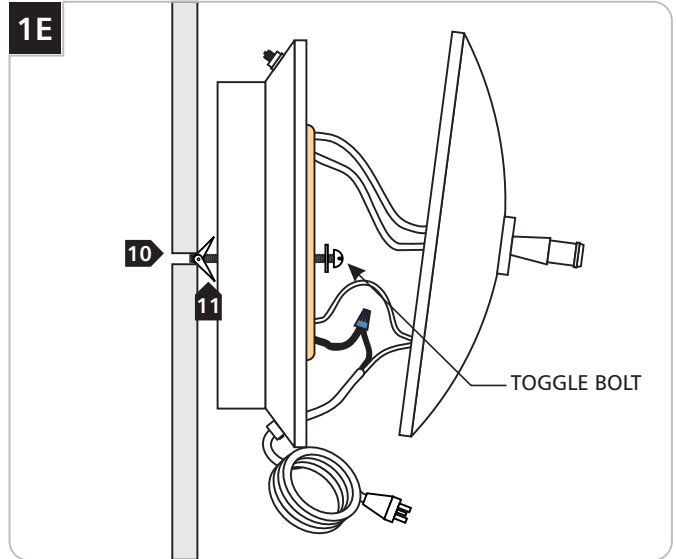
VISUAL COMFORT & Co.

7400 Linder Ave, Skokie, IL 160077

800.969.3347

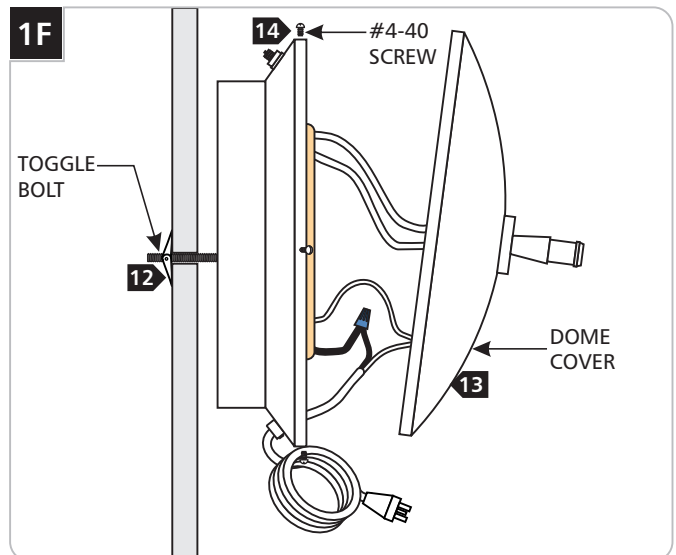
www.visualcomfort.com

©2023 Visual Comfort & Co.. All rights reserved. The Visual Comfort & Co. logo is a registered trademark of Visual Comfort & Co. Visual Comfort & Co. reserves the right to change specifications for product improvements without notification



10 Drill a 3/8" hole on the wall where the transformer is to be mounted.

11 Push the toggle bolt through the transformer center hole.



12 Tighten the toggle bolt screw to secure the transformer.

13 Replace the dome cover onto the transformer housing. Line the dome cover holes up with the transformer housing holes.

14 Replace and tighten the #4-40 Phillips head screws.

15 Refer to the instruction provided with the transformer to connect the transformer to the system.

SAVE THESE INSTRUCTIONS!