

Conducting Connectors

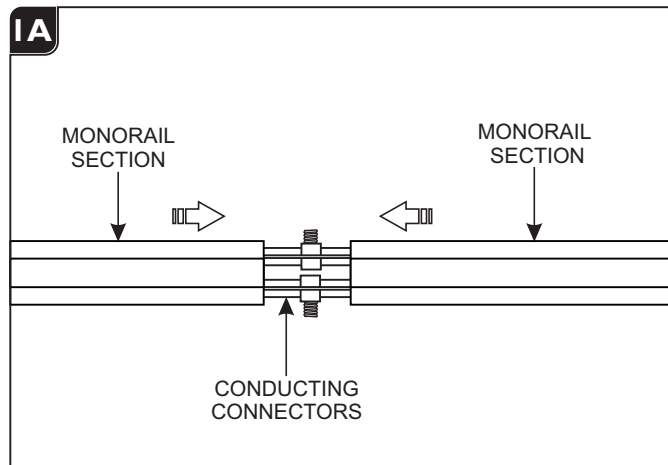
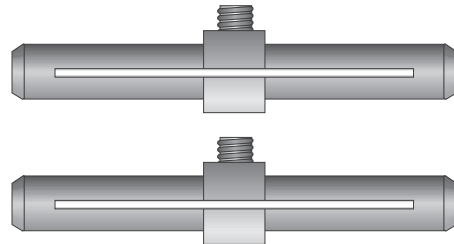


CONNECTORS

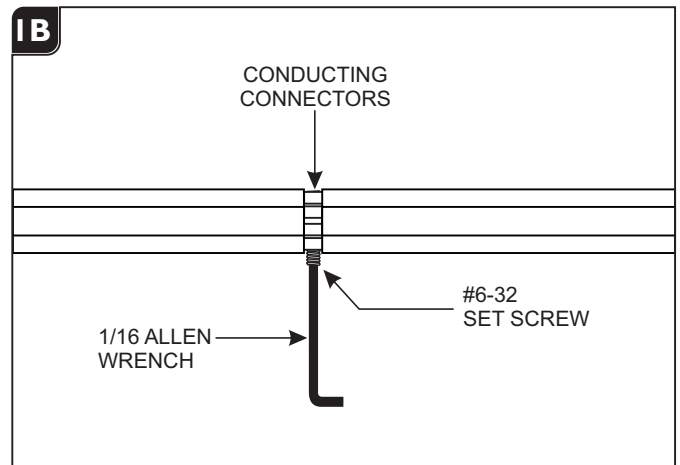
GENERAL PRODUCT INFORMATION:



This product is suitable for dry locations only.



1 Push the two MonoRail sections completely onto the conducting connectors.



2 Tighten the #6-32 set screws firmly with the provided 1/16 Allen wrench. Do not overtighten the set screws or the threads may strip.

SAVE THESE INSTRUCTIONS!



7400 Linder Ave, Skokie, IL 60077

847.410.4400

www.techlighting.com

© 2020 Tech Lighting, L.L.C. All rights reserved.

Visual Comfort & Co.