

VISUAL COMFORT & Co.

MODERN COLLECTION



GENERAL PRODUCT INFORMATION:



These fixtures are intended to be installed utilizing NEC compliant junction boxes.

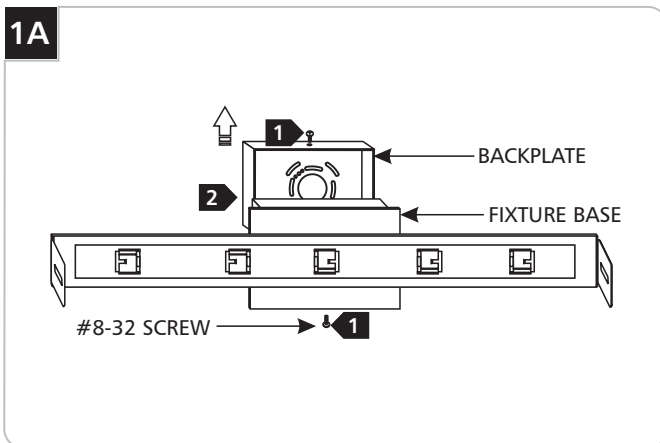
This product is suitable for damp locations.

This product can be dimmed with a standard incandescent dimmer.

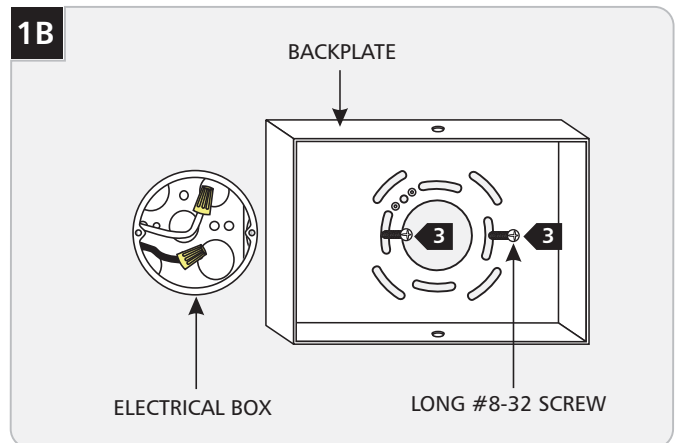
This product can be mounted vertically or horizontally

CAUTION - RISK OF FIRE
 This product must be installed in accordance with the applicable installation code by a person familiar with the construction and operation of the product and the hazards involved.
Use minimum 90°C supply conductors.

Install the Backplate

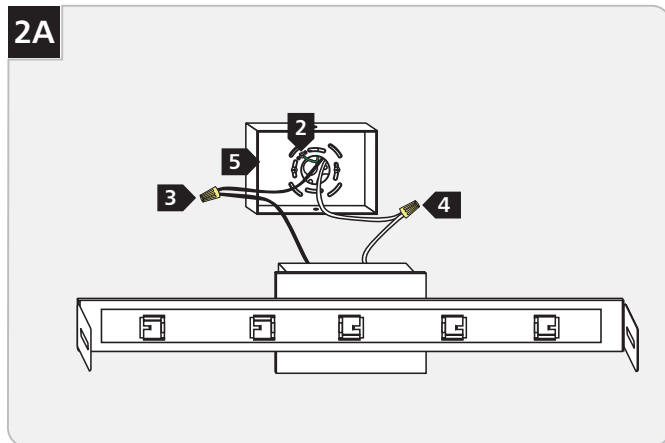


- 1** Remove the two #8-32 screws on the backplate with a Phillips head screwdriver.
- 2** Remove the backplate from the fixture base.

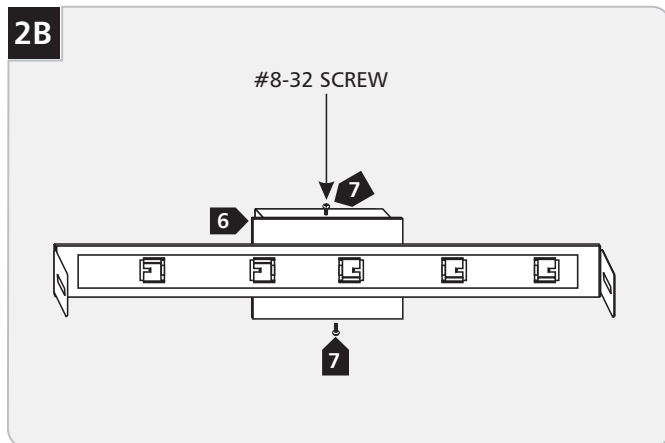


- 3** Mount the backplate to the electrical box with two long #8-32 screws.

Connect the Power

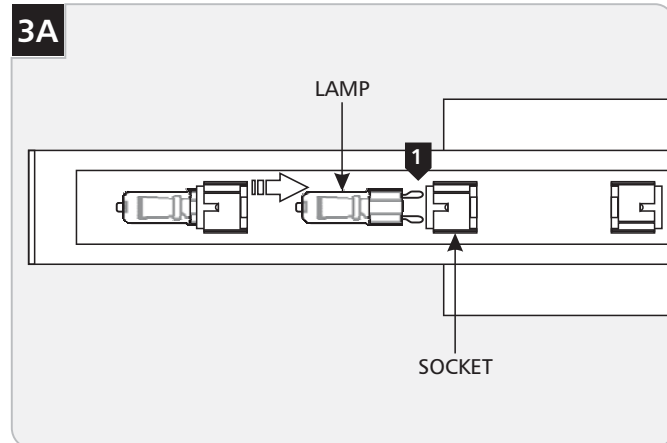


- 1 Turn the power to the electrical box off.
- 2 Make sure that the backplate is grounded in accordance with local electrical codes.
- 3 Connect the black fixture wire(s) to the hot power line wire with a wire nut.
- 4 Connect the white fixture wire(s) to the neutral power line wire with a wire nut.
- 5 Properly place all wires into the backplate.



- 6 Place the fixture base onto the backplate and align the holes.
- 7 Replace and tighten the #8-32 screws.

Install the Lamps and Shade

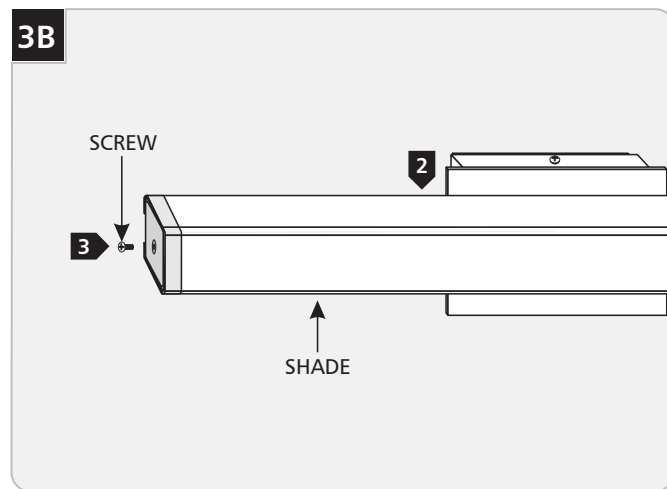


CAUTION: To reduce the risk of a burn or electric shock during relamping, disconnect the power to the fixture by turning the wall switch off.

Use **MAX** 120 Volt, **40 Watt** G9 type, G9 base Halogen lamp with each socket.



- 1 Push each lamp completely into its socket.



- 2 Carefully slide the shade onto the fixture base.
- 3 Install the screws to the ends of the shade to hold the shade in place.

SAVE THESE INSTRUCTIONS!

VISUAL COMFORT & CO.

7400 Linder Ave, Skokie, IL 160077

800.969.3347

www.visualcomfort.com

©2023 Visual Comfort & Co.. All rights reserved. The Visual Comfort & Co. logo is a registered trademark of Visual Comfort & Co. Visual Comfort & Co. reserves the right to change specifications for product improvements without notification