

Parallax Linear Suspension

700LSPRLX_

1.1

VISUAL COMFORT & Co.

MODERN COLLECTION

GENERAL PRODUCT INFORMATION:

These fixtures are intended to be installed utilizing NEC compliant junction boxes.

This product is suitable for damp locations.

This instruction shows a typical installation.



CAUTION - RISK OF FIRE

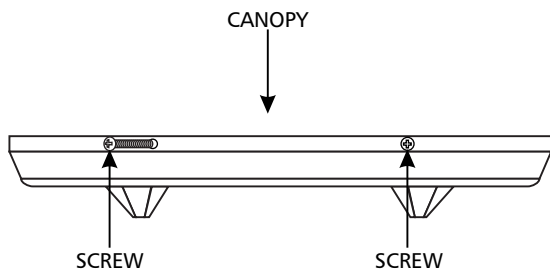
This product must be installed in accordance with the applicable installation code by a person familiar with the construction and operation of the product and the hazards involved.

Use minimum 90°C supply conductors.

SAVE THESE INSTRUCTIONS!

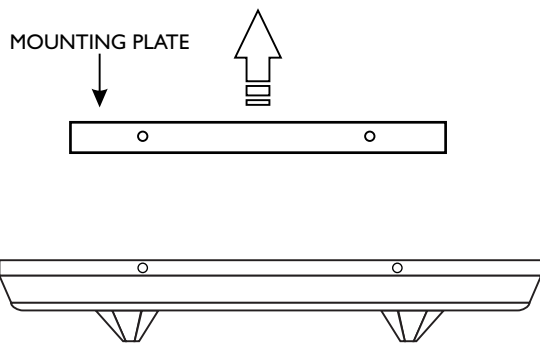
Install the Mounting Plate

1A



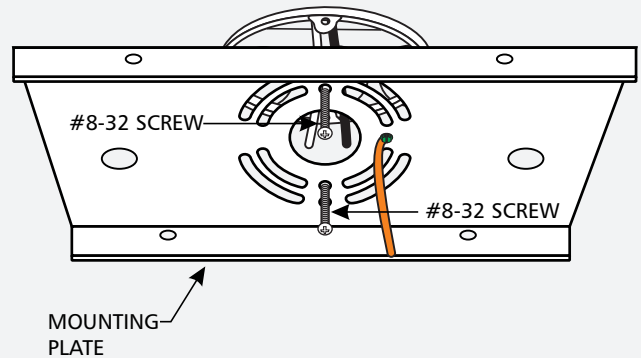
1 Separate the mounting plate from the canopy by removing all four screws.

1B

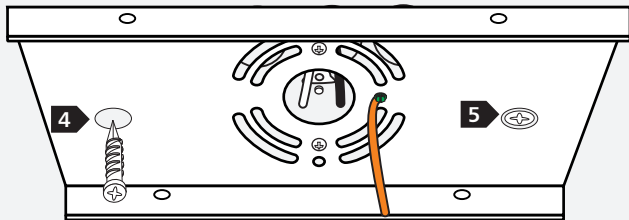


2 Remove the mounting plate from the canopy.

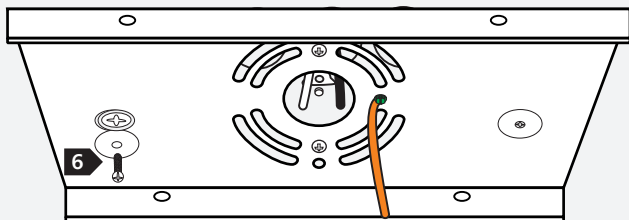
1C



3 Secure the mounting plate to the electrical box with the two #8-32 screws provided.

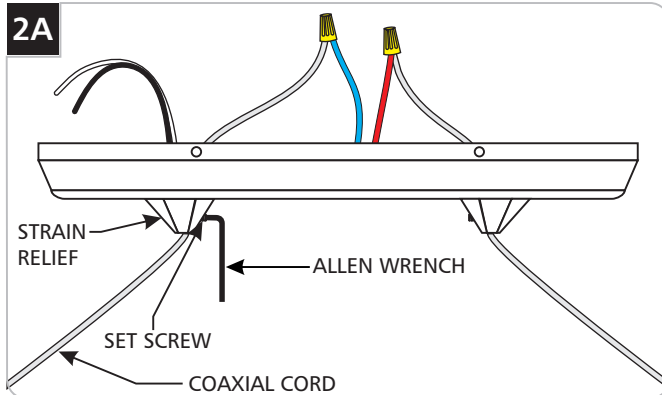
1D

- 4 Line up an anchor with the center of a backplate hole and push the anchor in up to the threads.
- 5 Screw the anchor the rest of the way in with a screwdriver.

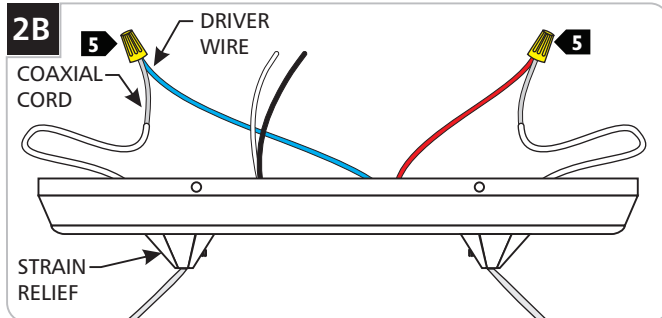
1E

- 6 Secure the backplate to the anchor with a screw and washer.
- 7 Repeat steps 4-6 for the remaining anchor hole.

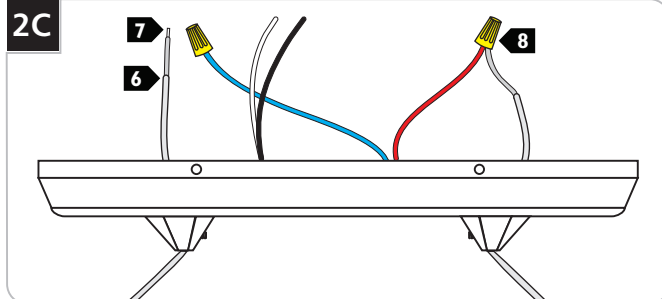
Adjust the Height (optional)

2A

- 1 Place the fixture on a level surface.
- 2 With the provided Allen wrench, loosen (do not remove) the set screws on the strain reliefs.
- 3 Evenly pull the coaxial cables up through the strain reliefs to raise the fixture to the desired height. **NOTE:** Take caution to not remove the inner bushing from inside the strain relief while pulling the coaxial cord through.
- 4 Ensure that the canopy is level and re-tighten the set screws on the strain reliefs.

2B

- 5 If shortening of the coaxial cords is necessary, take note of the wire connections from the coaxial cables to the driver and remove the wire nuts.

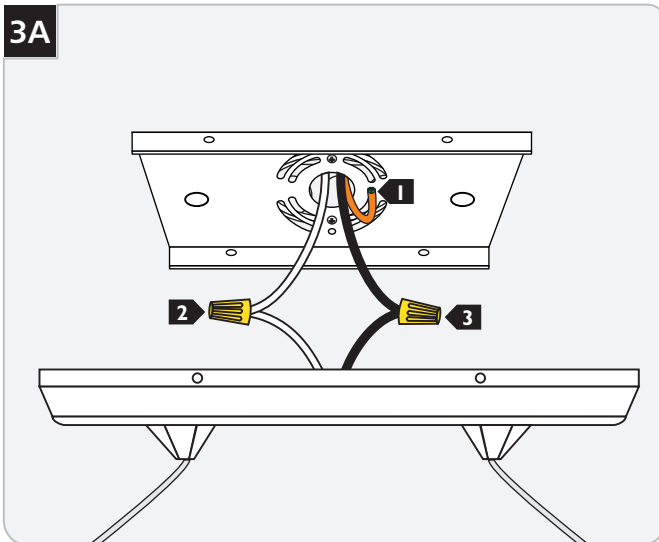
2C

- 6 Leave 6" behind for wire connections, cut off the excess cord.
- 7 From the end of the cord, strip the insulation 4" using a sharp knife. **Make sure not to nick the inner wires.**
- 8 Strip the ends of the wires and reconnect the wires to their original connections using the wire nuts.

Install the Fixture to the Canopy

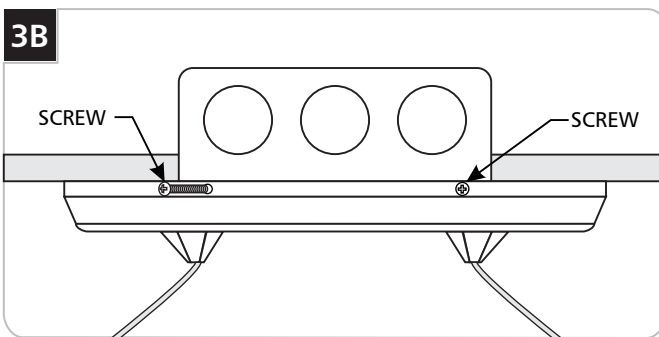
NOTE: It is recommended that one person hold the fixture while the electrician connects the power and installs the canopy.

3A



- 1 Connect the fixture to a suitable ground in accordance with local electrical codes.
- 2 Connect the white driver wire to the neutral power line wire with a wire nut.
- 3 Connect the black driver wire to the hot power line wire with a wire nut.

3B



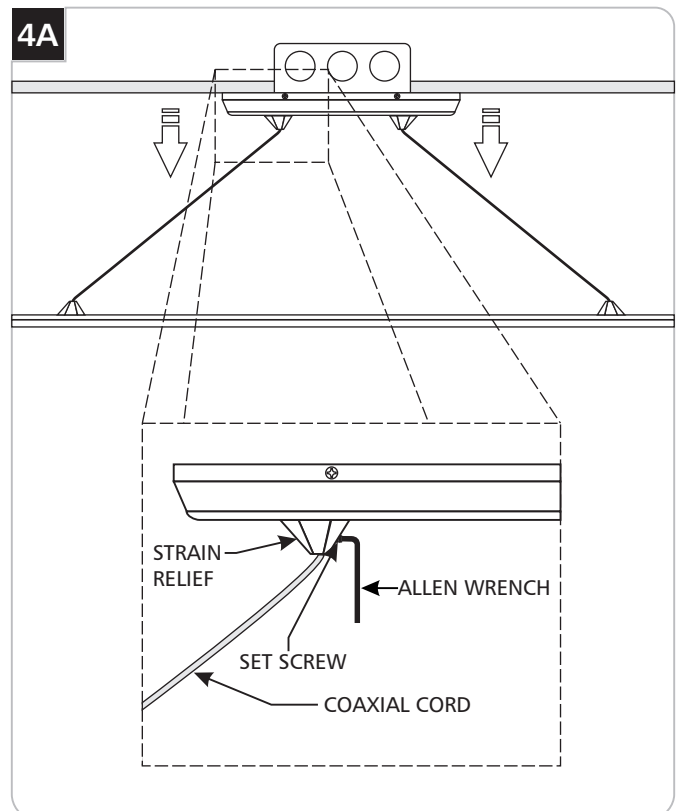
- 4 Place all wires and wire nut connections inside the canopy.
- 5 Align the canopy holes with the crossbar holes. Secure the canopy in place by tightening the four screws.

Additional Leveling (optional)

NOTE: If necessary, adjustment of the fixtures leveling may be necessary. It is recommended that one person hold the fixture straight with the use of a level while the other shortens the coaxial cable.

CAUTION: Only pull out extra cable for leveling if enough cord was left being the canopy. Minimal amounts of cord should be pulled out for fine leveling.

4A



- 1 Using the provided Allen wrench, loosen (do not remove) the set screws on the needed strain relief.
- 2 Evenly and gently pull the coaxial cable, in very small increments, through the strain relief to lower whichever side of the fixture.
- 3 Ensure that the canopy is level and re-tighten the set screws on the strain relief.

VISUAL COMFORT & CO.

7400 Linder Ave., Skokie, IL 60077

T 847.410.4400 | F

847.410.4500

www.visualcomfort.com