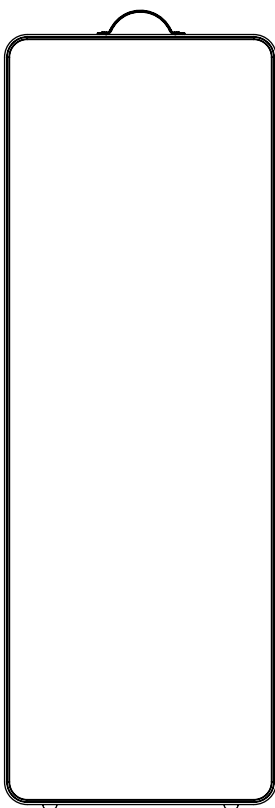


Norm Floor Mirror by Norm Architects



MENU

Components

Leather Handle x 1



Screw for Handle x 1



Hook x 1



Rawplug for Hook x 1



Screw for Mounting x 2



Rawplug for Mounting x 2



Disc x 4



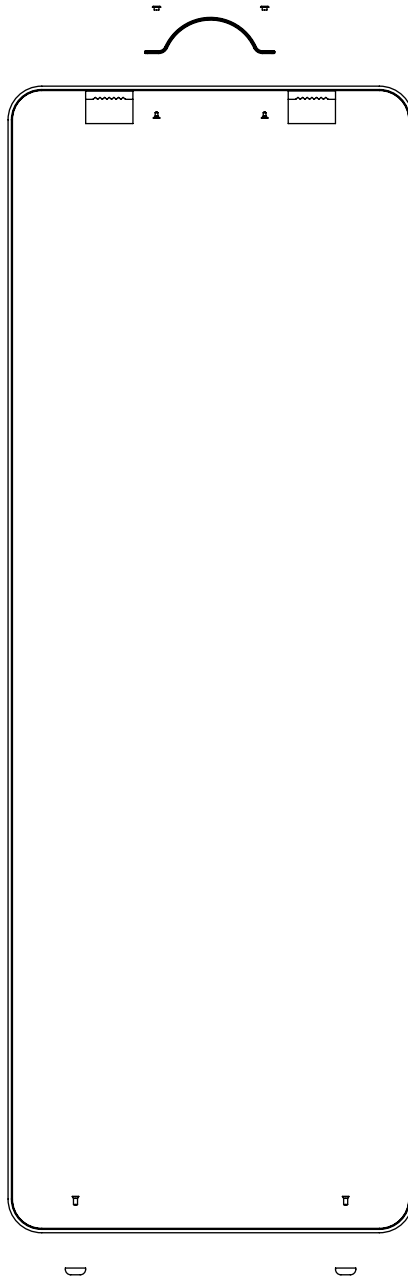
Feets x 2



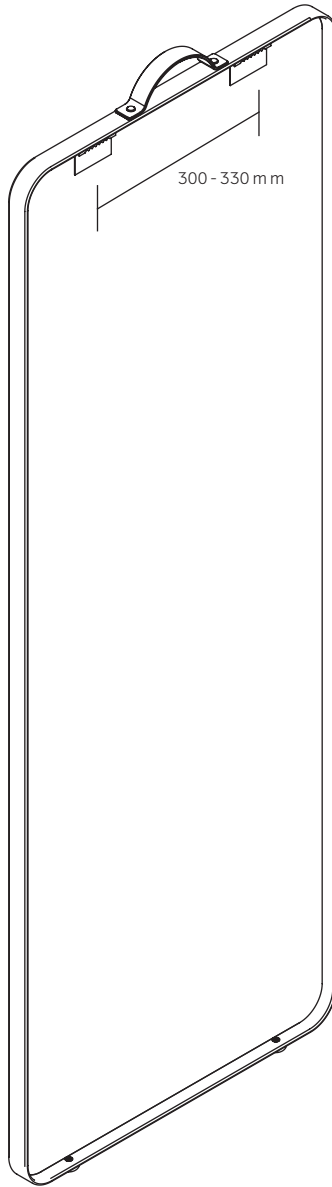
Use screws and wall plugs that are suitable for the walls in your home. If you are uncertain as to which types of screws/wall plugs to use, you should ask your hardware store.

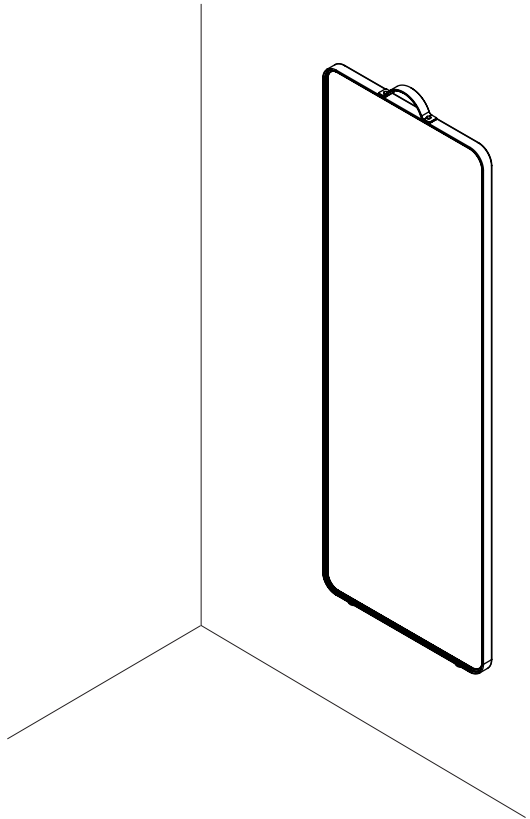
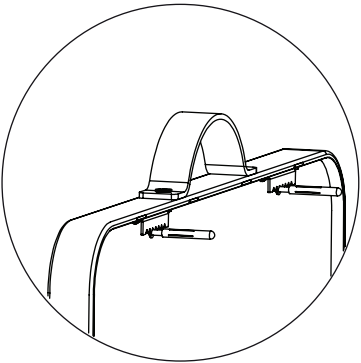
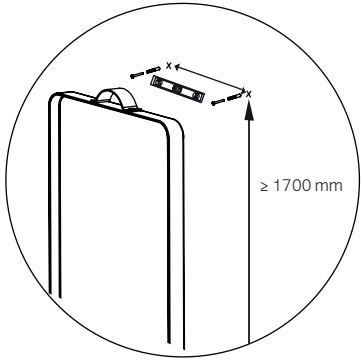
WARNING: For safety reasons always secure the mirror to the wall.

Exploded View



1





3

